

NOTES: UNLESS OTHERWISE SPECIFIED
 1. DRAWING PREPARED IN ACCORDANCE WITH MIL-STD-100.
 2. INTERPRET 3RD ANGLE PROJECTION.
 3. DIMENSIONING AND SYMBOLS PER ASME Y14.5M-1994.

REVISIONS				
ZONE	REV.	DESCRIPTION	CHNG / DATE	APVD / DATE

D

C

B

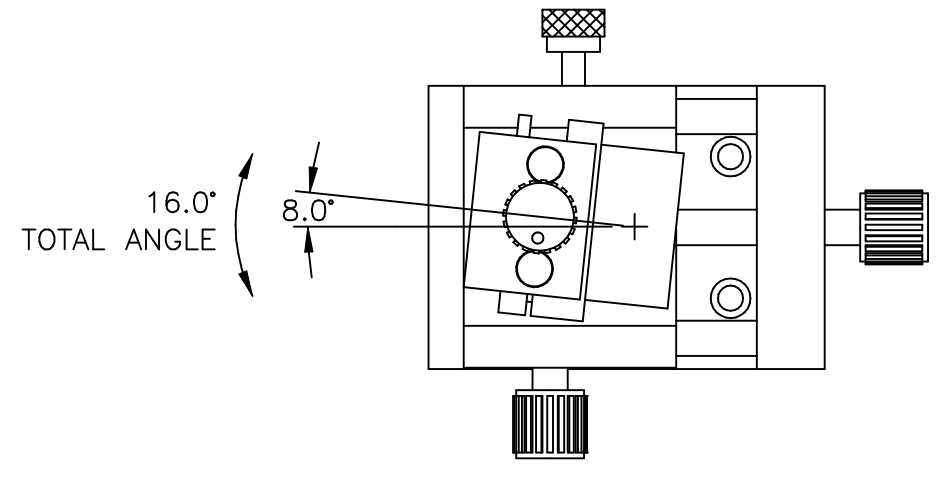
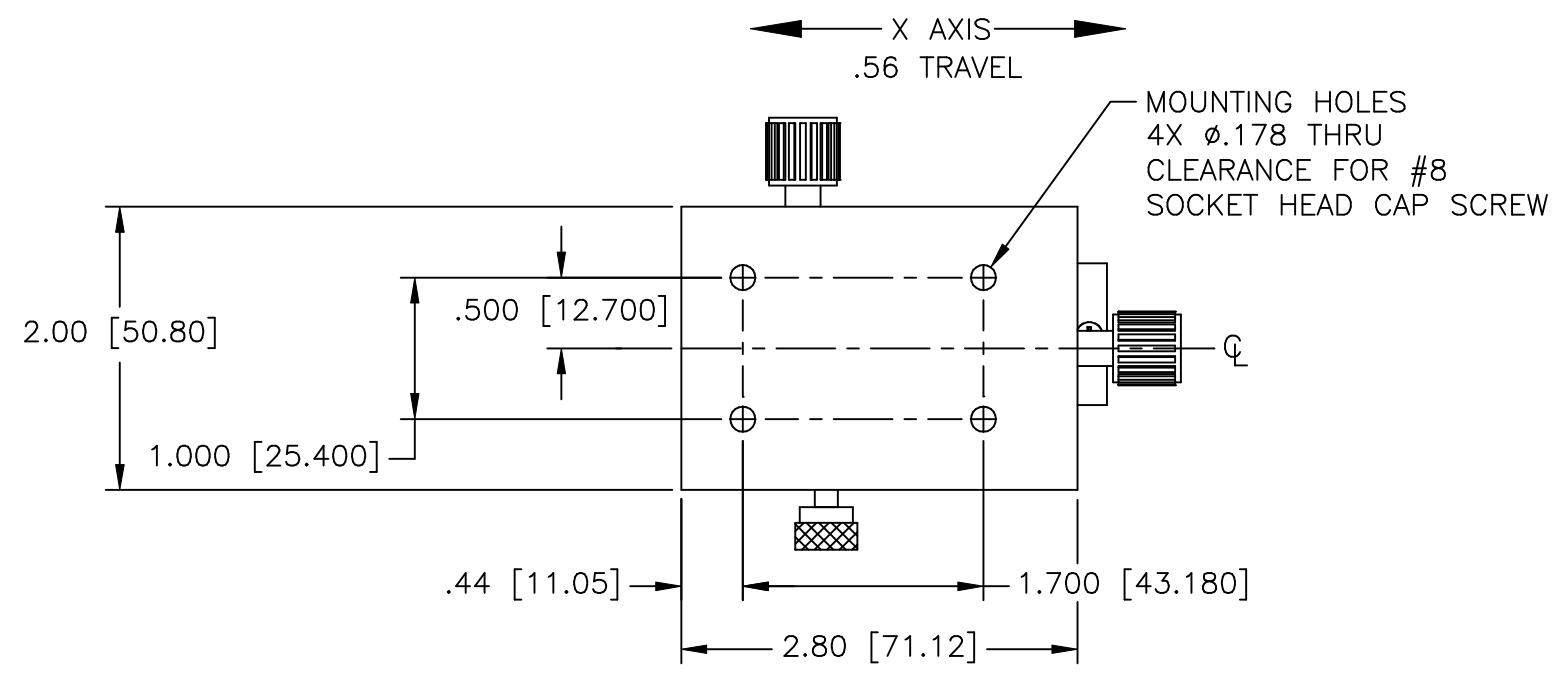
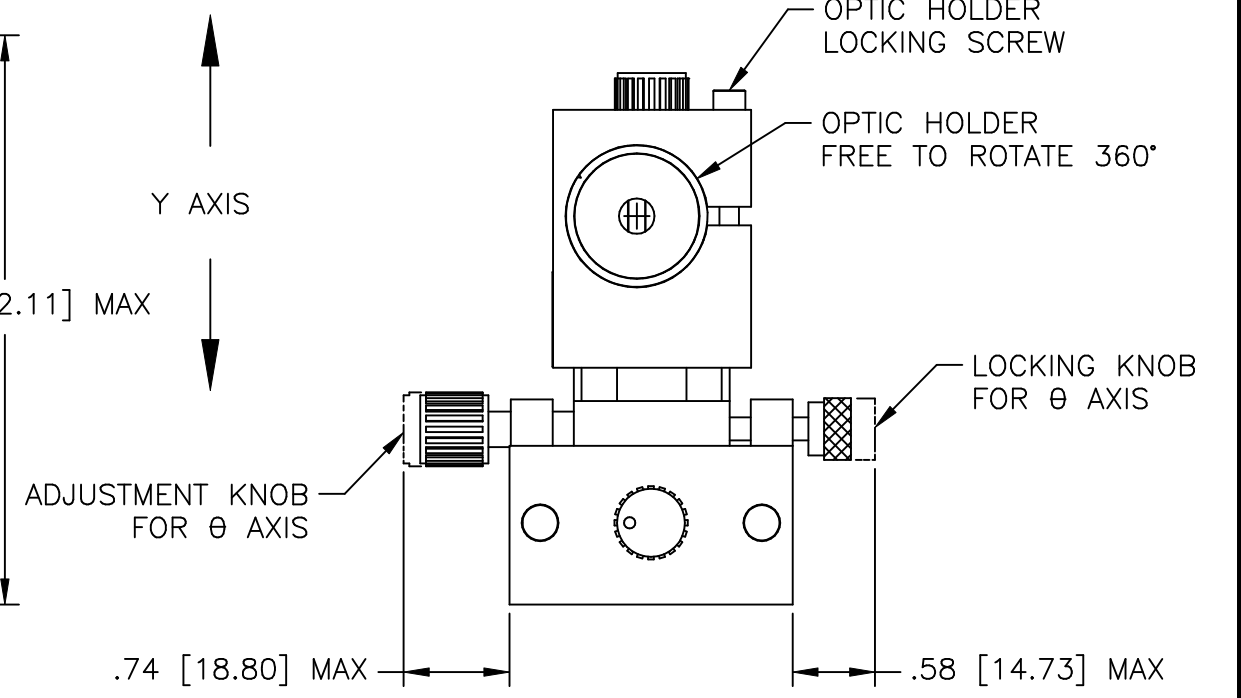
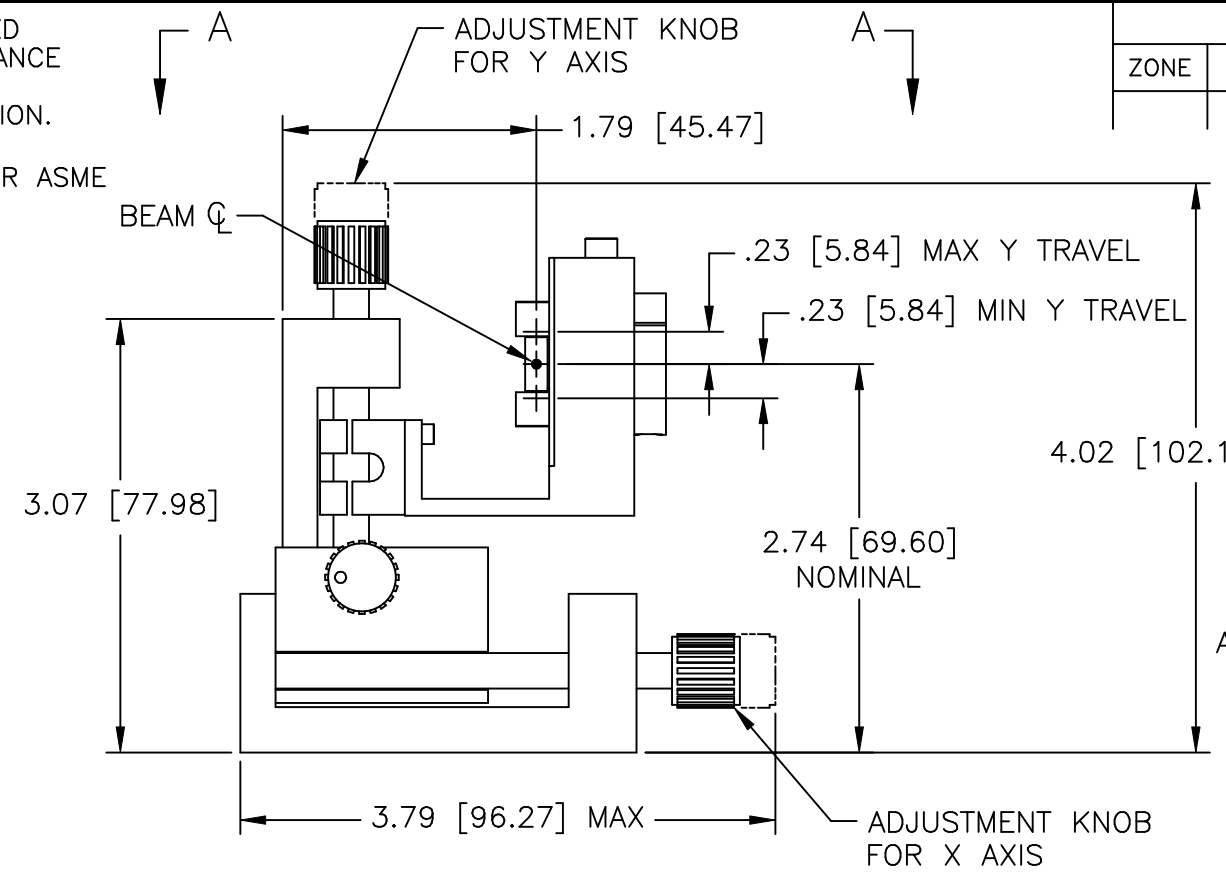
A

D


C

B

A



VIEW A-A
 Θ AXIS ROTATION
 MOUNT REMOVED FOR CLARITY

MATERIAL		UNLESS OTHERWISE SPECIFIED DIMENSIONS ARE IN INCHES. DIMENSIONS AND VALUES IN BRACKETS ARE METRIC. TOLERANCES ARE: DECIMALS: INCHES MILIMETERS .XX ±.01 [±.25] .XXX ±.005 [±.127] ANGLES: ±.5° SURFACE ROUGHNESS: REMOVE ALL BURRS AND SHARP EDGES. DIM. AND SURFACE ROUGHNESS APPLY AFTER COATING.	APPROVALS	DATE	 NEOS TECHNOLOGIES <small>A Gooch & Housego Company</small> 4300C FORTUNE PLACE MELBOURNE, FL 32904 (321)676-9020 FAX: (321)722-4499
FINISH			DRAWN BY: F. COLLETT	5/23/06	
NEXT ASSY	USED ON	APPROVED: CMC	6/1/06	ENGINEERING: WS	SIZE B
APPLICATION		DO NOT SCALE DRAWING	6/1/06	APPROVED: CMC	DWG NO. 53B3563
					SCALE NONE
					FILE 53B3563
					SHEET 1 OF 1

1

2

3

4

5

6