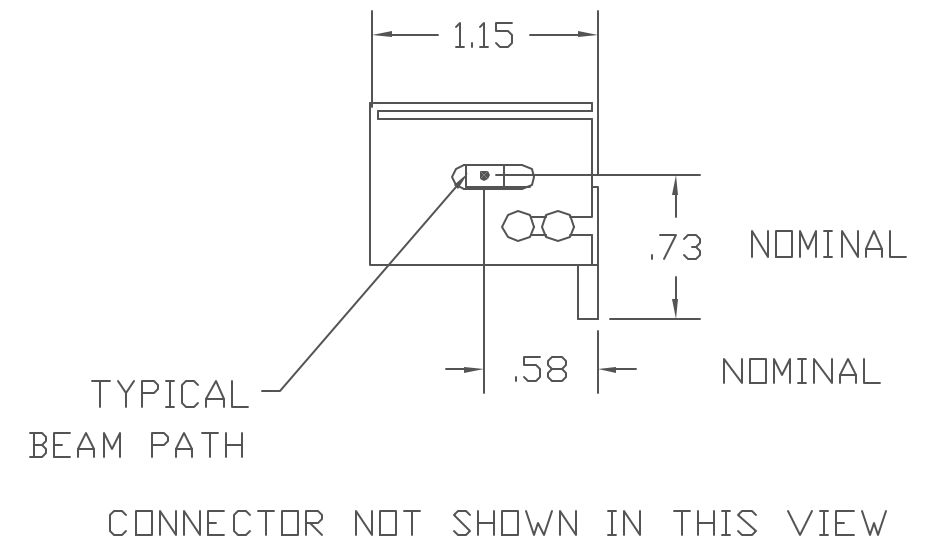
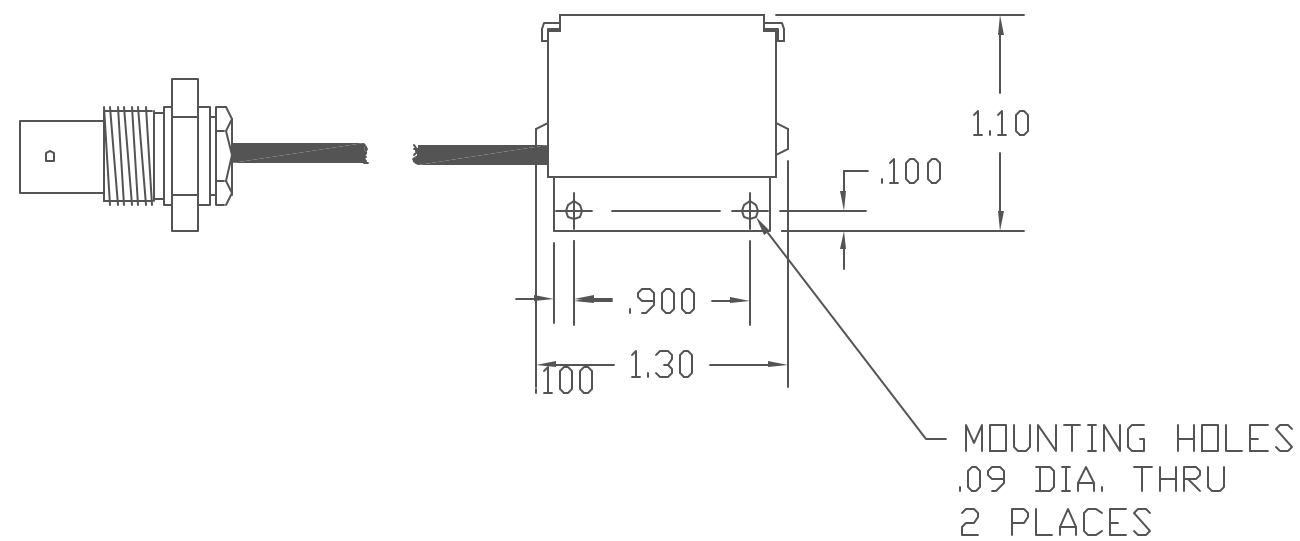
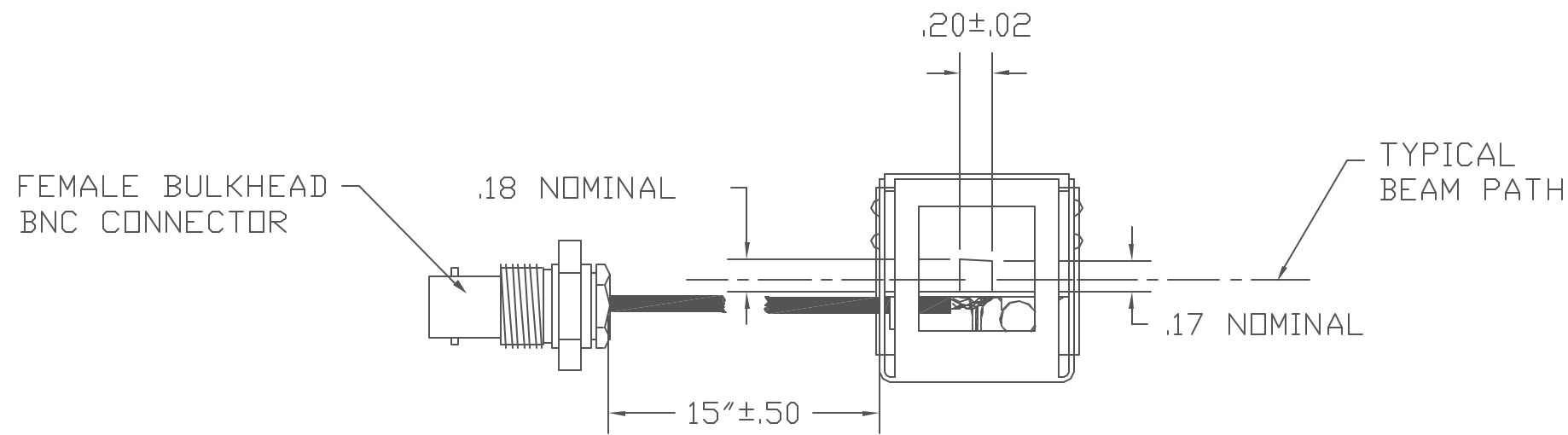


| REVISIONS |                         |         |          |
|-----------|-------------------------|---------|----------|
| REV.      | DESCRIPTION             | DATE    | APPROVED |
| A         | CHANGE PER ECD 58A05546 | 1/29/93 | G.T.     |
| B         | CHANGE PER ECD 58A05922 | 7/12/93 | B.B.     |



| QTY REQD   | FSCM NO. | PART OR IDENTIFYING NO. | NOMENCLATURE OR DESCRIPTION |         | MATERIAL SPECIFICATION       |
|--|----------|-------------------------|-----------------------------|---------|------------------------------|
| PARTS LIST   |          |                         |                             |         |                              |
| UNLESS OTHERWISE SPECIFIED DIMENSIONS ARE IN INCHES TOLERANCES ARE:<br>FRACTIONS    DECIMALS    ANGLES<br>±                ±                ±<br>.XX±                .XXX± |          |                         | CONTRACT NO.                |         | <b>NEOS</b>                  |
| MATERIAL   |          |                         | APPROVALS                   | DATE    |                              |
| FINISH   |          |                         | DRAWN<br>B.BURKETT          | 2/10/92 |                              |
| NEXT ASSY  |          |                         | CHECKED    P.S.             | 7/14/93 |                              |
| USED ON  |          |                         | ISSUED        W.S.          | 7/14/93 | SIZE<br>B                    |
| APPLICATION  |          |                         | DO NOT SCALE DRAWING        |         | FILE    DWG. NO.    53B00499 |
|  |          |                         | SCALE 1/1                   |         | SHEET 1 OF 1                 |

OUTLINE DRAWING, N17389-.93

53B00499    REV. B