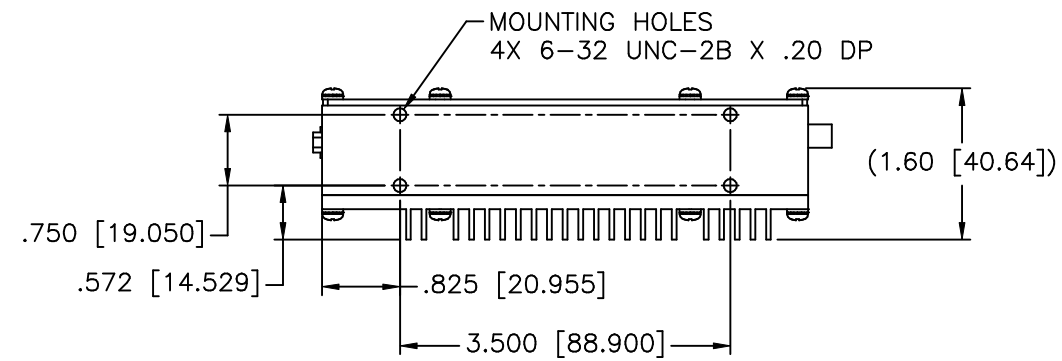
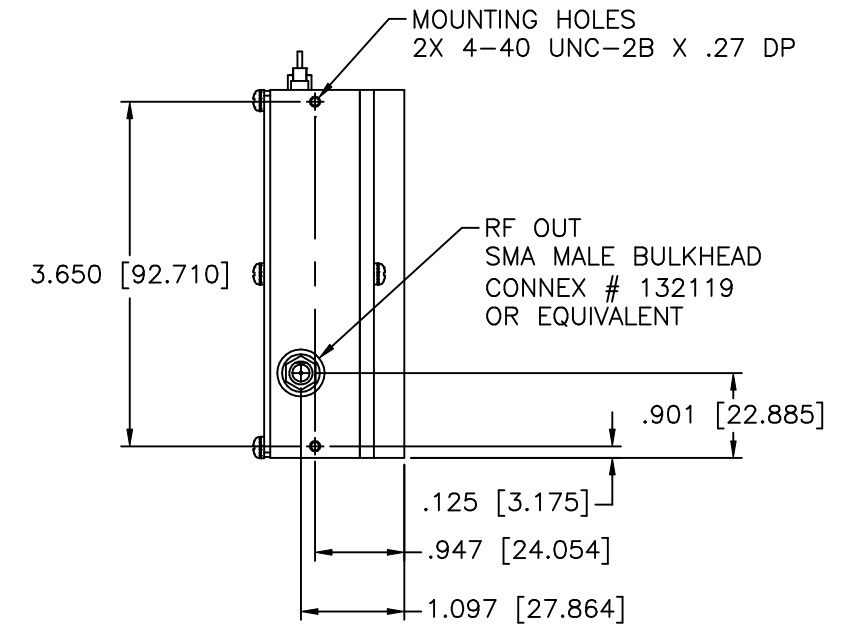
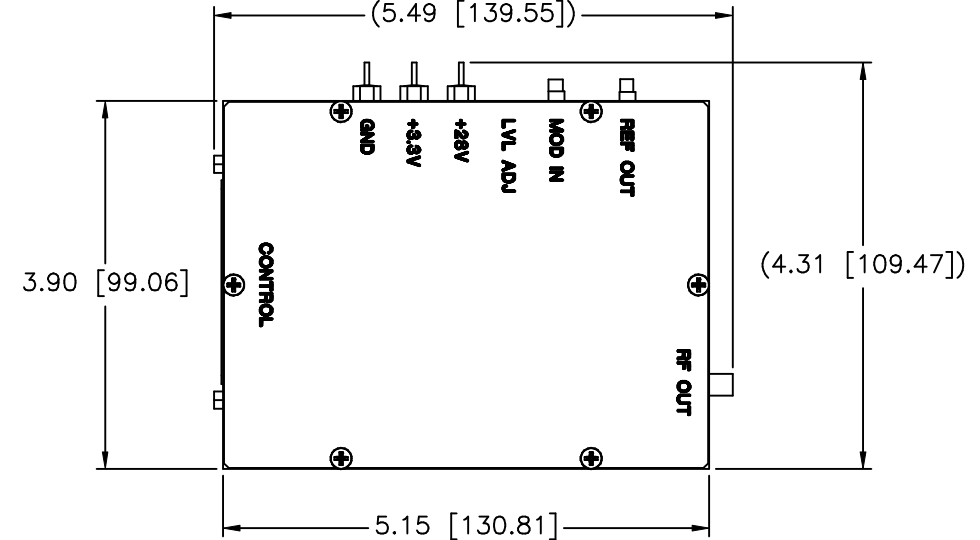
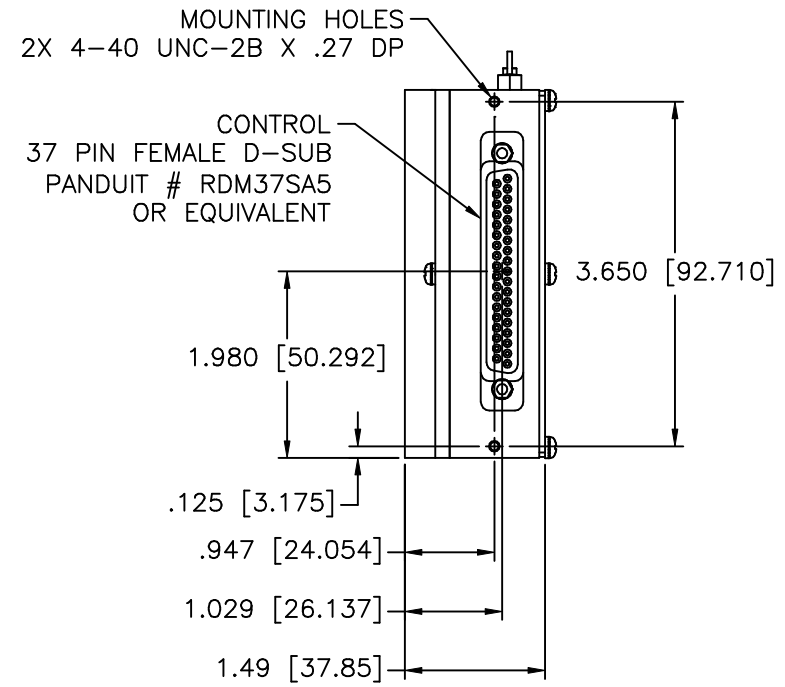
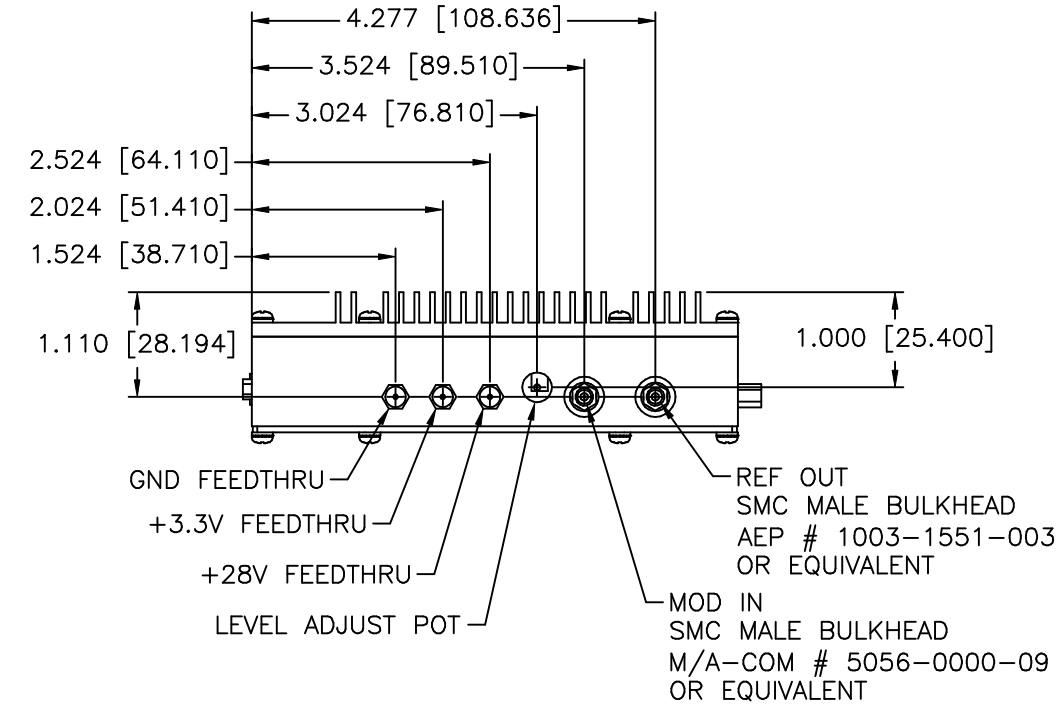
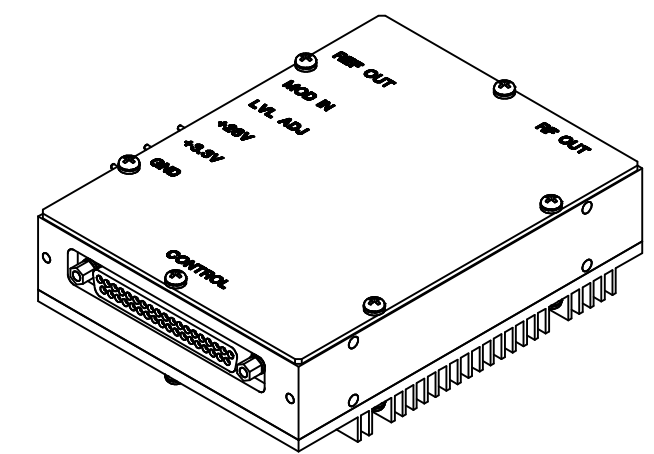


- NOTES: UNLESS OTHERWISE SPECIFIED
1. DRAWING PREPARED IN ACCORDANCE WITH MIL-STD-100.
 2. INTERPRET 3RD ANGLE PROJECTION.
 3. DIMENSIONING AND SYMBOLS PER ASME Y14.5M-1994.

REVISIONS			
ZONE	REV.	DESCRIPTION	CHNG / DATE



		MATERIAL	UNLESS OTHERWISE SPECIFIED DIMENSIONS ARE IN INCHES. DIMENSIONS AND VALUES IN BRACKETS ARE METRIC. TOLERANCES ARE: DECIMALS: INCHES MILIMETERS .XX ±.01 [±.25] .XXX ±.005 [±.127] ANGLES: ± SURFACE ROUGHNESS: REMOVE ALL BURRS AND SHARP EDGES. DIM. AND SURFACE ROUGHNESS APPLY AFTER COATING.	APPROVALS	DATE	 4005 OPPORTUNITY DRIVE MELBOURNE, FL 32934 (321) 242-7818 FAX: (321) 242-1019
		FINISH		DRAWN BY: F. COLLETT	3/14/06	
NEXT ASSY	USED ON			CHECKED BY: MC	3/21/06	SIZE D
APPLICATION	DO NOT SCALE DRAWING			ENGINEERING: MC	3/21/06	DWG NO. 53D3887
				APPROVED: CMC	3/21/06	SCALE 1/1
						FILE 53D3887
						SHEET 1 OF 1