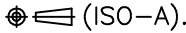
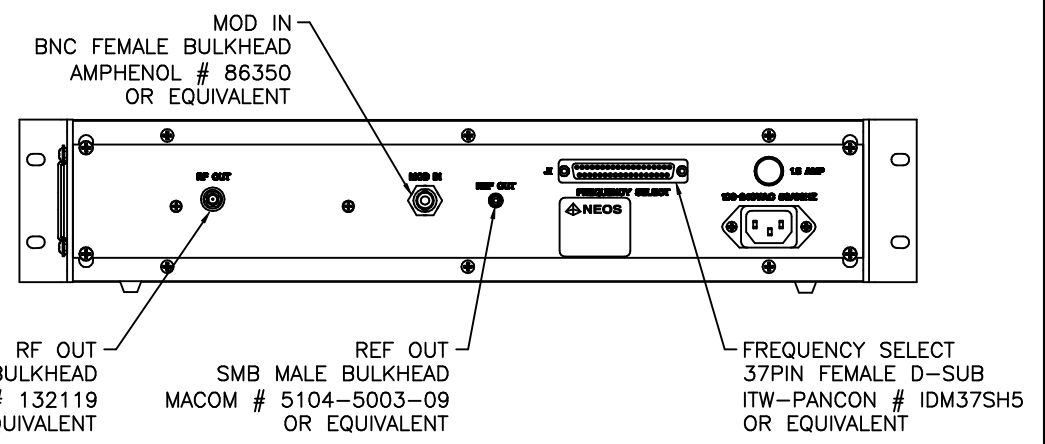
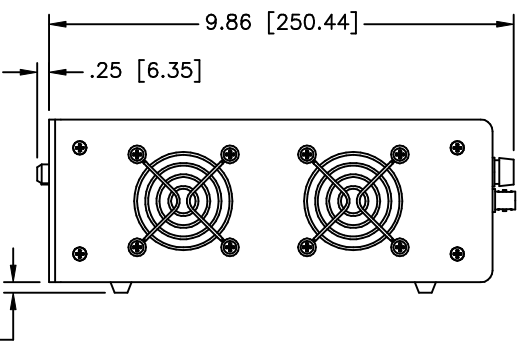
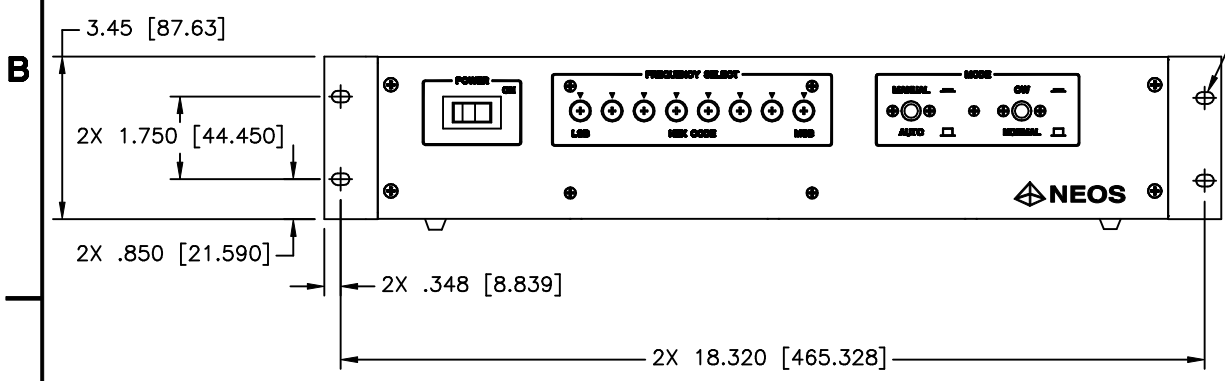
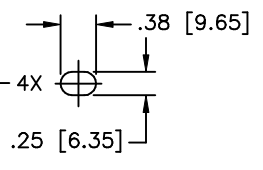
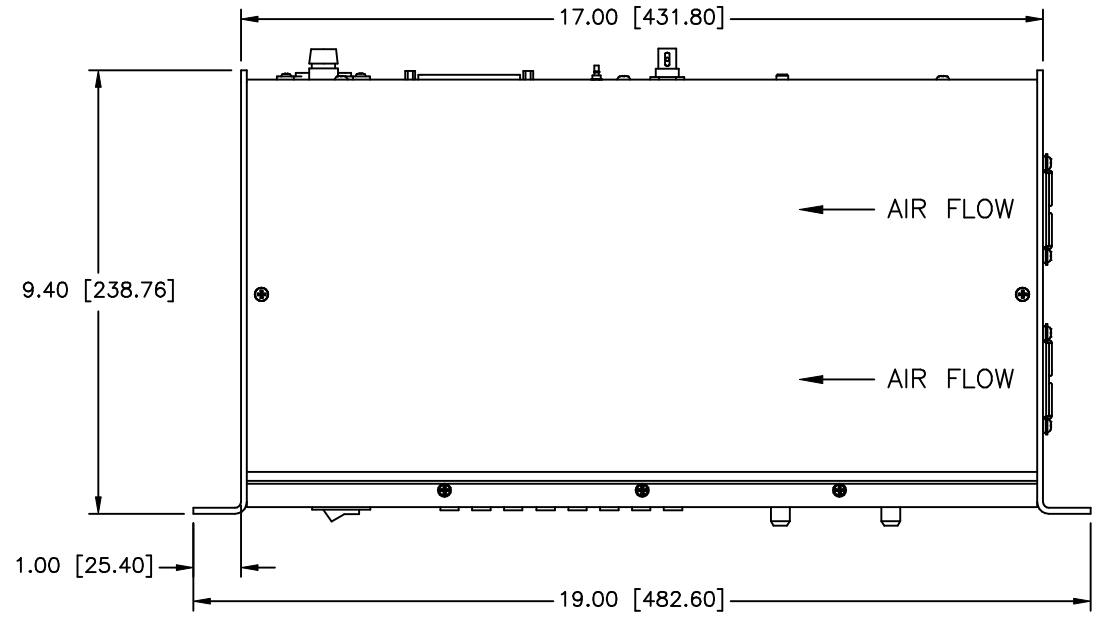



- NOTES: UNLESS OTHERWISE SPECIFIED
1. DRAWING PREPARED IN ACCORDANCE WITH MIL-STD-100.
  2. INTERPRET 3RD ANGLE PROJECTION.  
 (ISO-A).
  3. DIMENSIONING AND SYMBOLS PER ASME Y14.5M-1994.

REVISIONS				
ZONE	REV.	DESCRIPTION	CHNG / DATE	APVD / DATE



		MATERIAL	UNLESS OTHERWISE SPECIFIED DIMENSIONS ARE IN INCHES. DIMENSIONS AND VALUES IN BRACKETS ARE METRIC. TOLERANCES ARE: DECIMALS: INCHES MILLIMETERS .XX ±.01 [±.25] .XXX ±.005 [±.127] ANGLES: ± SURFACE ROUGHNESS: REMOVE ALL BURRS AND SHARP EDGES. DIM. AND SURFACE ROUGHNESS APPLY AFTER COATING.	APPROVALS	DATE	 4005 OPPORTUNITY DRIVE MELBOURNE, FL 32934 (321) 242-7818 FAX: (321) 242-1019	
		FINISH		DRAWN BY: F. COLLETT	3/10/06		TITLE OUTLINE, 64020-200-2ADSDFS-A
NEXT ASSY	USED ON			CHECKED BY: MC	3/21/06		SIZE <b>D</b>
APPLICATION	DO NOT SCALE DRAWING			ENGINEERING: MC	3/21/06		DWG NO. 53D3882
			APPROVED: CMC	3/21/06	SCALE NONE	REV. 	
					FILE 53D3882	SHEET 1 OF 1	
