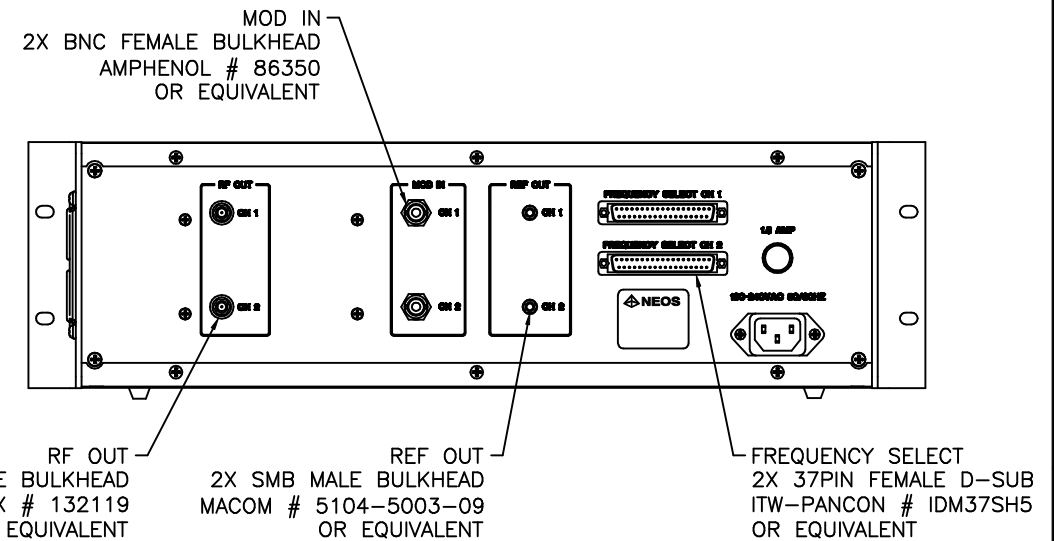
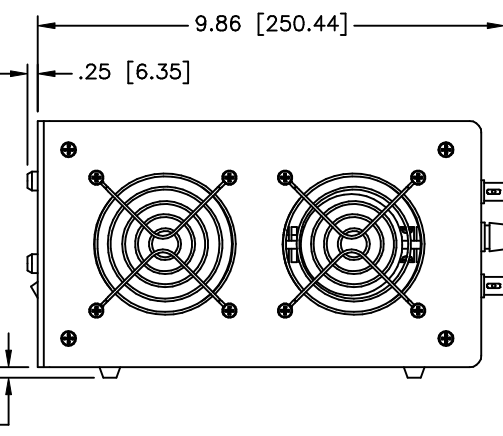
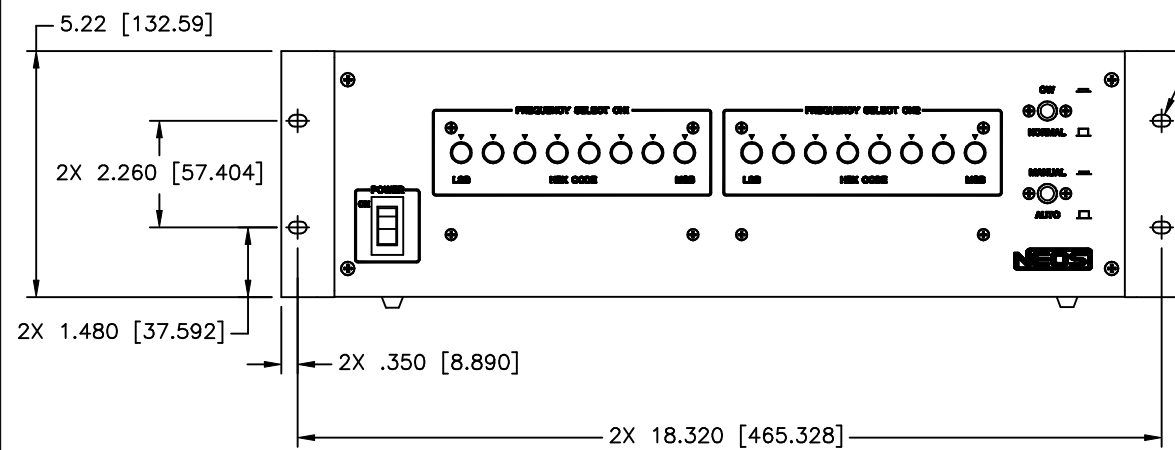
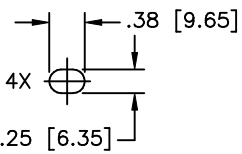
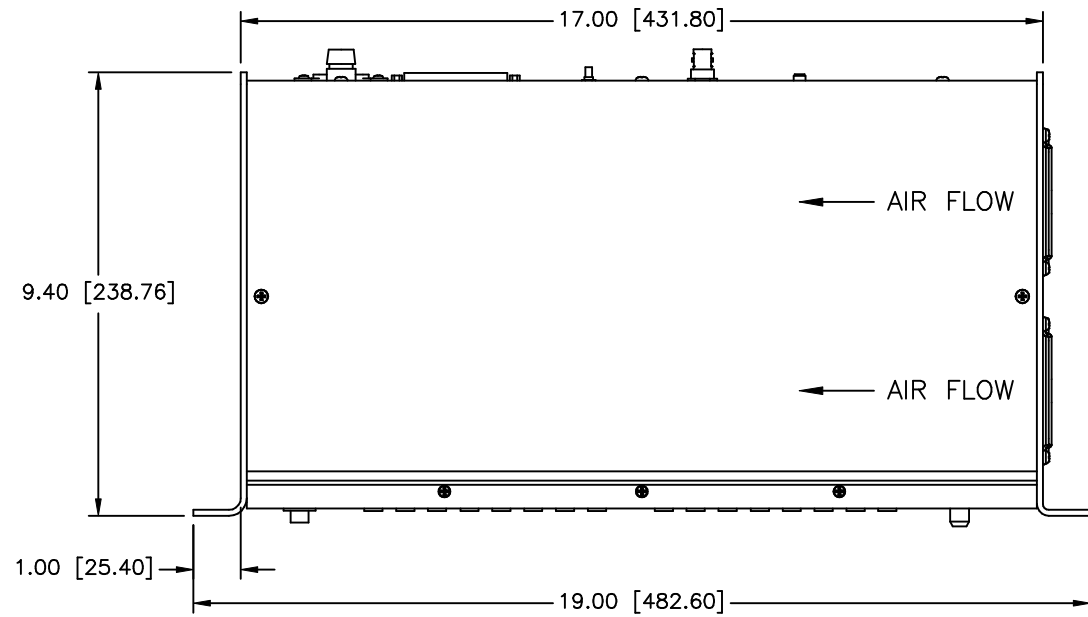


- NOTES: UNLESS OTHERWISE SPECIFIED
1. DRAWING PREPARED IN ACCORDANCE WITH MIL-STD-100.
 2. INTERPRET 3RD ANGLE PROJECTION. $\begin{smallmatrix} \oplus \\ \longleftarrow \end{smallmatrix}$ (ISO-A).
 3. DIMENSIONING AND SYMBOLS PER ASME Y14.5M-1994.

REVISIONS			
ZONE	REV.	DESCRIPTION	CHNG / DATE



		MATERIAL
		FINISH
NEXT ASSY	USED ON	
APPLICATION		DO NOT SCALE DRAWING

UNLESS OTHERWISE SPECIFIED DIMENSIONS ARE IN INCHES. DIMENSIONS AND VALUES IN BRACKETS ARE METRIC. TOLERANCES ARE:
 DECIMALS: INCHES MILLIMETERS
 .XX ±.01 [±.25]
 .XXX ±.005 [±.127]
 ANGLES: ±
 SURFACE ROUGHNESS: REMOVE ALL BURRS AND SHARP EDGES. DIM. AND SURFACE ROUGHNESS APPLY AFTER COATING.

APPROVALS	DATE
DRAWN BY: F. COLLETT	3/8/06
CHECKED BY: MC	3/21/06
ENGINEERING: MC	3/21/06
APPROVED: CMC	3/21/06

NEOS TECHNOLOGIES
 A Gaoth & Housage Company

4005 OPPORTUNITY DRIVE
 MELBOURNE, FL 32934
 (321) 242-7818
 FAX: (321) 242-1019

TITLE: OUTLINE, 64020-200-2ADSDFS-A-2

SIZE: **D** DWG NO. 53D3881 REV.

SCALE: NONE FILE 53D3881 SHEET 1 OF 1