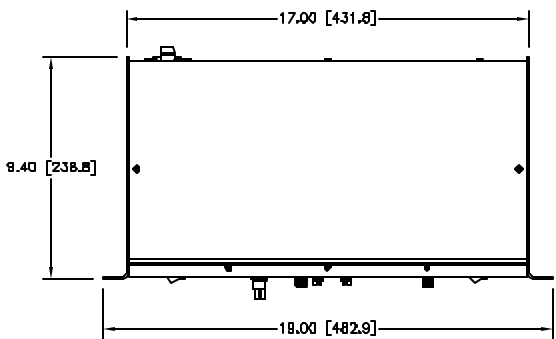
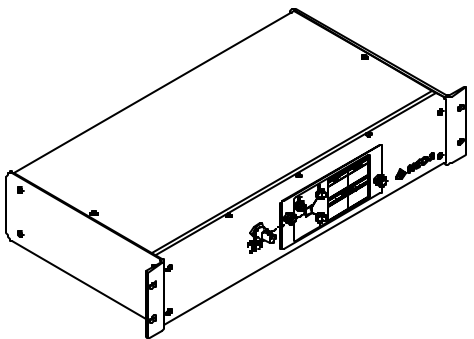
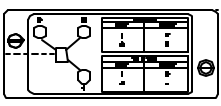


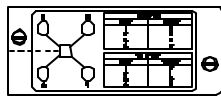
- NOTES: UNLESS OTHERWISE SPECIFIED
1. DRAWING PREPARED IN ACCORDANCE WITH ML-STD-100.
 2. DIMENSIONING AND SYMBOLS PER ASME Y14.5M-1982.
 3. INTERPRET 3RD ANGLE PROJECTION.
- ⊕ (ISO-A)



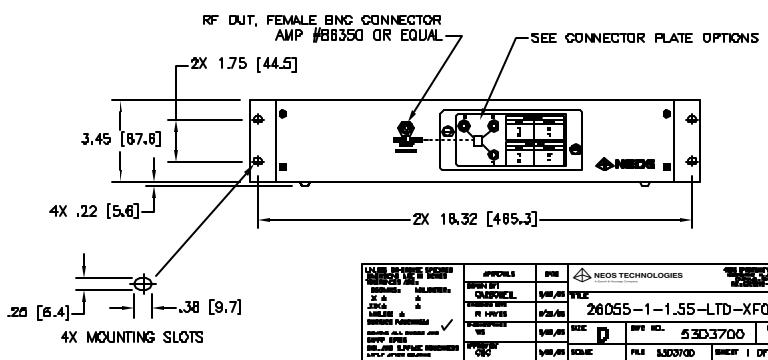
CONNECTOR PLATE OPTIONS



26055-1-1.55-LTD-3FD WITH FC CONNECTORS AND 14B3477 CONNECTOR PLATE



26055-1-1.55-LTD-4FD WITH FC CONNECTORS AND 14B273D CONNECTOR PLATE



<small> CHECKED BY: [Signature] DATE: [Date] DRAWN BY: [Signature] DATE: [Date] ENGINEER: [Signature] DATE: [Date] APPROVED BY: [Signature] DATE: [Date] </small>		<small> APPROVALS DESIGNER: [Signature] CHECKED BY: [Signature] IN CHARGE: [Signature] PROJECT: [Signature] DATE: [Date] SCALE: [Signature] </small>		<small> NEOS TECHNOLOGIES 26055-1-1.55-LTD-XFO REV. 5303700 FILE 5303700 SHEET 1 OF 1 </small>	
--	--	--	--	---	--