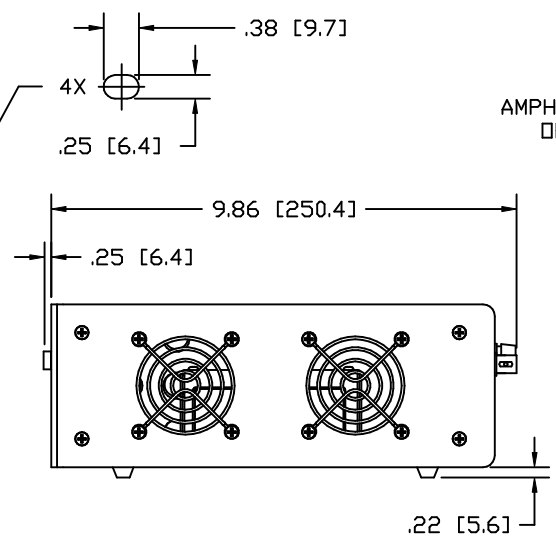
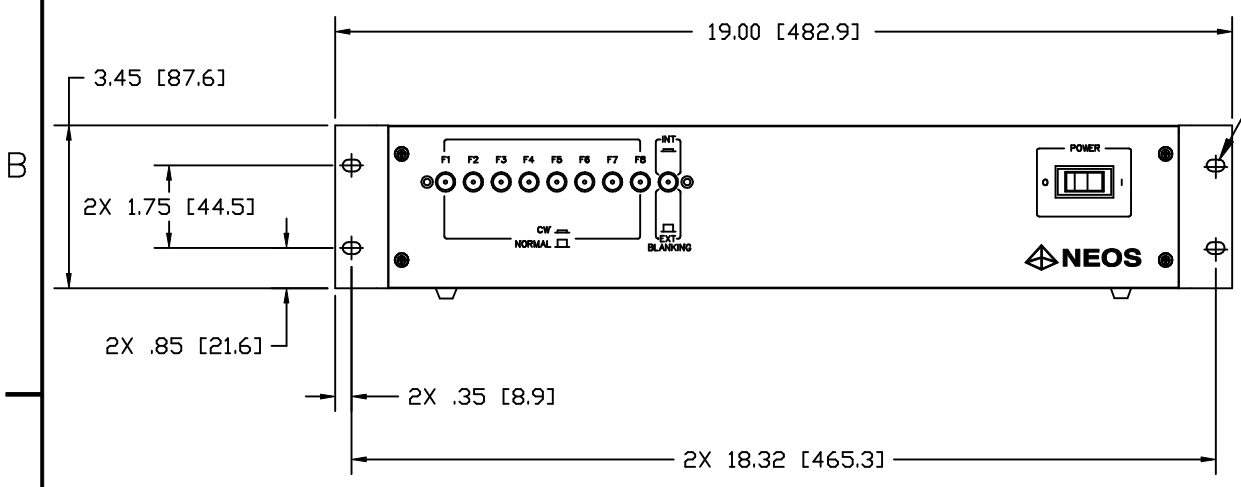
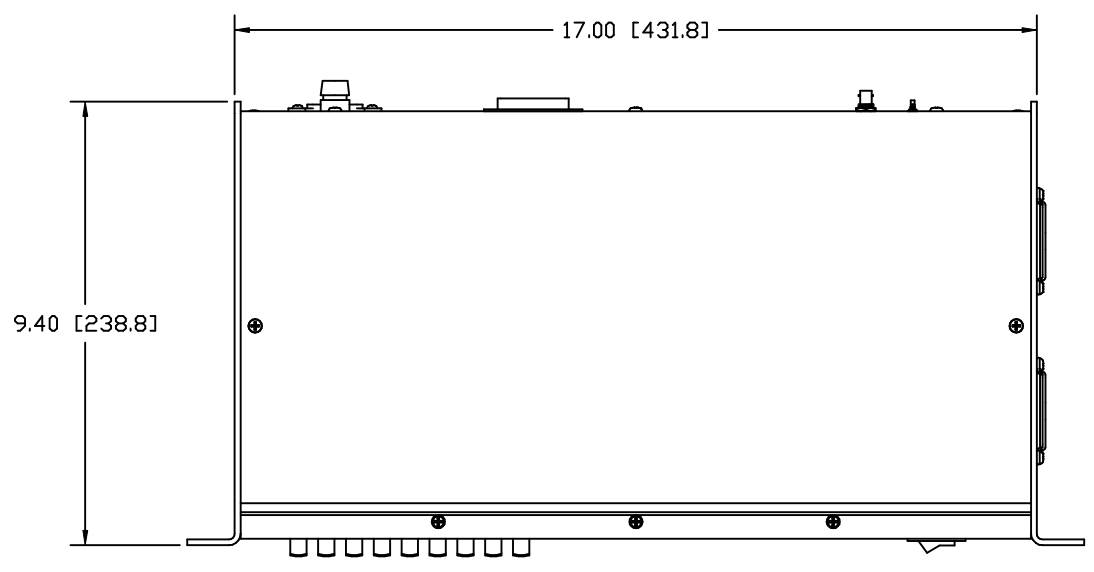
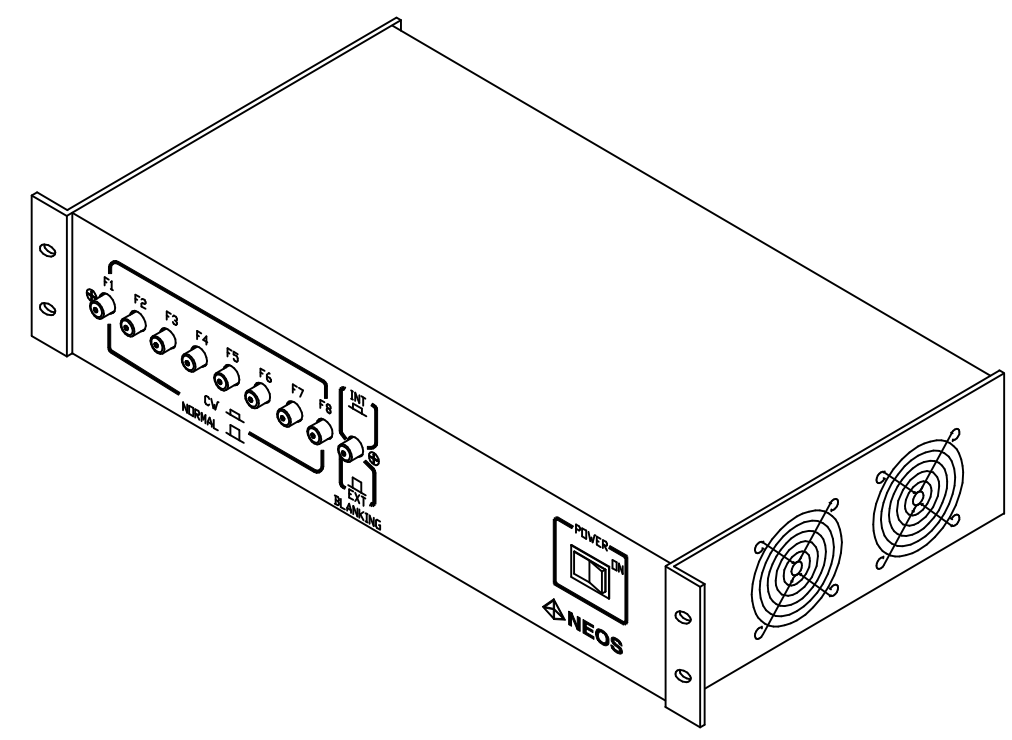
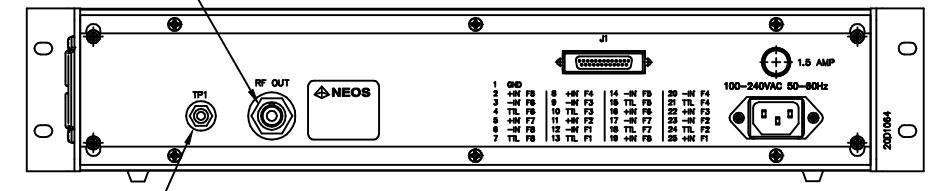


REVISIONS			
ZONE	REV.	DESCRIPTION	CHNG / DATE


NOTES: UNLESS OTHERWISE SPECIFIED
 1. DRAWING PREPARED IN ACCORDANCE WITH MIL-STD-100.
 2. DIMENSIONING AND SYMBOLS PER ASME Y14.5M-1982.
 3. INTERPRET 3RD ANGLE PROJECTION.
 (ISO-A).



FEMALE BNC AMPHENDL # 86350 OR EQUIVALENT



TP1 MALE SMB JACK BHD-5104-5003-09 OR EQUIVALENT

		MATERIAL	UNLESS OTHERWISE SPECIFIED DIMENSIONS ARE IN INCHES. DIMENSIONS AND VALUES IN BRACKETS ARE METRIC. TOLERANCES ARE: DECIMALS INCHES MILLIMETERS .XX ±.02 [±.5] .XXX ± [±] ANGLES: ± SURFACE ROUGHNESS: REMOVE ALL BURRS AND SHARP EDGES. DIM. AND SURFACE ROUGHNESS APPLY AFTER COATING.	APPROVALS	DATE	 4005 OPPORTUNITY DRIVE MELBOURNE, FL 32934 (321) 242-7818 FAX: (321) 242-1019	
		FINISH		DRAWN BY: S. MORRIS	4/21/05	TITLE OUTLINE DRAWING 64040-75-.1-8CH-16B	
				CHECKED BY: RH	6/6/05	SIZE D	DWG NO. 53D3423
				APPROVED: CMC	6/2/05	SCALE NONE	FILE 53D3423
NEXT ASSY	USED ON					REV.	
APPLICATION		DO NOT SCALE DRAWING				SHEET	1 OF 1