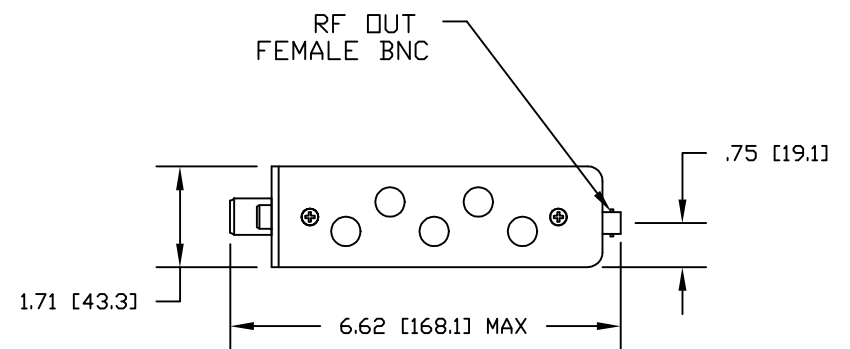
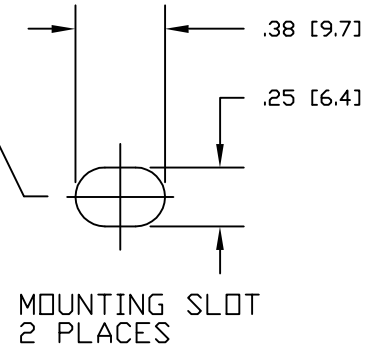
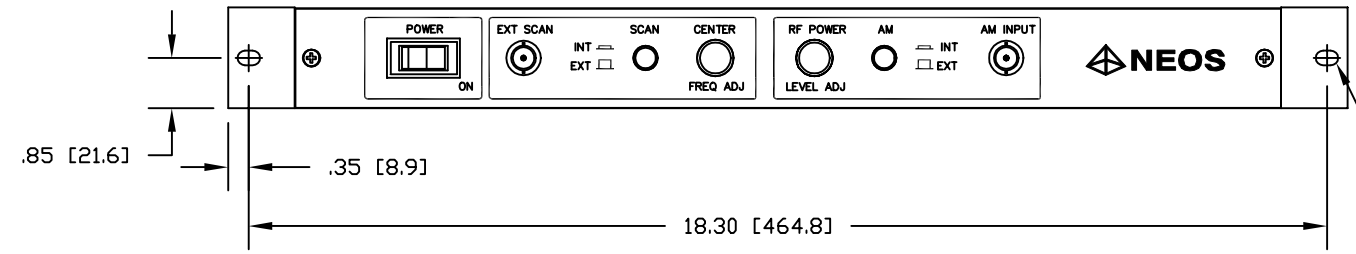
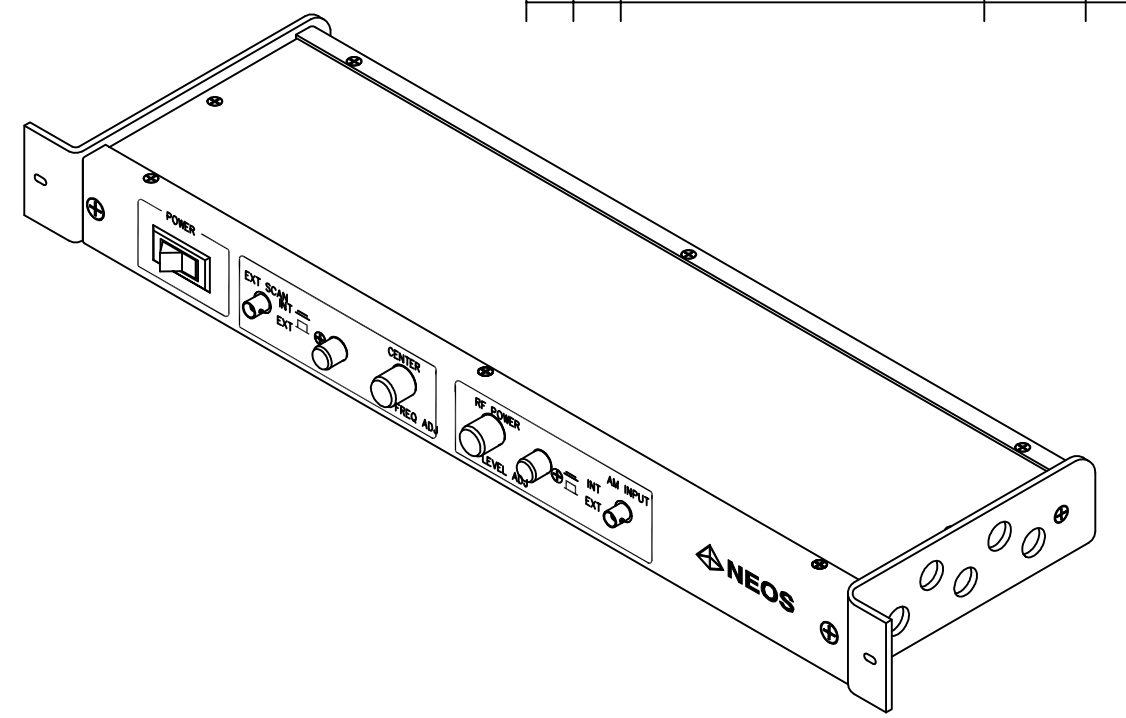
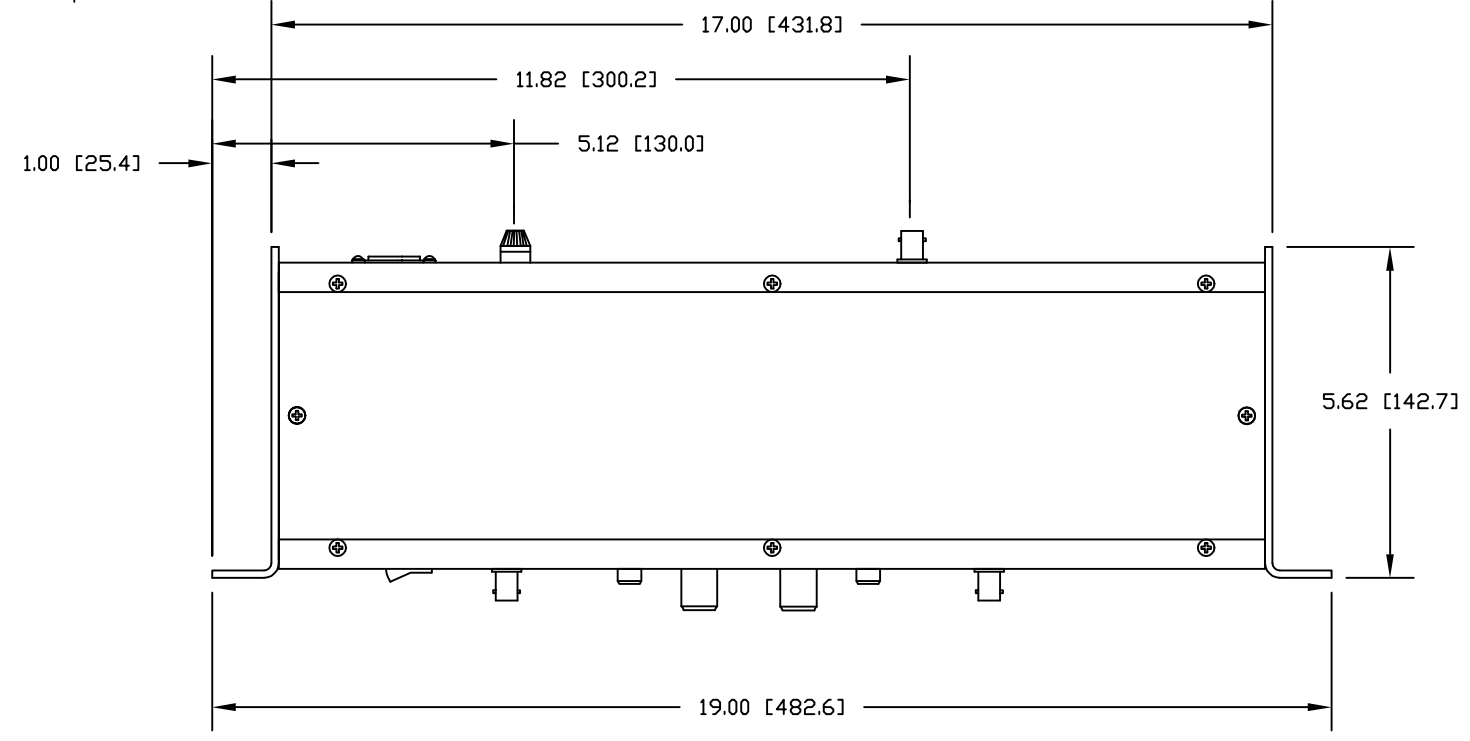


- NOTES: UNLESS OTHERWISE SPECIFIED
1. DRAWING PREPARED IN ACCORDANCE WITH MIL-STD-100.
 2. DIMENSIONING AND SYMBOLS PER ASME Y14.5M-1982.
 3. INTERPRET 3RD ANGLE PROJECTION.
- ⊕ (ISD-A).

REVISIONS				
ZONE	REV.	DESCRIPTION	CHNG / DATE	APVD / DATE



MATERIAL		UNLESS OTHERWISE SPECIFIED DIMENSIONS ARE IN INCHES. DIMENSIONS AND VALUES IN BRACKETS ARE METRIC. TOLERANCES ARE: DECIMALS: INCHES MILLIMETERS .XX ±.02 [±.5] .XXX ± [±] ANGLES: ± SURFACE ROUGHNESS: ✓ REMOVE ALL BURRS AND SHARP EDGES. DIM. AND SURFACE ROUGHNESS APPLY AFTER COATING.	APPROVALS	DATE	NEOS TECHNOLOGIES <small>A Goesh & Housego Company</small>		4005 OPPORTUNITY DRIVE MELBOURNE, FL 32934 (321) 242-7818 FAX: (321) 242-1019
FINISH			DRAWN BY: S. MORRIS	4/28/05	TITLE		OUTLINE DRAWING, 21080-1SAS
NEXT ASSY USED ON			CHECKED BY: R. HAYES	5/06/05	SIZE	D	DWG NO. 53D3127
APPLICATION			ENGINEERING: JLL	5/06/05	SCALE	NONE	FILE 53D3127
DO NOT SCALE DRAWING		APPROVED: CMC	5/06/05	REV.		SHEET 1 OF 1	