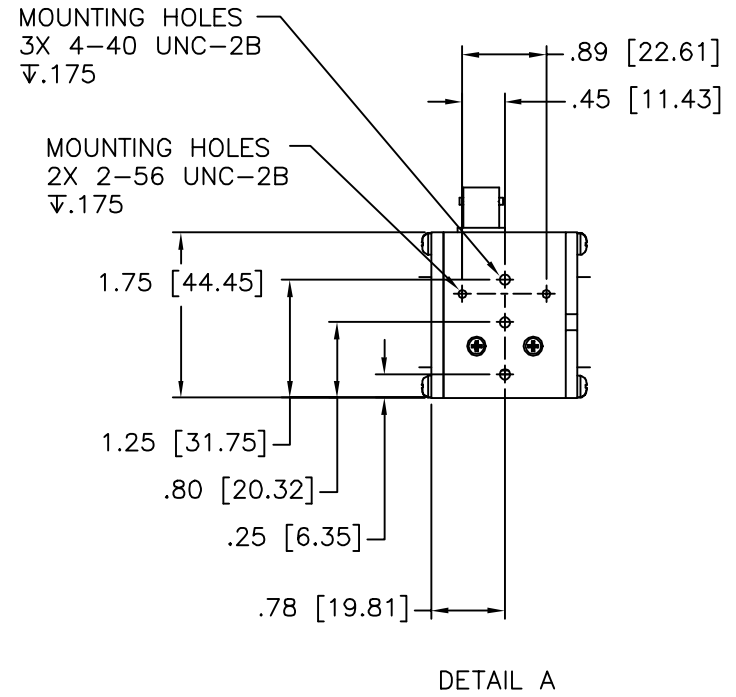
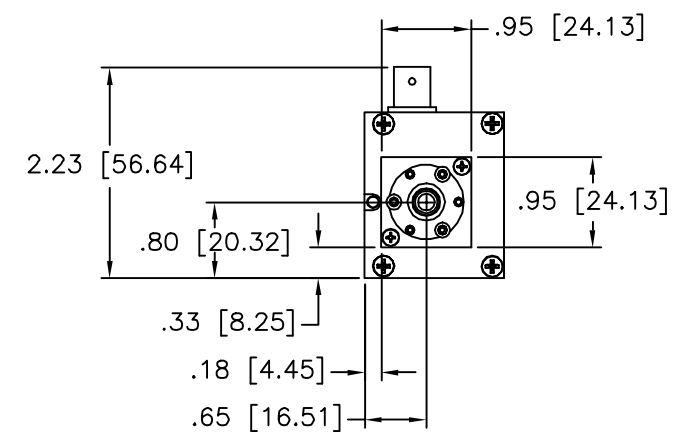
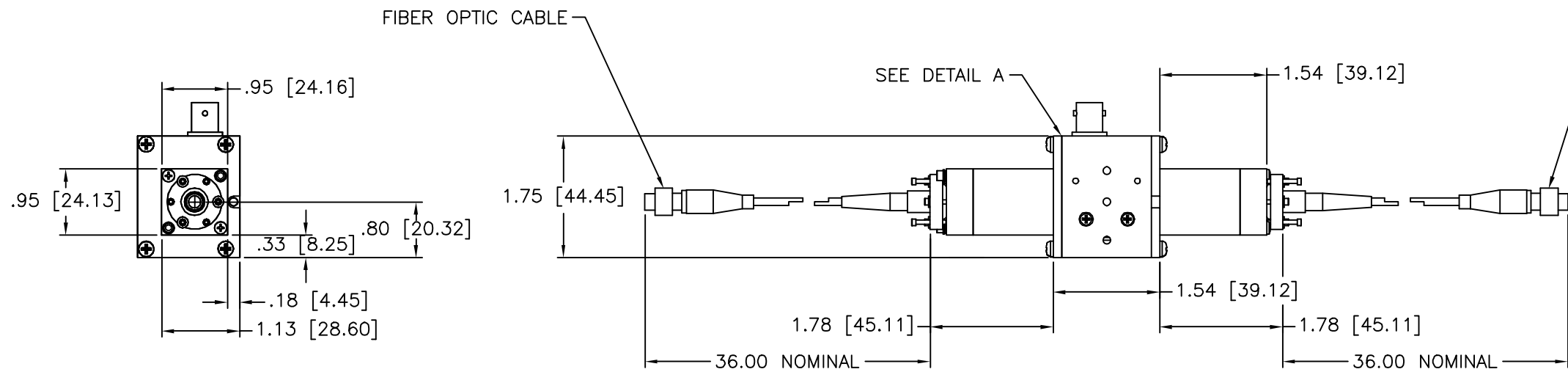
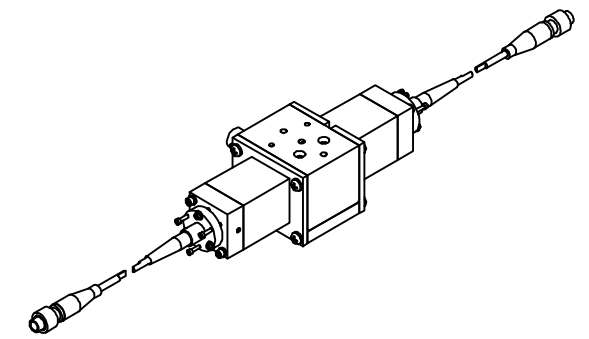
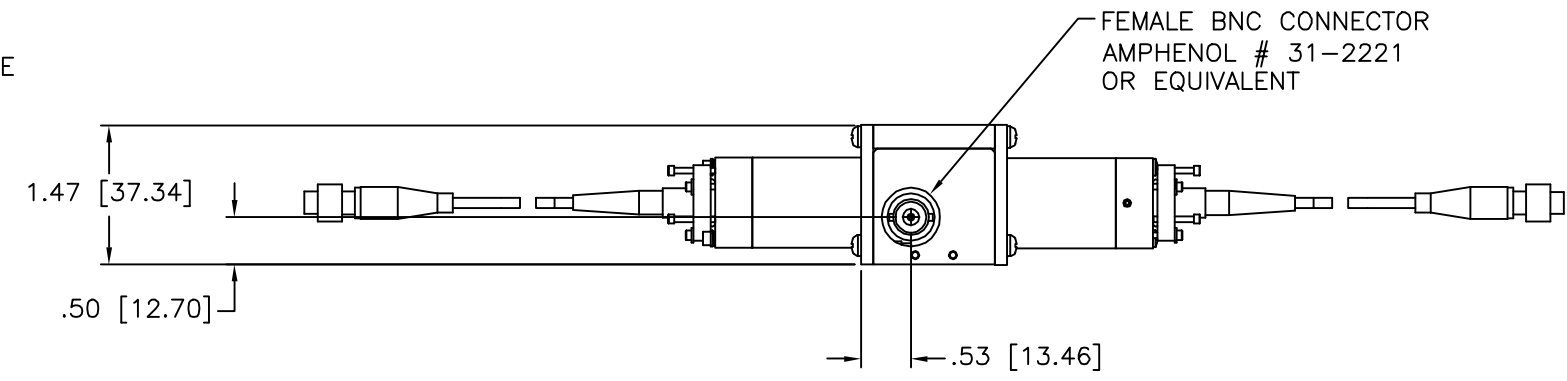


- NOTES: UNLESS OTHERWISE SPECIFIED
1. DRAWING PREPARED IN ACCORDANCE WITH MIL-STD-100.
  2. INTERPRET 3RD ANGLE PROJECTION.  $\phi$  (ISO-A).
  3. DIMENSIONING AND SYMBOLS PER ASME Y14.5M-1994.

REVISIONS				
ZONE	REV.	DESCRIPTION	CHNG / DATE	APVD / DATE
	A	CHANGE PER ECO 58A17328	RS 7/14/04	CC 7/15/04



		MATERIAL	UNLESS OTHERWISE SPECIFIED DIMENSIONS ARE IN INCHES. DIMENSIONS AND VALUES IN BRACKETS ARE METRIC. TOLERANCES ARE: DECIMALS: INCHES MILIMETERS .XX ±.01 [±.25] .XXX ±.005 [±.127]		APPROVALS	DATE	<b>NEOS TECHNOLOGIES</b> <small>A Booth &amp; Housing Company</small>			4300C FORTUNE PLACE MELBOURNE, FL 32904 (321)676-9020 FAX: (321)722-4499
		FINISH	ANGLES: ±		DRAWN BY:	6/23/04	TITLE			
			SURFACE ROUGHNESS: ✓		CHECKED BY:		OUTLINE, 23080-1-1.06-LTD-FO-2HP-PM			
		NEXT ASSY	USED ON	REMOVE ALL BURRS AND SHARP EDGES. DIM. AND SURFACE ROUGHNESS APPLY AFTER COATING.	ENGINEERING:	6/23/04	SIZE	D	DWG NO.	
		APPLICATION	DO NOT SCALE DRAWING		APPROVED:	6/24/04	SCALE	NONE	53D3031	
					CMC		FILE	53D3031A	REV. A	
							SHEET	1 OF 1		