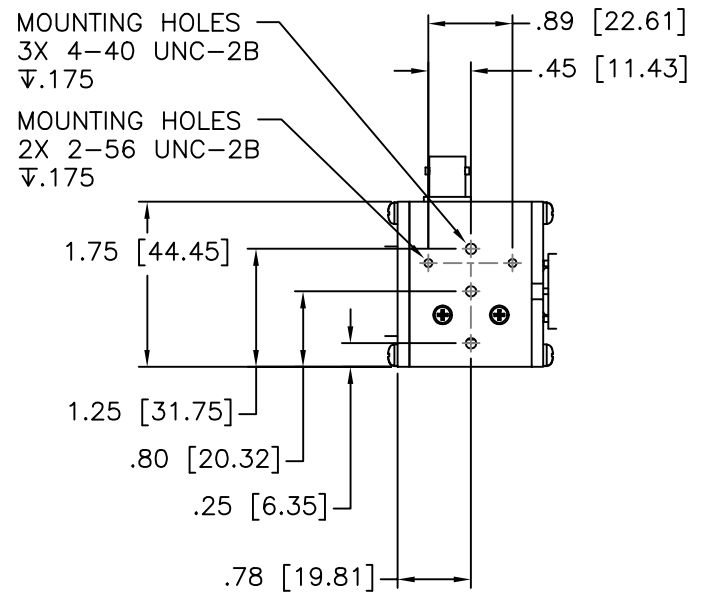
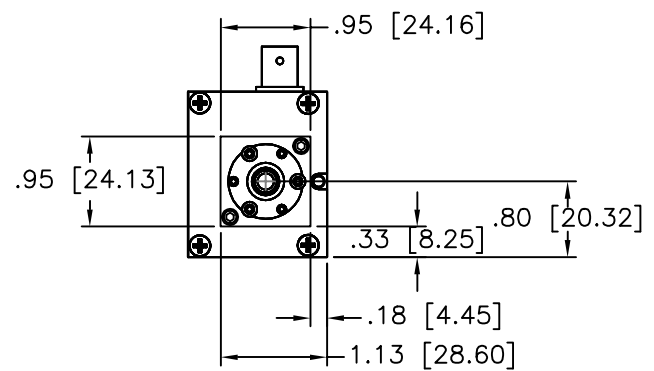
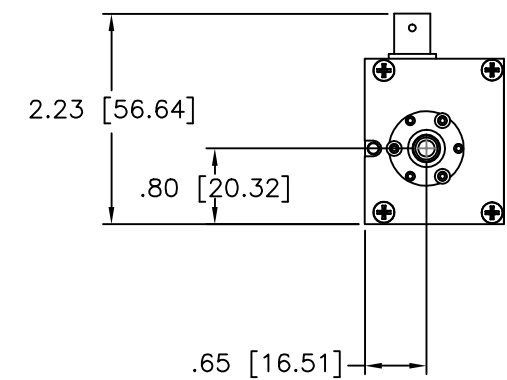
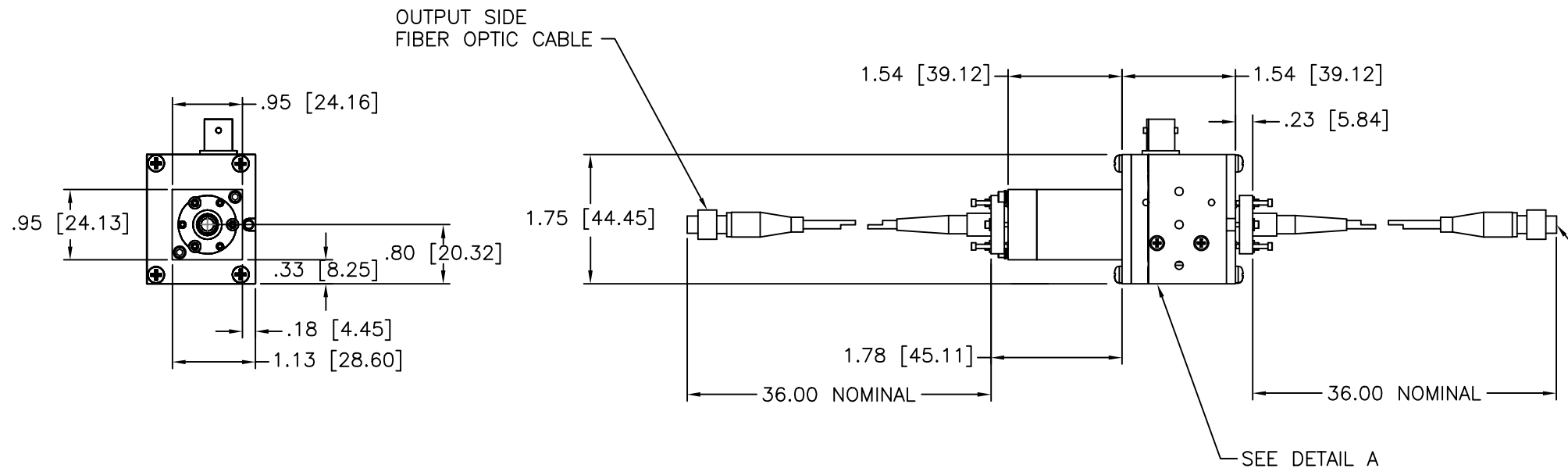
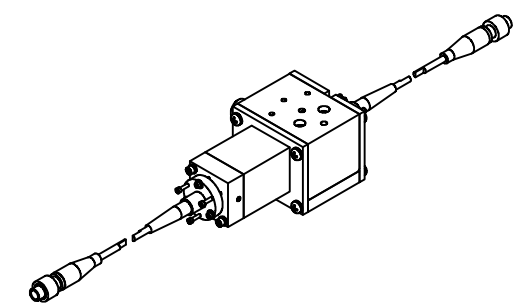
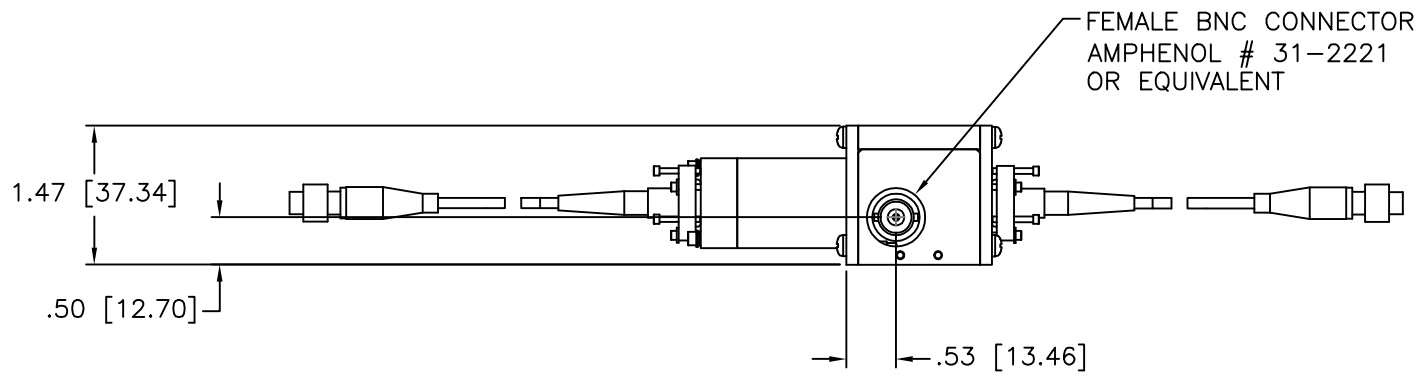


- NOTES: UNLESS OTHERWISE SPECIFIED
1. DRAWING PREPARED IN ACCORDANCE WITH MIL-STD-100.
 2. INTERPRET 3RD ANGLE PROJECTION. ϕ (ISO-A).
 3. DIMENSIONING AND SYMBOLS PER ASME Y14.5M-1994.

REVISIONS				
ZONE	REV.	DESCRIPTION	CHNG / DATE	APVD / DATE
	B	CHANGE PER ECO 58A19115	RS 11/30/06	CMC 12/14/06



		MATERIAL	UNLESS OTHERWISE SPECIFIED DIMENSIONS ARE IN INCHES. DIMENSIONS AND VALUES IN BRACKETS ARE METRIC. TOLERANCES ARE: DECIMALS: INCHES MILIMETERS .XX ±.01 [±.25] .XXX ±.005 [±.127]		APPROVALS	DATE	NEOS TECHNOLOGIES <small>A Booth & Housage Company</small>			4300C FORTUNE PLACE MELBOURNE, FL 32904 (321)676-9020 FAX: (321)722-4499
		FINISH			DRAWN BY: F. COLLETT	6/23/04	TITLE OUTLINE, 23080-1-1.06-LTD-FO-HP-PM			
					CHECKED BY:		SIZE D	DWG NO. 53D3030	REV. B	
NEXT ASSY	USED ON				ENGINEERING: WS	6/24/04	SCALE NONE	FILE 53D3030B	SHEET 1 OF 1	
APPLICATION		DO NOT SCALE DRAWING			APPROVED: CMC	6/25/04				