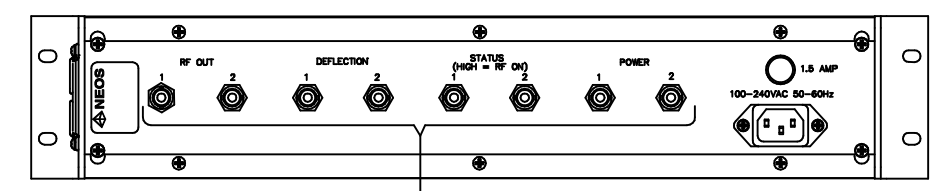
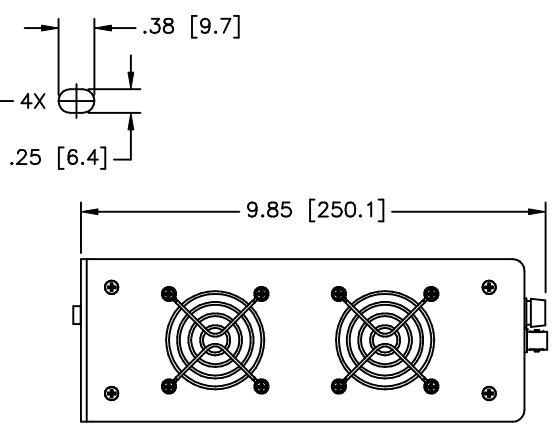
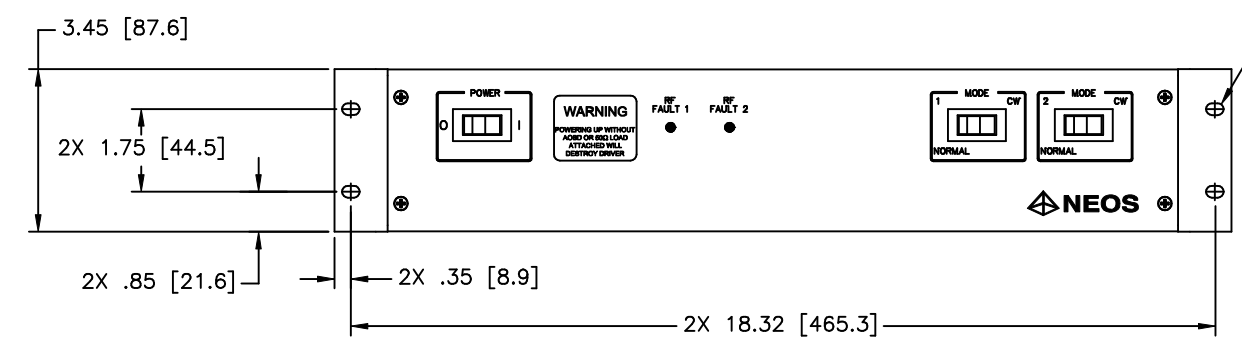
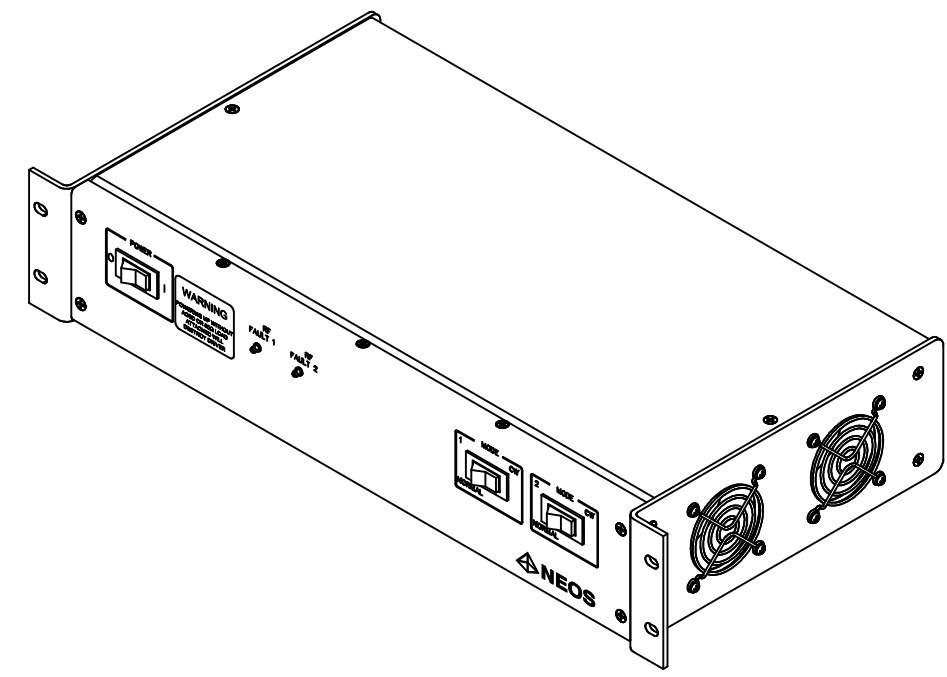
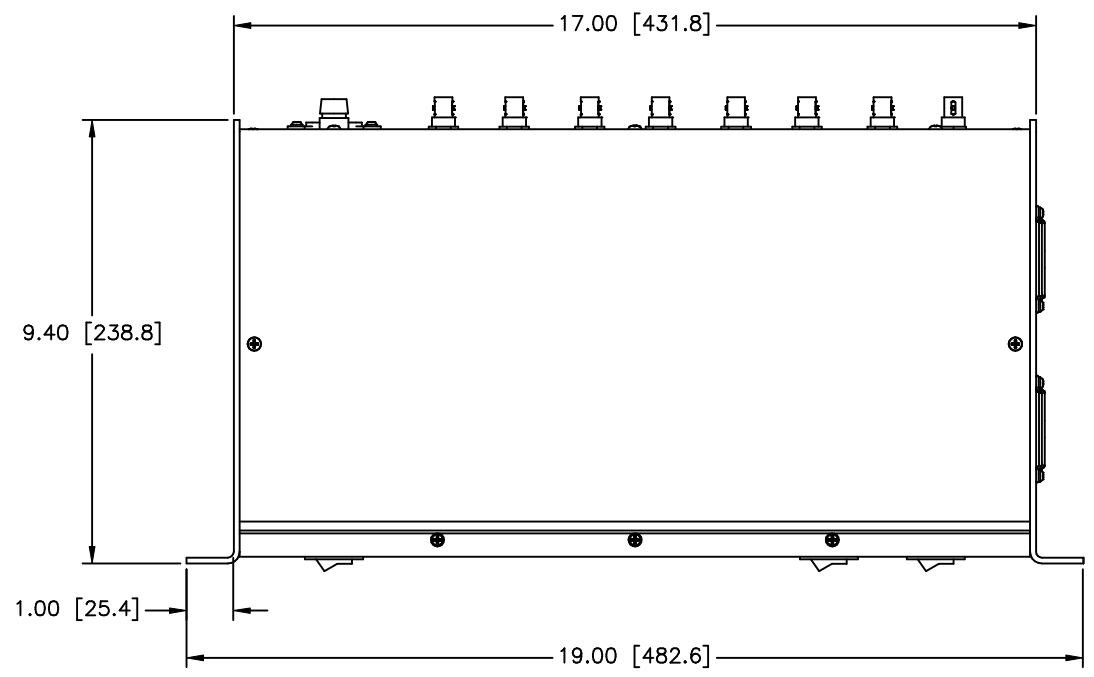


- NOTES: UNLESS OTHERWISE SPECIFIED
- DRAWING PREPARED IN ACCORDANCE WITH MIL-STD-100.
 - DIMENSIONING AND SYMBOLS PER ASME Y14.5M-1982.
 - INTERPRET 3RD ANGLE PROJECTION.
- ⊕ (ISO-A).

REVISIONS				
ZONE	REV.	DESCRIPTION	CHNG / DATE	APVD / DATE
	C	CHANGE PER ECO 58A17966	SM 4/21/05	CMC 6/2/05



FEMALE BNC
AMPHENOL #86350 OR
EQUIVALENT.
8 PLCS

		MATERIAL	UNLESS OTHERWISE SPECIFIED DIMENSIONS ARE IN INCHES. DIMENSIONS AND VALUES IN BRACKETS ARE METRIC. TOLERANCES ARE: DECIMALS: INCHES MILLIMETERS .XX ±.02 [±.5] .XXX ± [±] ANGLES: ± SURFACE ROUGHNESS: REMOVE ALL BURRS AND SHARP EDGES. DIM. AND SURFACE ROUGHNESS APPLY AFTER COATING.	APPROVALS	DATE	 4005 OPPORTUNITY DRIVE MELBOURNE, FL 32934 (321) 242-7818 FAX: (321) 242-1019	
		FINISH		DRAWN BY: RH / CR	9/20/02		TITLE OUTLINE DRAWING 64090-150-7-ASVCO-2DET
				CHECKED BY: JL / RH	12/02/02		SIZE D
				ENGINEERING: R. HAYES	9/20/02		DWG NO. 53D2248
NEXT ASSY	USED ON		APPROVED: PS	12/02/02	SCALE NONE	REV. C	
APPLICATION		DO NOT SCALE DRAWING			FILE 53D2248C	SHEET 1 OF 1	