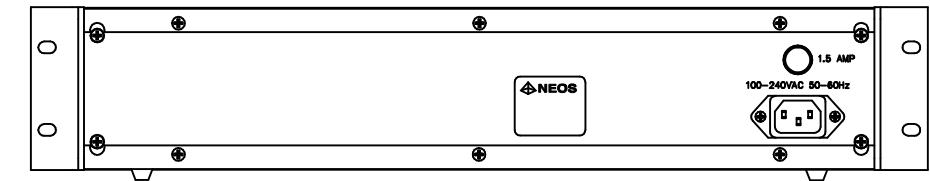
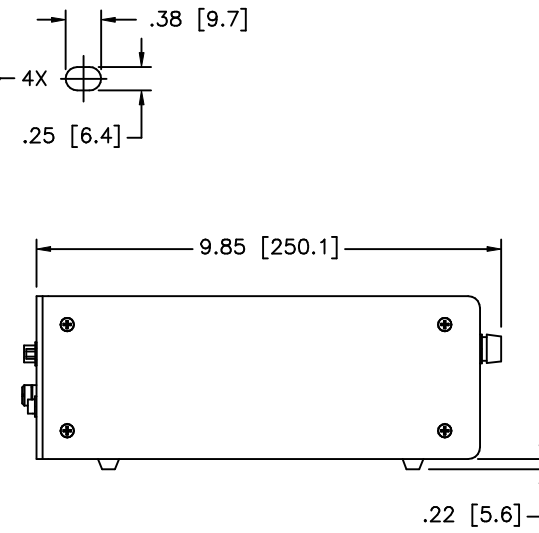
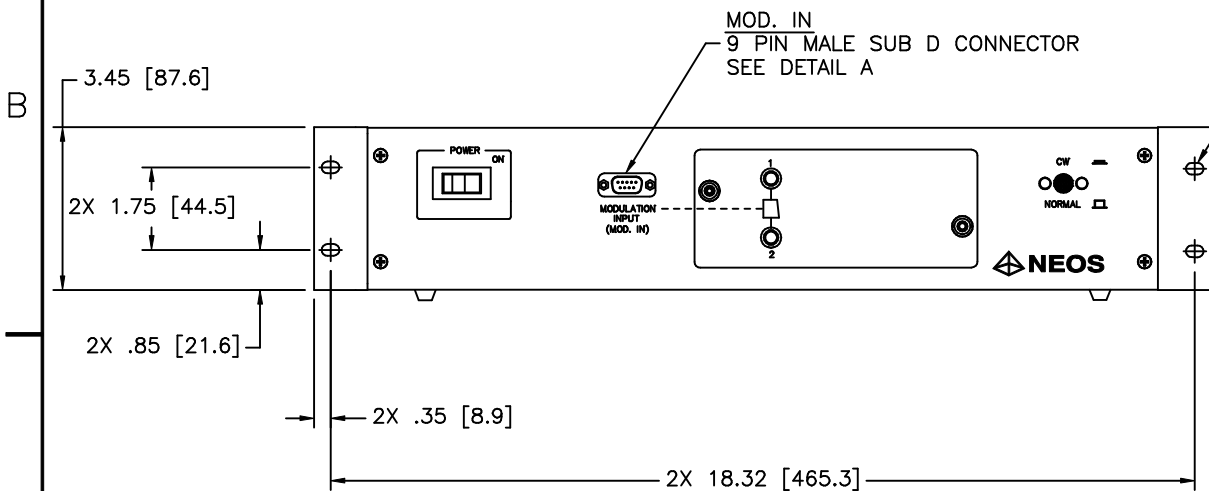
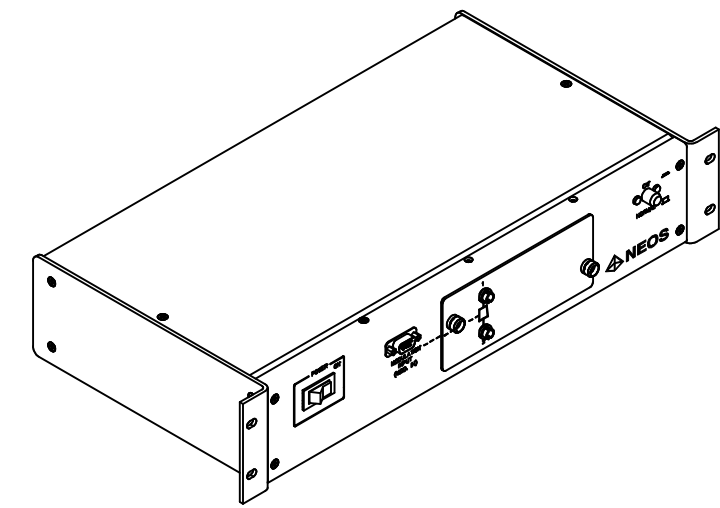
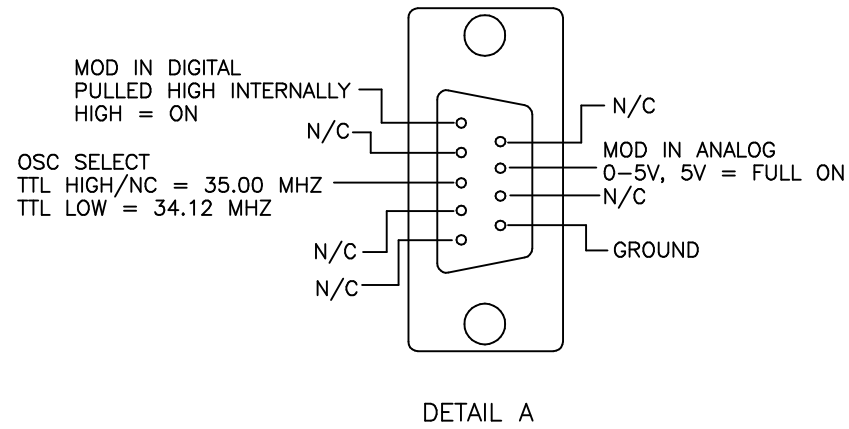
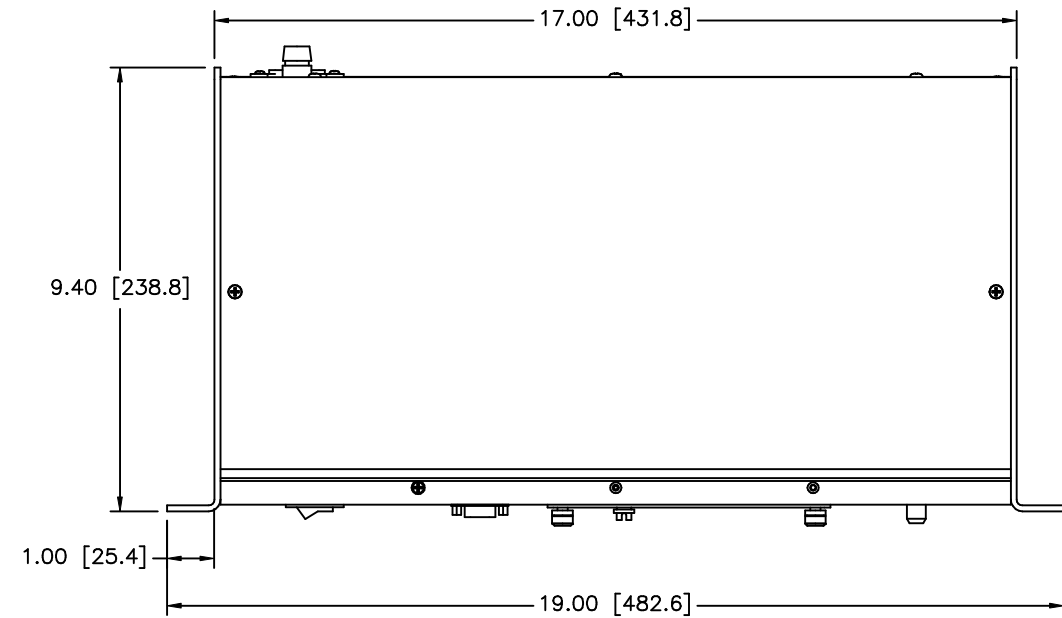


- NOTES: UNLESS OTHERWISE SPECIFIED
1. DRAWING PREPARED IN ACCORDANCE WITH MIL-STD-100.
 2. DIMENSIONING AND SYMBOLS PER ASME Y14.5M-1982.
 3. INTERPRET 3RD ANGLE PROJECTION.
- ⊕ (ISO-A).

REVISIONS				
ZONE	REV.	DESCRIPTION	CHNG / DATE	APVD / DATE
	A	CHANGE PER ECO 58A17966	SM 4/22/05	CMC 5/9/05



		MATERIAL	UNLESS OTHERWISE SPECIFIED DIMENSIONS ARE IN INCHES. DIMENSIONS AND VALUES IN BRACKETS ARE METRIC. TOLERANCES ARE: DECIMALS: INCHES MILLIMETERS .XX ±.02 [±.5] .XXX ± [±] ANGLES: ± SURFACE ROUGHNESS: REMOVE ALL BURRS AND SHARP EDGES. DIM. AND SURFACE ROUGHNESS APPLY AFTER COATING.	APPROVALS	DATE	 4005 OPPORTUNITY DRIVE MELBOURNE, FL 32934 (321) 242-7818 FAX: (321) 242-1019	
		FINISH		DRAWN BY: C. RIVENES	9/17/02		TITLE OUTLINE DRAWING
		NEXT ASSY		CHECKED BY: RH	6/6/05		54035/34.12-1.55/1.59-.5DS-1CH
		USED ON		ENGINEERING: JLL	12/04/02		SIZE D
APPLICATION		DO NOT SCALE DRAWING	APPROVED: PS	12/04/02	SCALE NONE	DWG NO. 53D2246	
					FILE 53D2246A	REV. A	
					SHEET 1 OF 1		