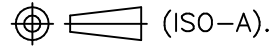


NOTES: UNLESS OTHERWISE SPECIFIED

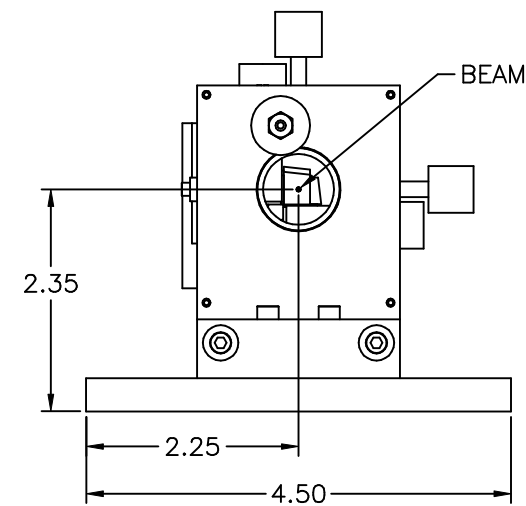
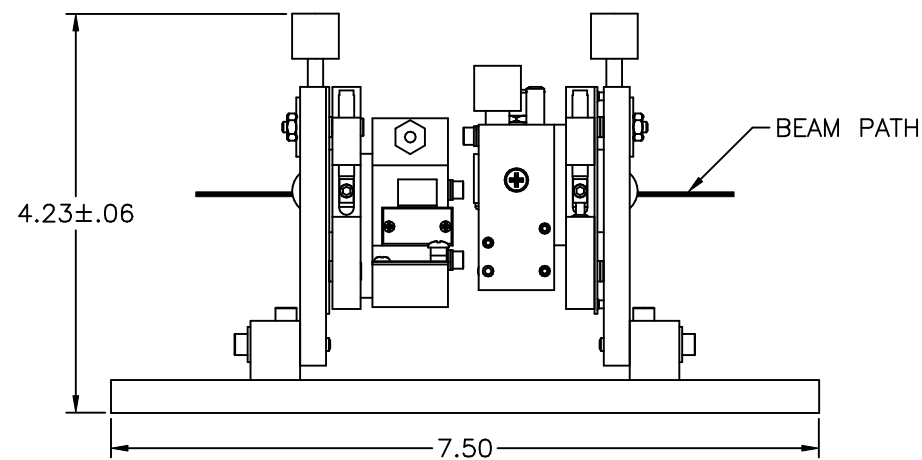
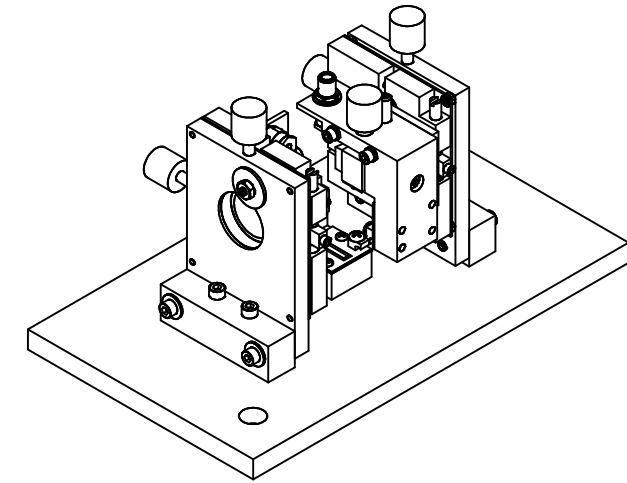
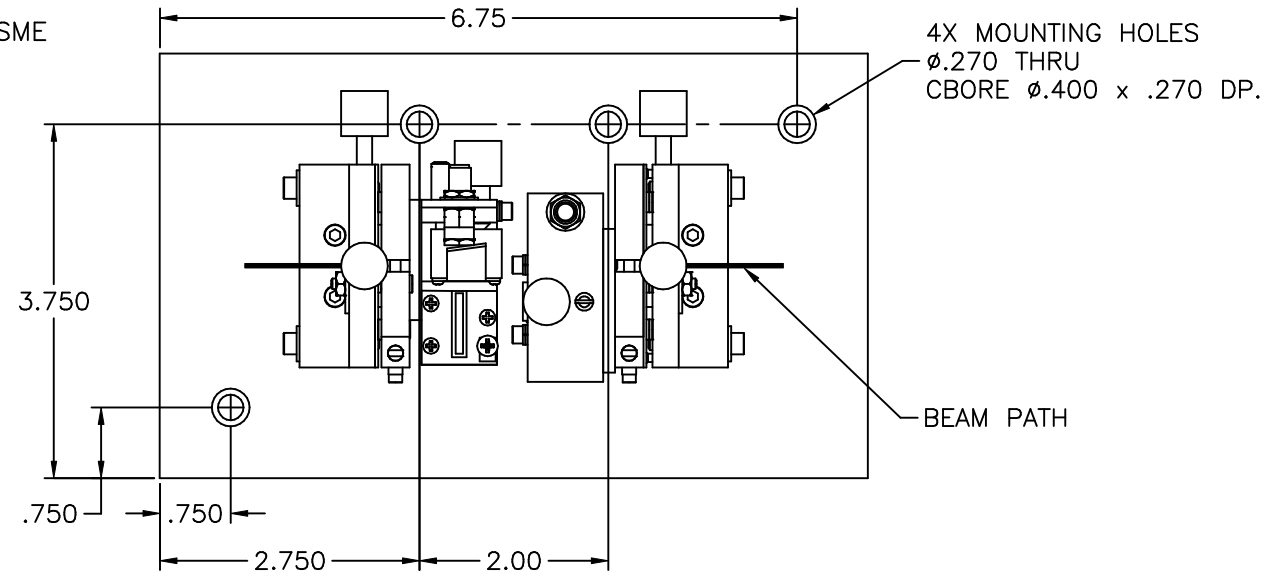
1. DRAWING PREPARED IN ACCORDANCE WITH MIL-STD-100.

2. INTERPRET 3RD ANGLE PROJECTION.



3. DIMENSIONING AND SYMBOLS PER ASME Y14.5M-1982.

REVISIONS				
ZONE	REV.	DESCRIPTION	CHNG / DATE	APVD / DATE



		MATERIAL	UNLESS OTHERWISE SPECIFIED DIMENSIONS ARE IN INCHES TOLERANCES ARE: DECIMALS:    MILLIMETER: .XX ± .02       ± [.25mm] .XXX ± .005    ± [.127mm] ANGLES: ± SURFACE ROUGHNESS REMOVE ALL BURRS AND SHARP EDGES DIM. AND SURFACE ROUGHNESS APPLY AFTER COATING	APPROVALS	DATE	4300-C FORTUNE PLACE MELBOURNE, FL 32904 (321)676-9020 FAX: (321)722-4499	
		FINISH		DRAWN BY: F. COLLETT	10/3/01		TITLE
					CHECKED BY: PS		OUTLINE DRAWING, N72003 / N72006
NEXT ASSY	USED ON				ENGINEERING: WS	10/3/01	SIZE <b>D</b> DWG NO. 53D1970
APPLICATION		DO NOT SCALE DRAWING		APPROVED: PS	10/3/01	SCALE NONE FILE 53D1970 SHEET 1 OF 1	

D

D

C

C

B

B

A

A

1

2

3

4

5

6