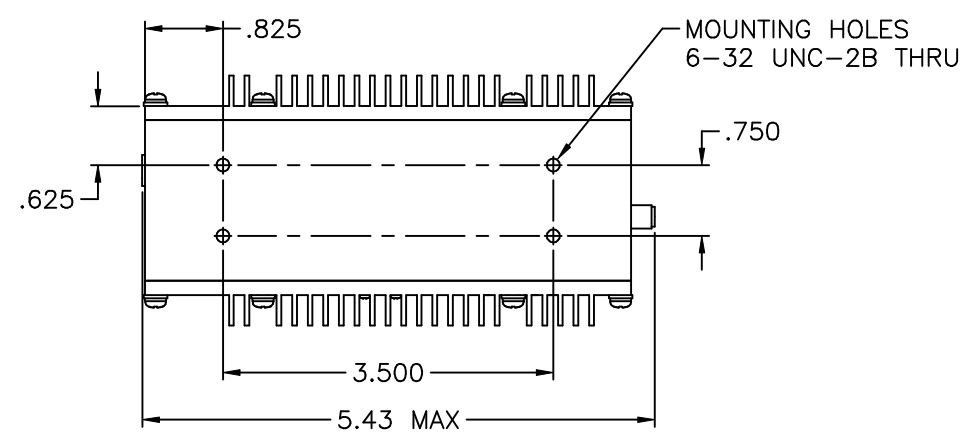
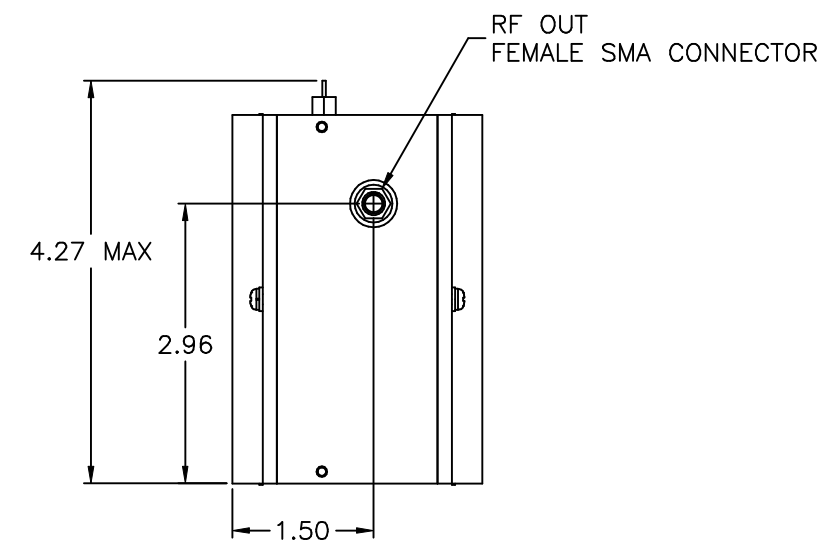
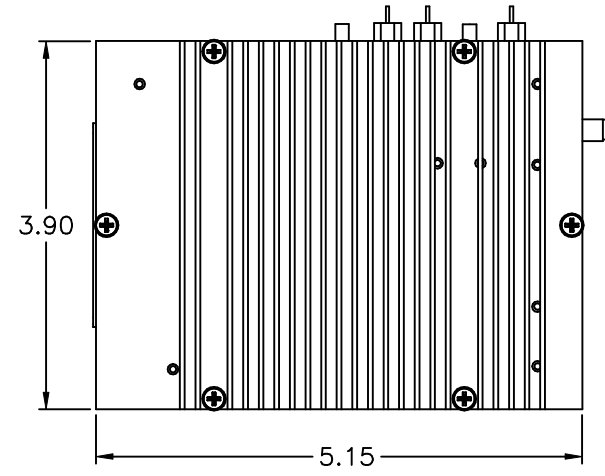
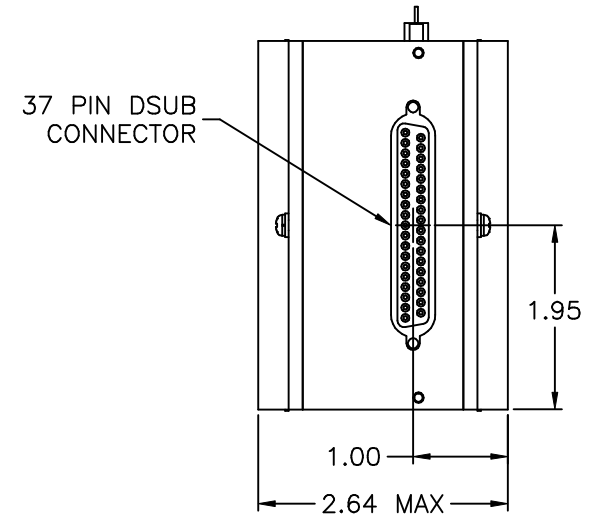
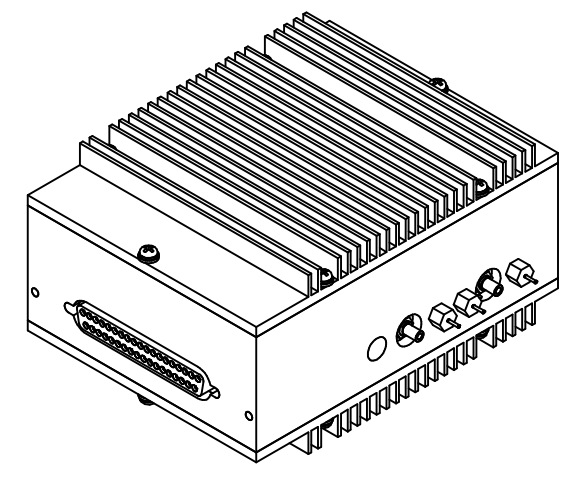
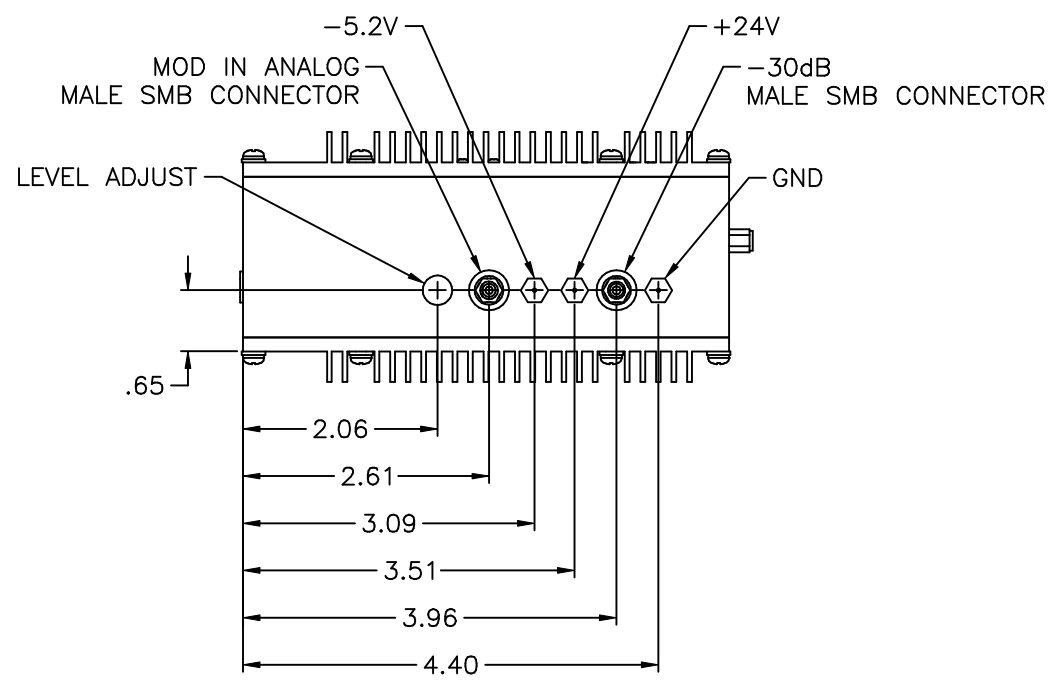


REVISIONS				
ZONE	REV.	DESCRIPTION	CHNG / DATE	APVD / DATE



NEXT ASSY	USED ON
APPLICATION	

MATERIAL
FINISH
DO NOT SCALE DRAWING

UNLESS OTHERWISE SPECIFIED DIMENSIONS ARE IN INCHES TOLERANCES ARE:
 DECIMALS: .XX ± .01 MILLIMETER: ± [.25mm]
 .XXX ± .005 ± [.127mm]
 ANGLES: ±
 SURFACE ROUGHNESS REMOVE ALL BURRS AND SHARP EDGES
 DIM. AND SURFACE ROUGHNESS APPLY AFTER COATING

APPROVALS	DATE
DRAWN BY: F. COLLETT	9/25/01
CHECKED BY: MC	9/25/01
ENGINEERING:	
APPROVED: PS	9/25/01

		4300-C FORTUNE PLACE MELBOURNE, FL 32904 (321)676-9020 FAX: (321)722-4499	
TITLE OUTLINE DRAWING, N64010-200-4AMDFS			
SIZE D	DWG NO. 53D1964	REV.	
SCALE NONE	FILE 53D1964	SHEET	1 OF 1