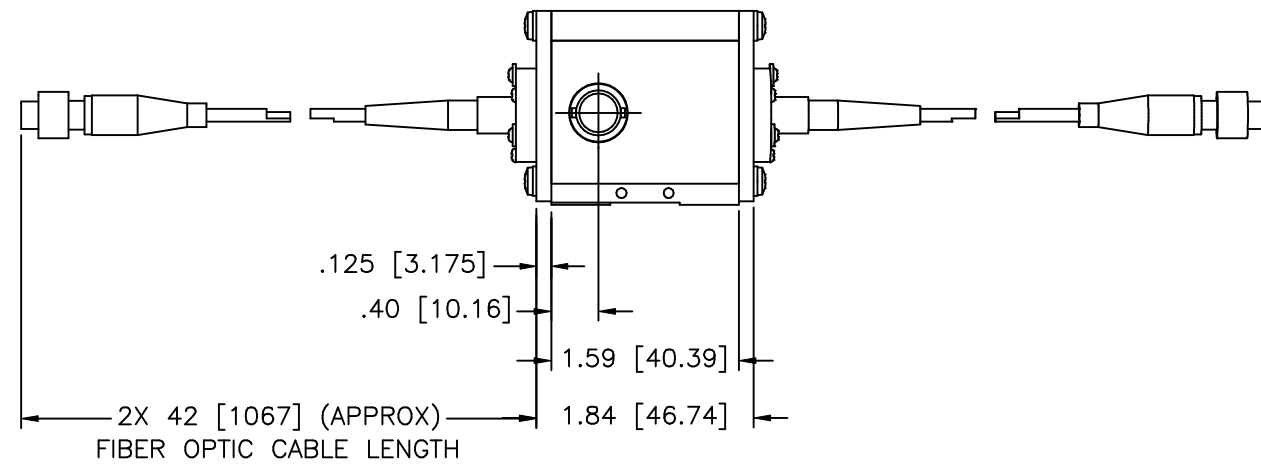
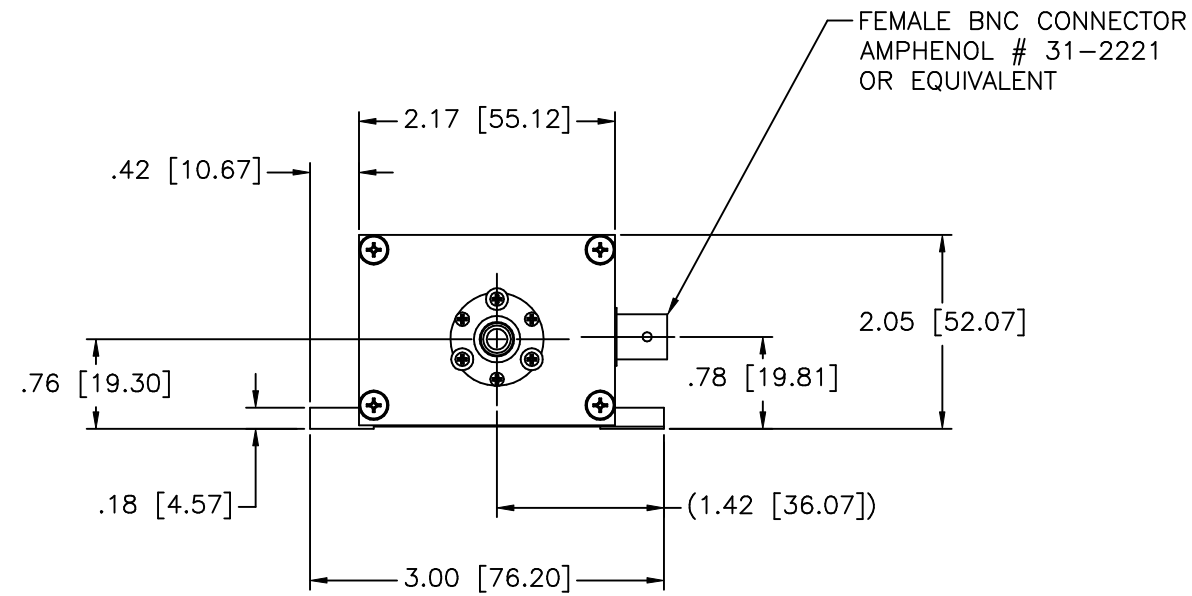
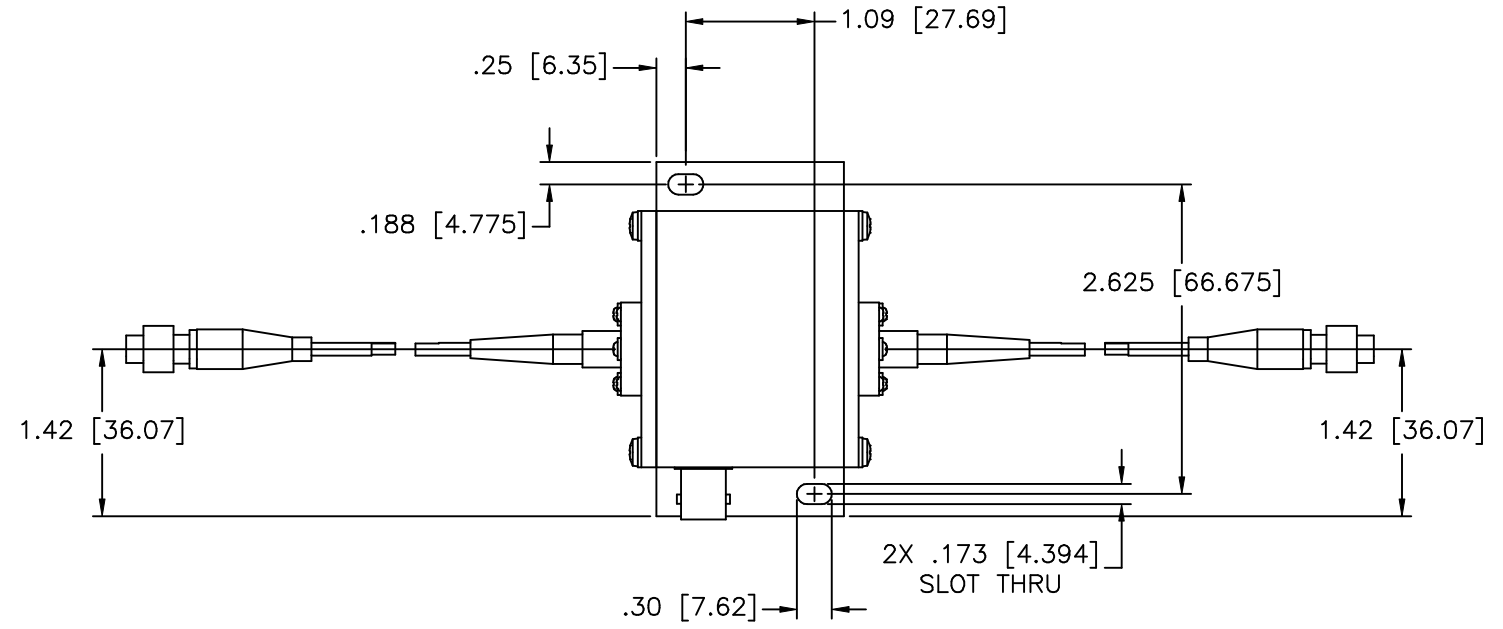
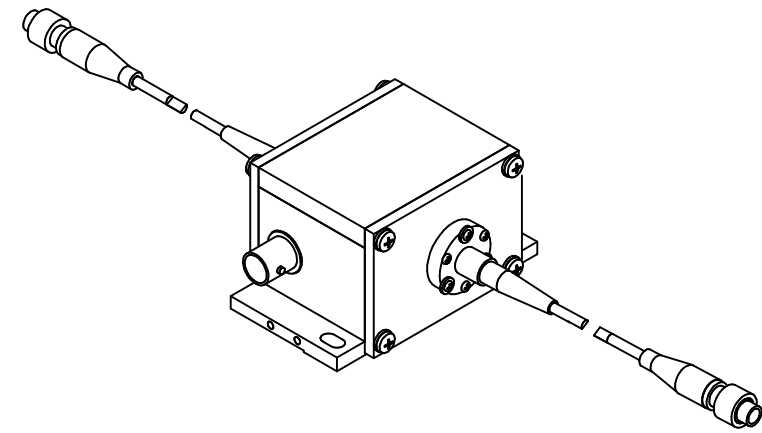


REVISIONS				
ZONE	REV.	DESCRIPTION	CHNG / DATE	APVD / DATE
D		CHANGE PER ECO 58A19090	RS 11/16/06	CMC 11/17/06



		MATERIAL	UNLESS OTHERWISE SPECIFIED DIMENSIONS ARE IN INCHES. DIMENSIONS AND VALUES IN BRACKETS ARE METRIC. TOLERANCES ARE: DECIMALS: INCHES MILIMETERS .XX ±.01 [±.25] .XXX ±.005 [±.127] ANGLES: ±.5° SURFACE ROUGHNESS: 63 ✓ REMOVE ALL BURRS AND SHARP EDGES. DIM. AND SURFACE ROUGHNESS APPLY AFTER COATING.	APPROVALS	DATE	4300-C FORTUNE PLACE MELBOURNE, FL 32904 (321)676-9020 FAX: (321)722-4499	
		FINISH		DRAWN BY: CARBONELL	7/20/01		TITLE OUTLINE DRAWING, 26027-2-1.55-LTD-FO
NEXT ASSY	USED ON			CHECKED BY:		SIZE D	DWG NO. 53D1941
APPLICATION		DO NOT SCALE DRAWING		ENGINEERING: EY	7/23/01	SCALE	REV. D
			APPROVED: CMC	7/23/01	FILE 53D1941D	SHEET 1 OF 1	