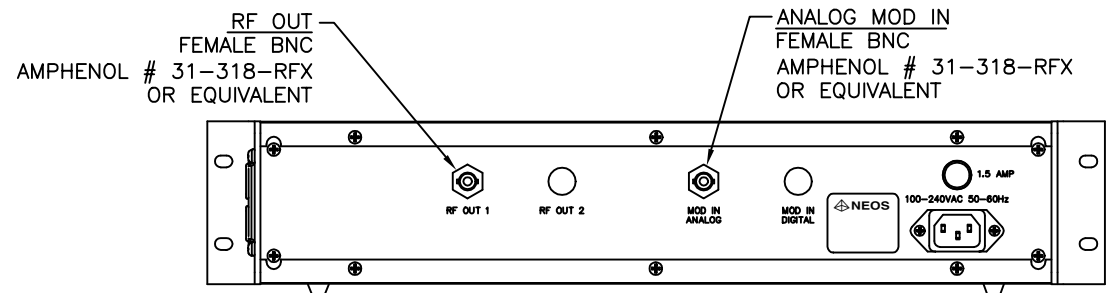
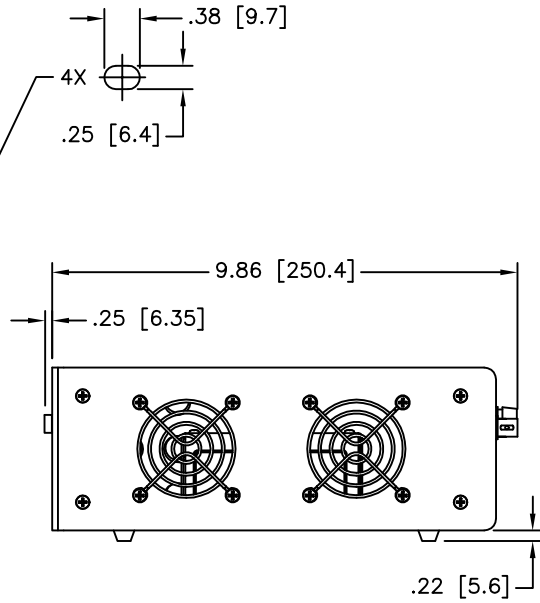
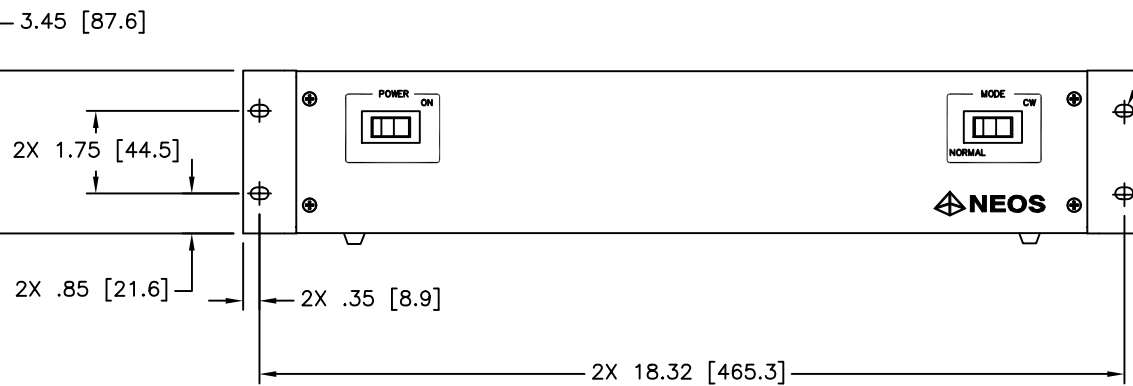
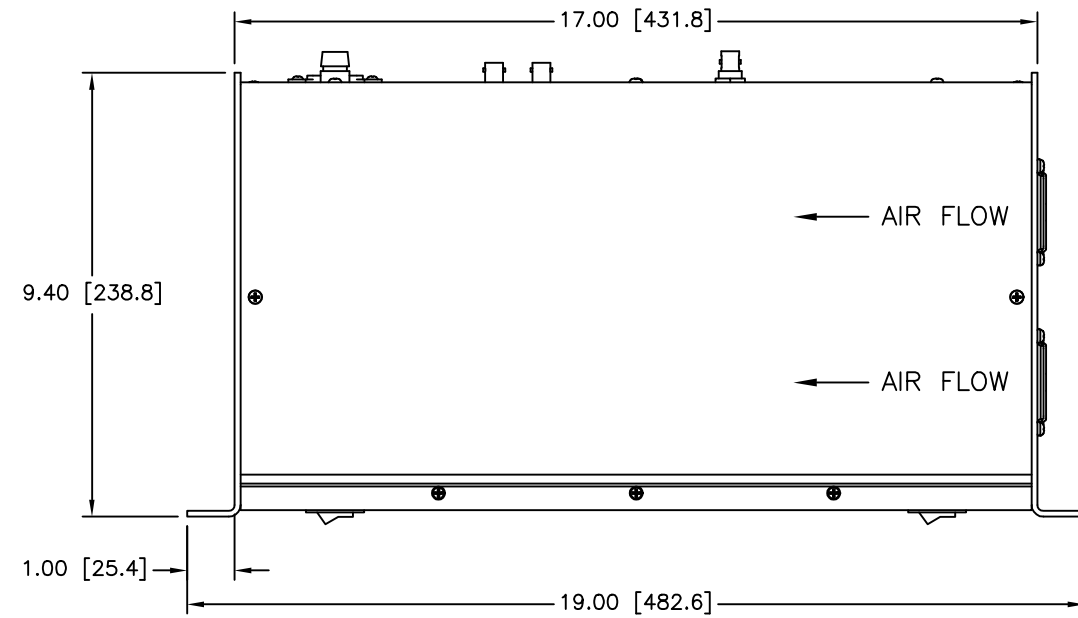
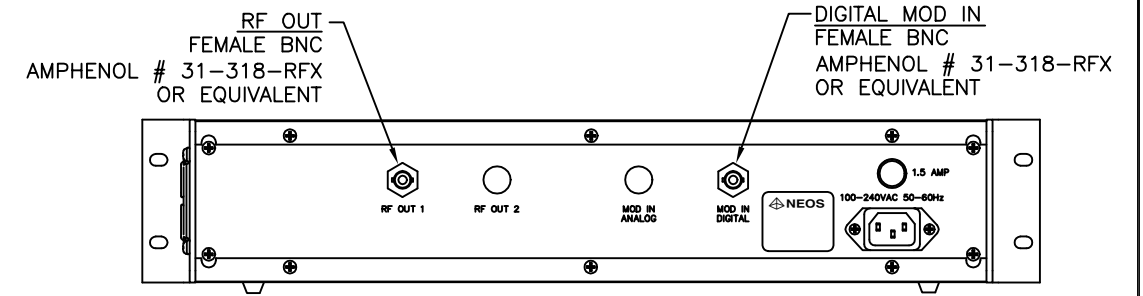


REVISIONS				
ZONE	REV.	DESCRIPTION	CHNG / DATE	APVD / DATE
	A	CHANGE PER ECO 58A18431	RS 10/26/05	CAM 11/2/05

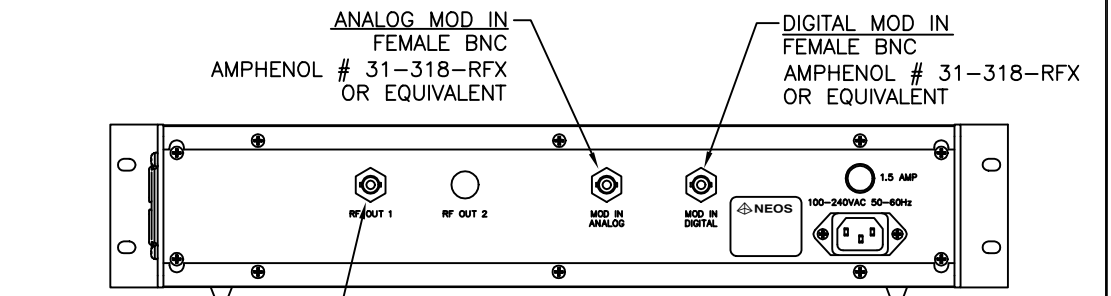
- NOTES: UNLESS OTHERWISE SPECIFIED
- DRAWING PREPARED IN ACCORDANCE WITH MIL-STD-100.
 - DIMENSIONING AND SYMBOLS PER ASME Y14.5M-1994.
 - INTERPRET 3RD ANGLE PROJECTION.
- ⊕ (ISO-A).



AS VERSION



DS VERSION



ADS VERSION

		MATERIAL	UNLESS OTHERWISE SPECIFIED DIMENSIONS ARE IN INCHES. DIMENSIONS AND VALUES IN BRACKETS ARE METRIC. TOLERANCES ARE: DECIMALS: INCHES MILLIMETERS .XX ±.02 [±.50] .XXX ± [±] ANGLES: ± SURFACE ROUGHNESS: ✓ REMOVE ALL BURRS AND SHARP EDGES. DIM. AND SURFACE ROUGHNESS APPLY AFTER COATING.	APPROVALS	DATE	 4005 OPPORTUNITY DRIVE MELBOURNE, FL 32934 (321) 242-7818 FAX: (321) 242-1019	
		FINISH		DRAWN BY: F. COLLETT	6/18/99	TITLE OUTLINE DRAWING, 21/31 AS/DS/ADS	
		NEXT ASSY		CHECKED BY: CMC	11/29/04	SIZE D	DWG NO. 53D1702
		USED ON		ENGINEERING: FS	11/29/04	SCALE NONE	REV. B
APPLICATION		DO NOT SCALE DRAWING	APPROVED: CMC	11/29/04	FILE 53D1702B	SHEET 1 OF 1	