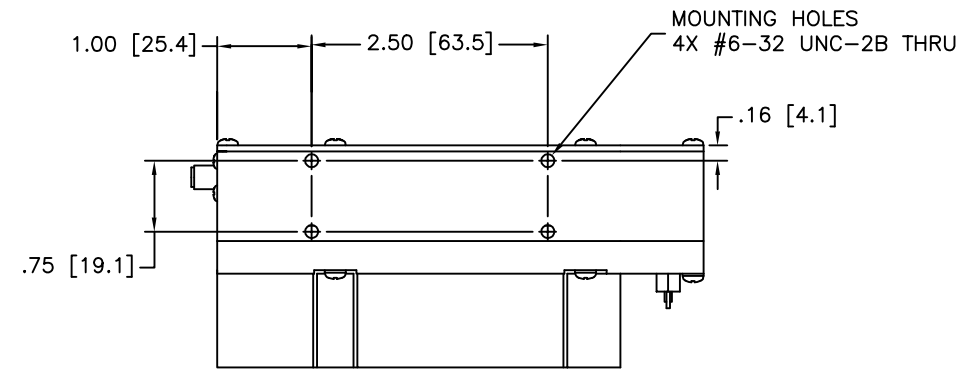
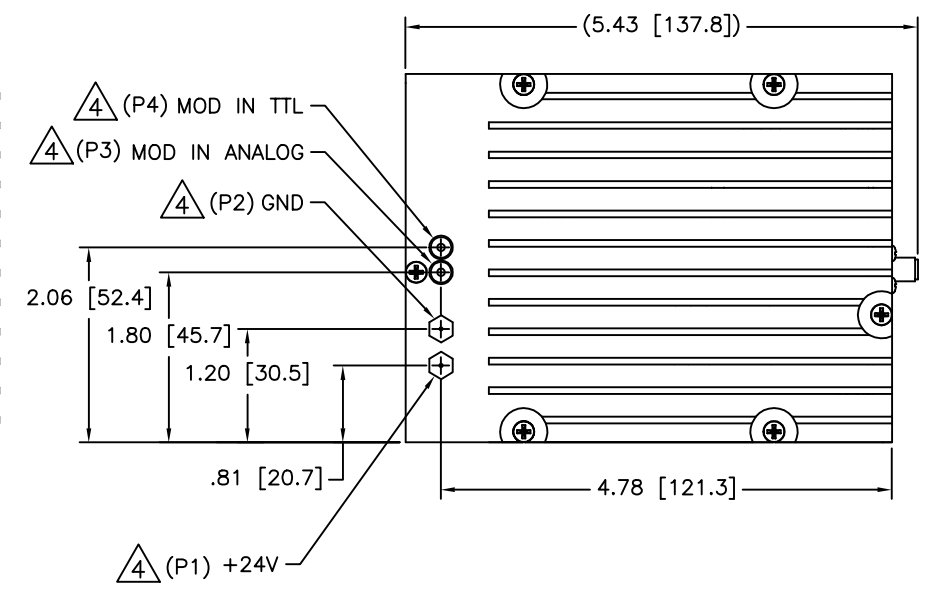
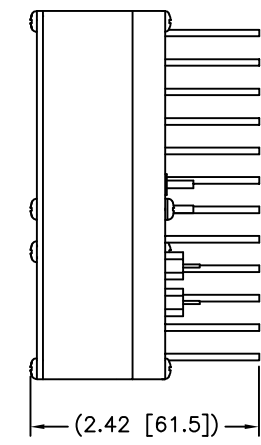
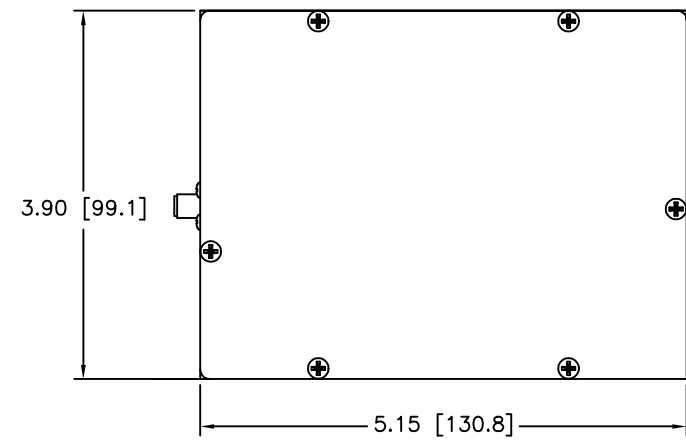
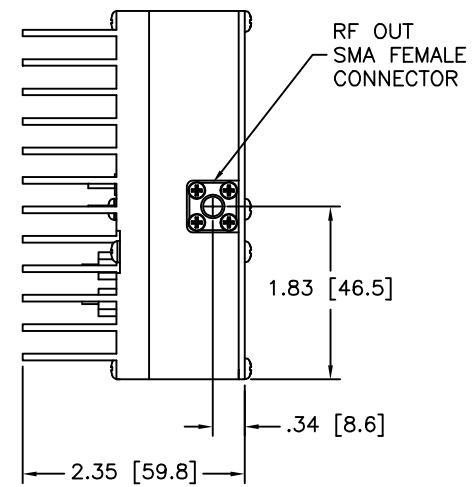
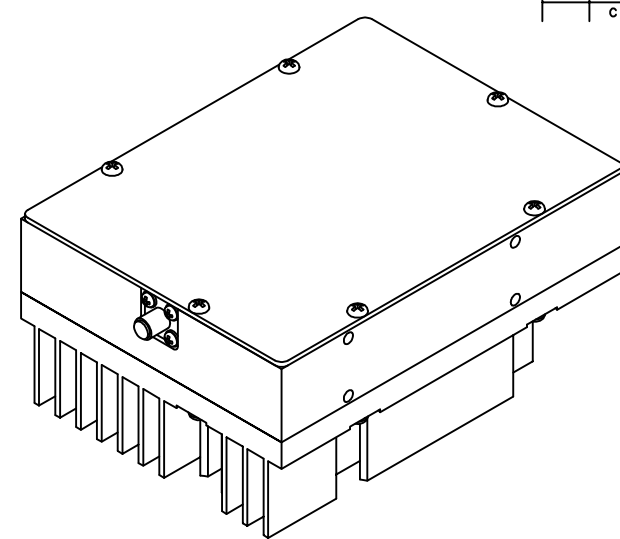
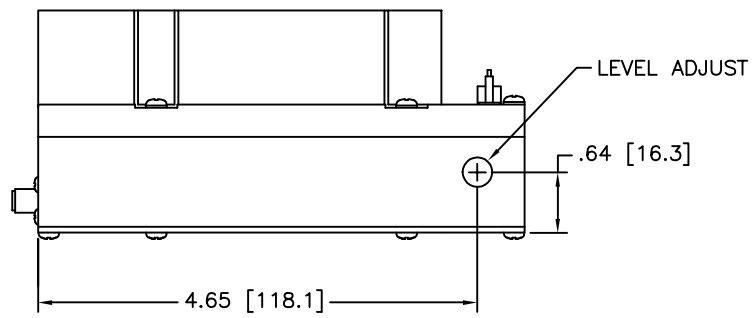


NOTES: UNLESS OTHERWISE SPECIFIED
 1. DRAWING PREPARED IN ACCORDANCE WITH MIL-STD-100.
 2. DIMENSIONING AND SYMBOLS PER ASME Y14.5M-1982.
 3. INTERPRET 3RD ANGLE PROJECTION.
 (ISO-A).
 SEE CHART FOR SPECIFIC MODEL AND AVAILABLE CONNECTIONS.

REVISIONS				
ZONE	REV.	DESCRIPTION	CHNG / DATE	APVD / DATE
	c	CHANGE PER ECO 58A18390	RS 10/11/05	CAM 10/19/05



MODEL	AVAILABLE CONNECTIONS			
	P1	P2	P3	P4
31XXX-XDM-	X	X		X
31XXX-XAM-	X	X	X	
31XXX-XADM-	X	X	X	X

MATERIAL		UNLESS OTHERWISE SPECIFIED DIMENSIONS ARE IN INCHES. DIMENSIONS AND VALUES IN BRACKETS ARE METRIC. TOLERANCES ARE: DECIMALS: INCHES MILLIMETERS .XX ±.02 [±.5] .XXX ± [±] ANGLES: ± SURFACE ROUGHNESS: REMOVE ALL BURRS AND SHARP EDGES. DIM. AND SURFACE ROUGHNESS APPLY AFTER COATING.	APPROVALS	DATE	4005 OPPORTUNITY DRIVE MELBOURNE, FL 32934 (321) 242-7818 FAX: (321) 242-1019	
FINISH			DRAWN BY: F. COLLETT	2/16/99	TITLE OUTLINE DRAWING 31XXX-XXX	
NEXT ASSY		USED ON	CHECKED BY:	ENGINEERING: JLL	5/11/01	SIZE D
APPLICATION		DO NOT SCALE DRAWING	APPROVED: CMC	5/14/01	SCALE NONE	DWG NO. 53D1597
					FILE 53D1597C	REV. C
					SHEET 1 OF 1	