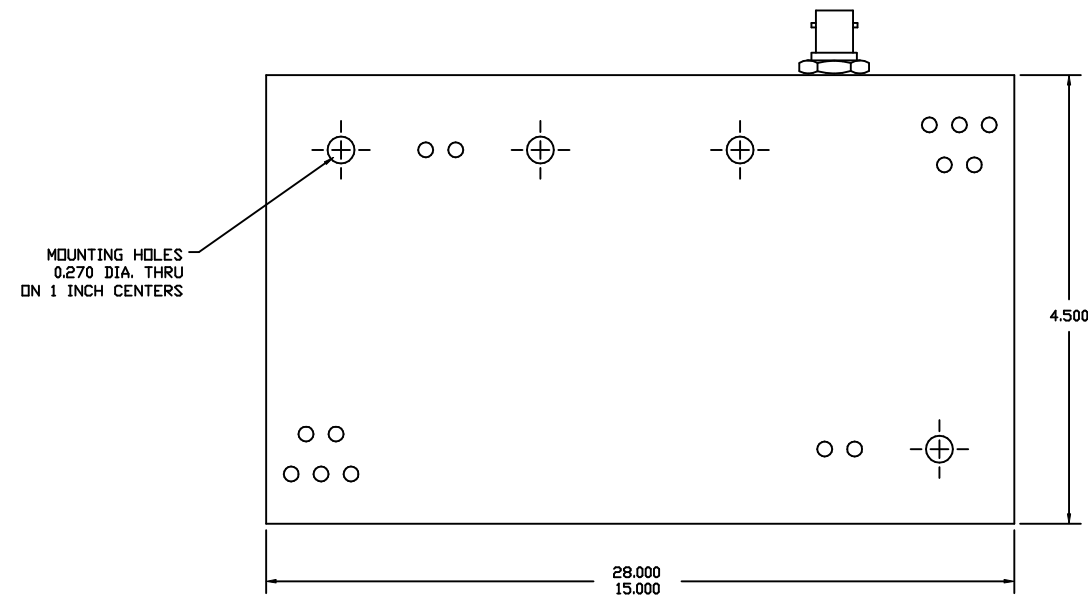
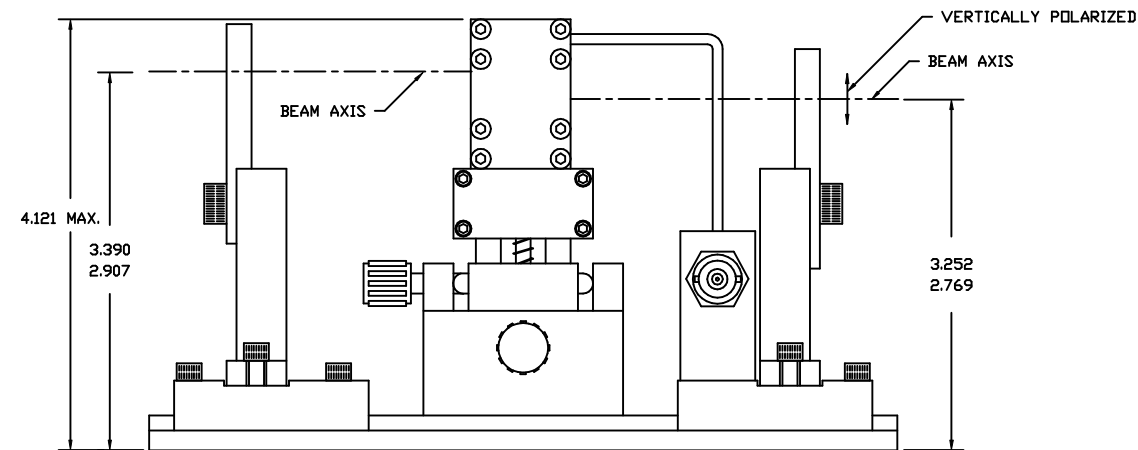
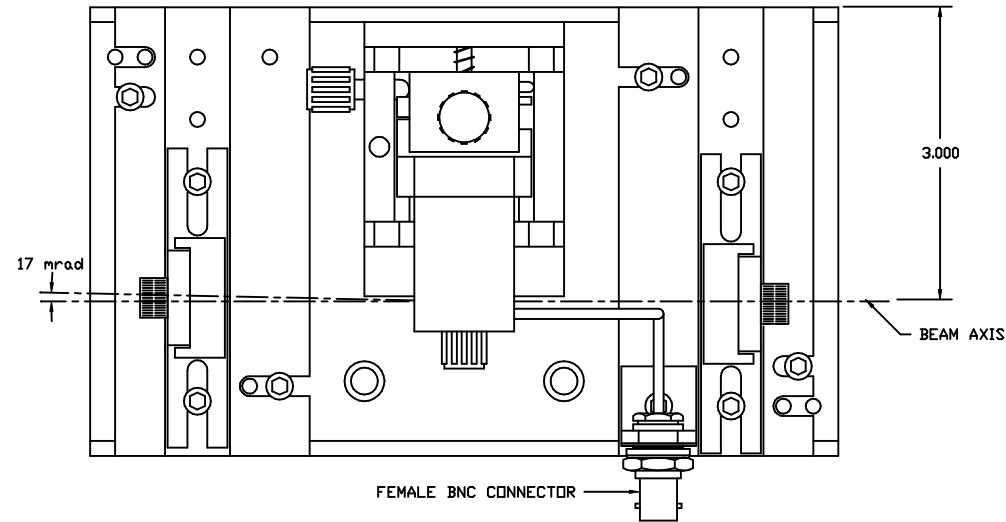


REVISIONS				
ZONE	REV.	DESCRIPTION	DATE	APPROVED
	A	CHANGED NAME PER ECO 58A00949	9/4/86	
	B	CHANGED PER ECO 58A04917	5/29/92	G.T.

NOTES: UNLESS OTHERWISE SPECIFIED



REFERENCE NO.	QTY REQ'D	PART OR IDENTIFYING NO.	NOMENCLATURE OR DESCRIPTION	MANUFACTURER
PARTS LIST				
UNLESS OTHERWISE SPECIFIED DIMENSIONS ARE IN INCHES TOLERANCES ARE:		CONTRACT NO.		
DECIMALS	ANGLES	APPROVALS	DATE	NEOS OUTLINE, N35210
.XX ±	±	DRAWN		
.XXX ±		P. SHANNONHOUSE	8/6/86	
		CHECKED	P.S. 5/29/92	
MATERIAL		ISSUED		SIZE
FINISH				D
NEXT ASSY	USED ON	APPLICATION	DO NOT SCALE DRAWING	FSCM NO.
				DWG. NO.
				53D00307
				REV.
				B
				SCALE
				1/1
				FILE NO.
				53D00307C
				SHEET
				1 OF 1