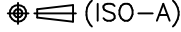
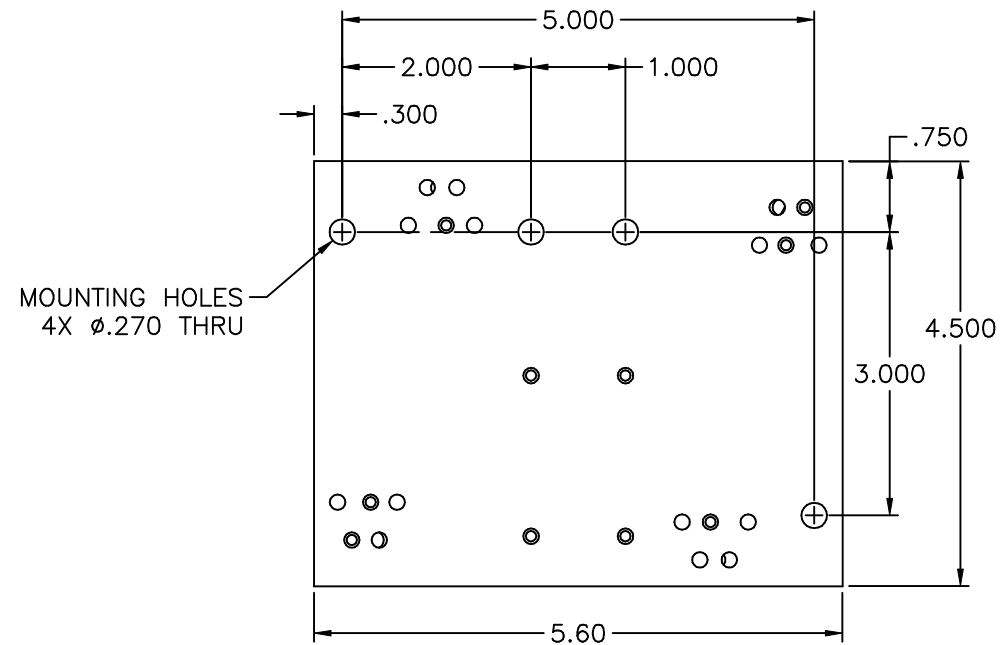
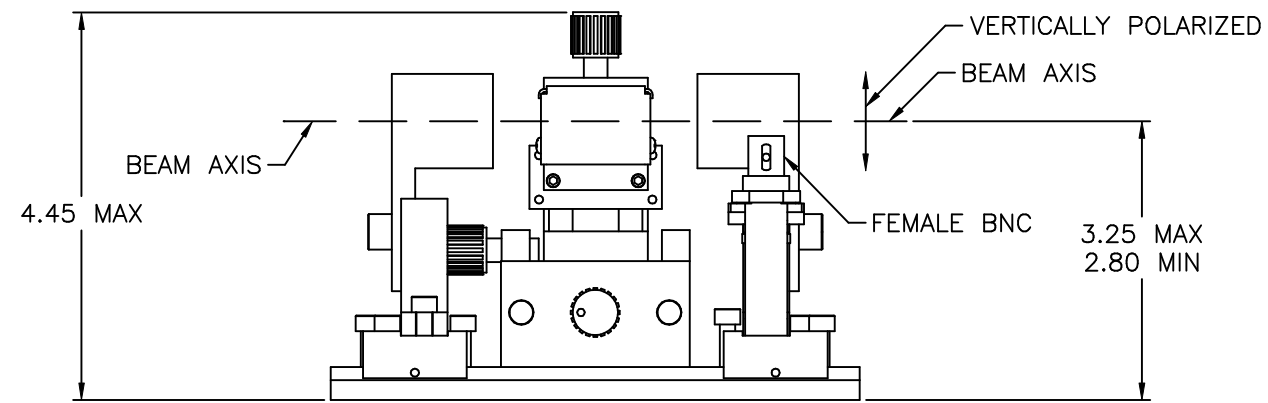
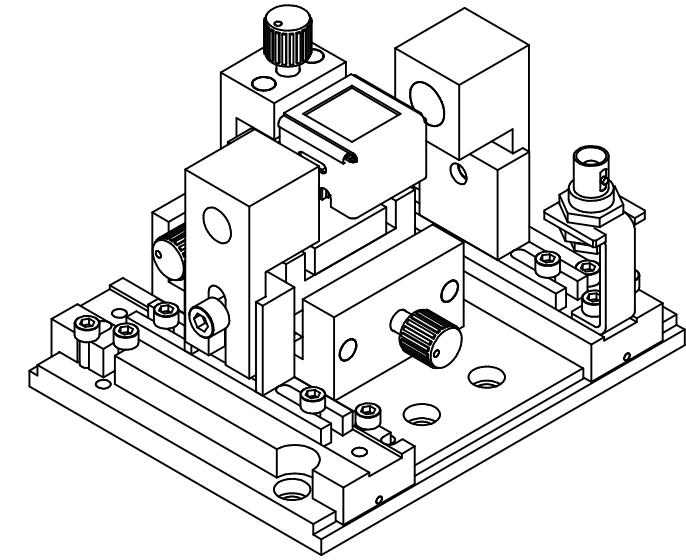
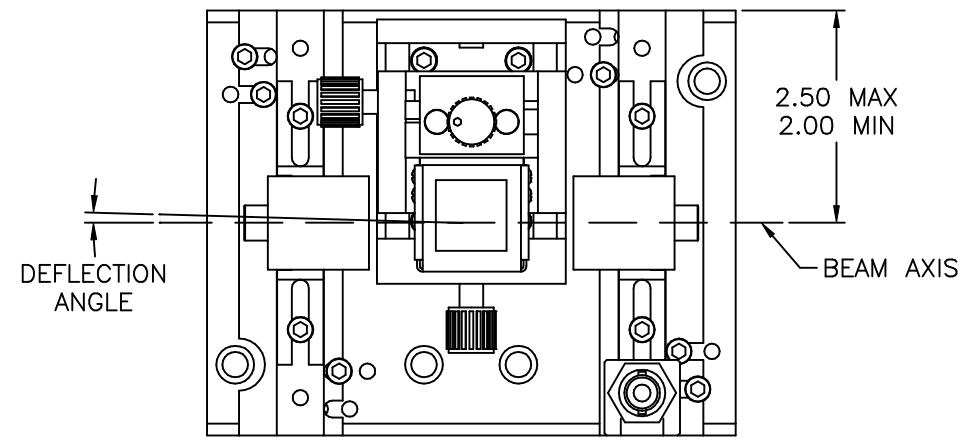



- NOTES: UNLESS OTHERWISE SPECIFIED
1. DRAWING PREPARED IN ACCORDANCE WITH MIL-STD-100.
  2. INTERPRET 3RD ANGLE PROJECTION.  
 (ISO-A).
  3. DIMENSIONING AND SYMBOLS PER ASME Y14.5M-1994.

REVISIONS				
ZONE	REV.	DESCRIPTION	CHNG / DATE	APVD / DATE
	C	CHANGE PER ECO 58A15629	FC 9/5/03	PS 9/8/03



		MATERIAL	UNLESS OTHERWISE SPECIFIED DIMENSIONS ARE IN INCHES. DIMENSIONS AND VALUES IN BRACKETS ARE METRIC. TOLERANCES ARE: DECIMALS: INCHES MILIMETERS .XX $\pm$ .01 [ $\pm$ .25] .XXX $\pm$ .005 [ $\pm$ .127] ANGLES: $\pm$ .5' SURFACE ROUGHNESS: REMOVE ALL BURRS AND SHARP EDGES. DIM. AND SURFACE ROUGHNESS APPLY AFTER COATING.	APPROVALS	DATE	 4300-C FORTUNE PLACE MELBOURNE, FL 32904 (321)676-9020 FAX: (321)722-4499
		FINISH		DRAWN BY: P. SHANNONHOUSE CHECKED BY: ENGINEERING: APPROVED:	1/2/87	
NEXT ASSY	USED ON					SIZE <b>D</b> DWG NO. 53D00327 REV. C
APPLICATION		DO NOT SCALE DRAWING				SCALE 1/1 FILE 53D00327C SHEET 1 OF 1