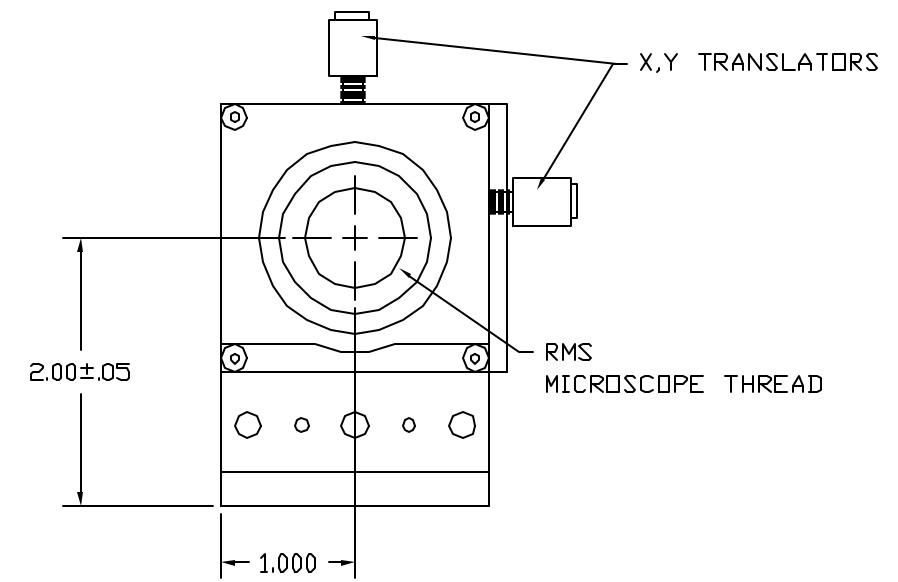
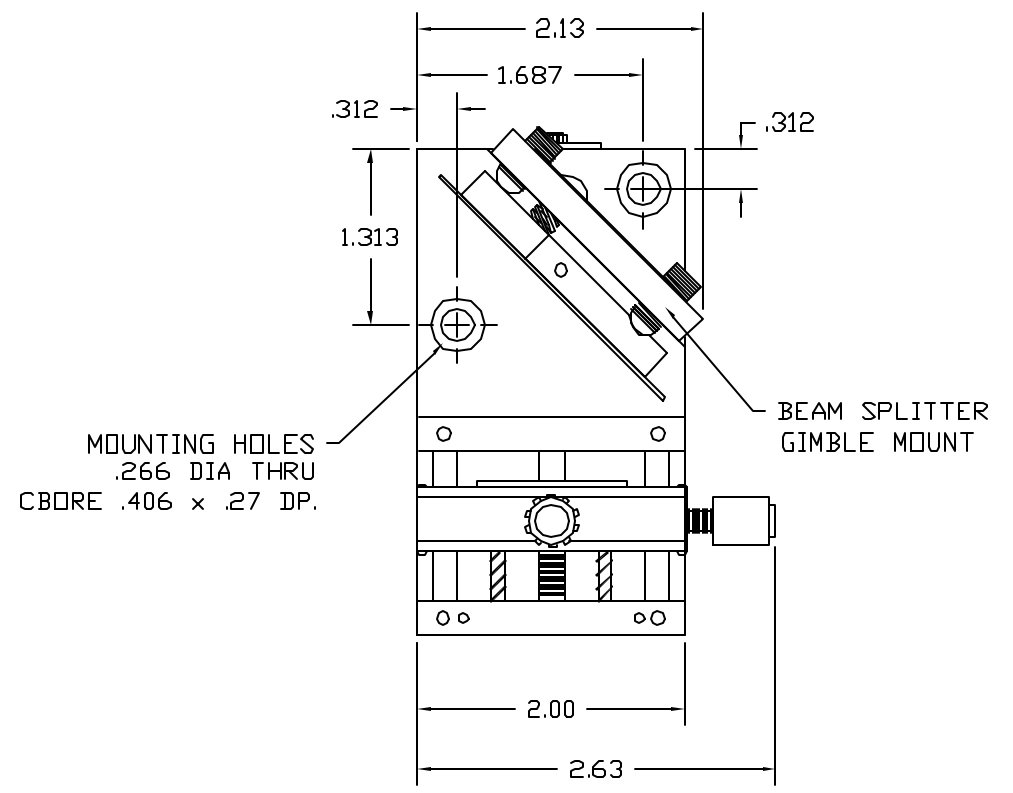
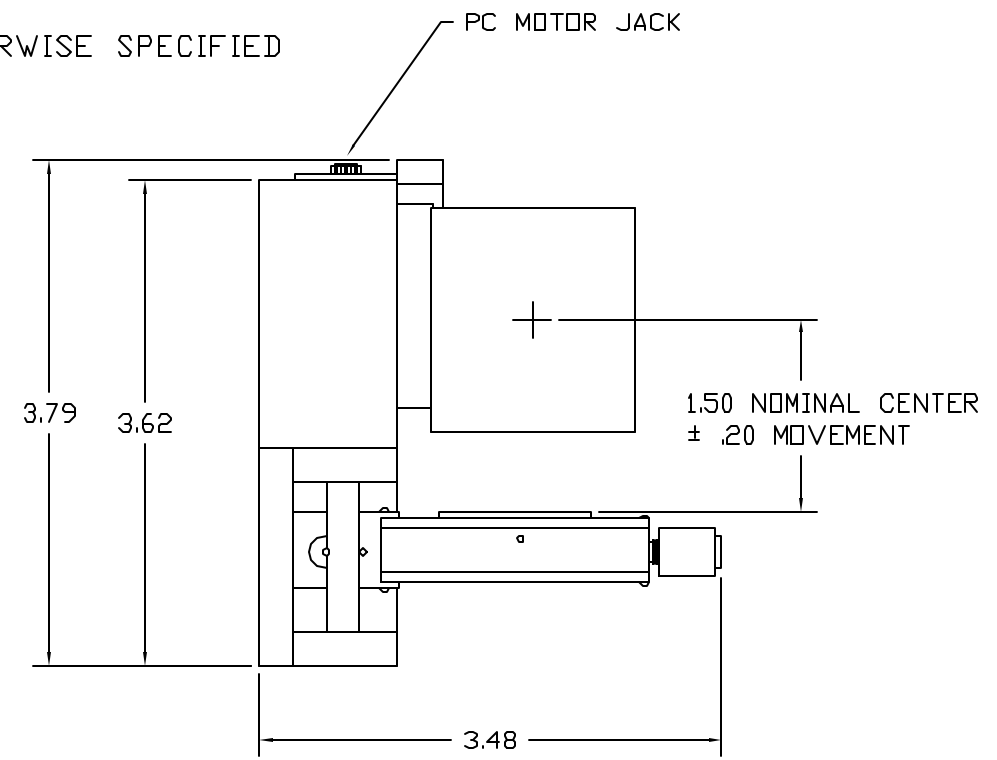


REVISIONS				
ZONE	REV.	DESCRIPTION	DATE	APPROVED

NOTES: UNLESS OTHERWISE SPECIFIED



QTY REQD	FSCM NO.	PART OR IDENTIFYING NO.	NOMENCLATURE OR DESCRIPTION	MATERIAL SPECIFICATION
PARTS LIST				
UNLESS OTHERWISE SPECIFIED DIMENSIONS ARE IN INCHES TOLERANCES ARE:		CONTRACT NO.		
FRACTIONS ±		APPROVALS		
DECIMALS .XX ± .01		DATE		
ANGLES ±		DRAWN		
XXX ±		B.BURKETT		
MATERIAL		10/24/91		
FINISH		CHECKED		
NEXT ASSY		ISSUED		
USED ON		SCALE 1/1		
APPLICATION		FILE 53C00633		



OUTLINE DRAWING, N71007-Z
MOTORIZED Z STAGE

SIZE FSCM NO. DWG NO. 53C00633
SHEET 1 OF 1