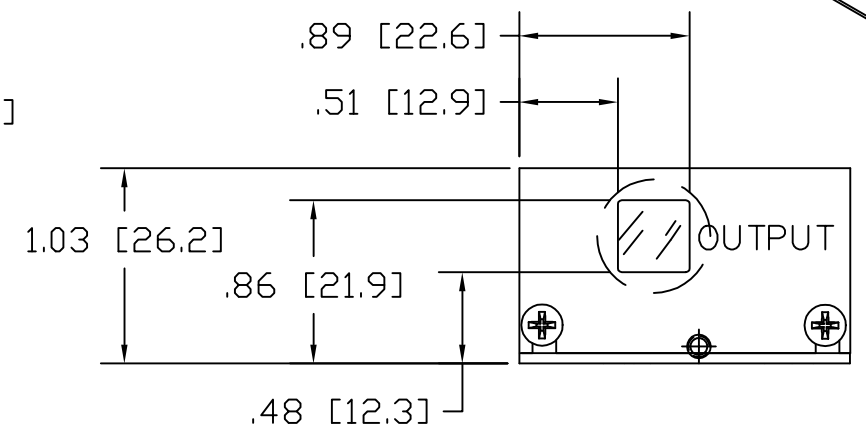
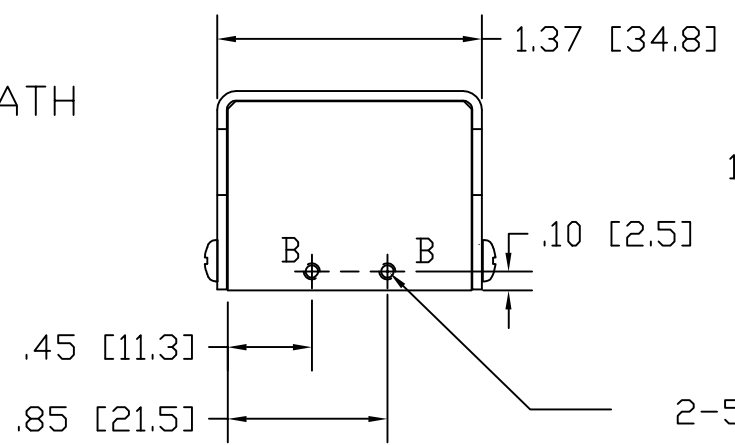
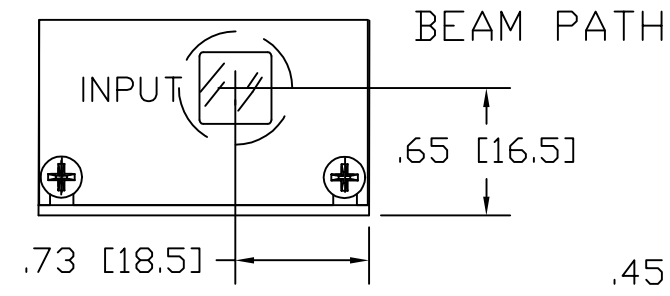
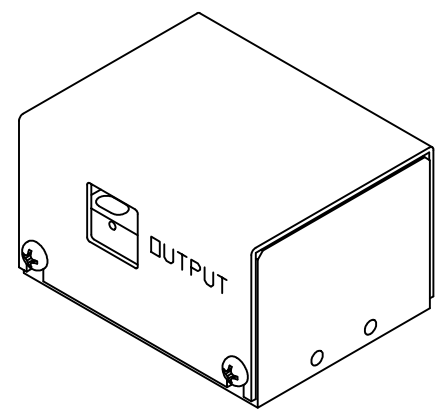
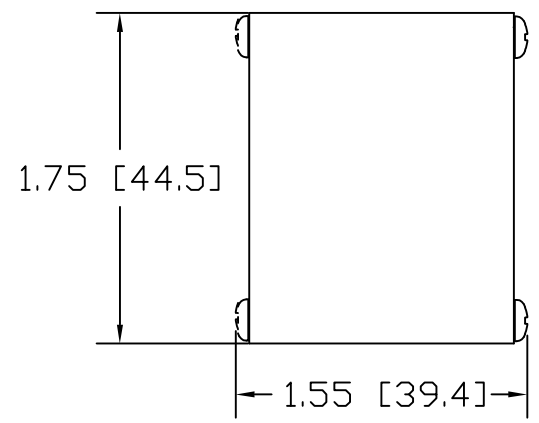


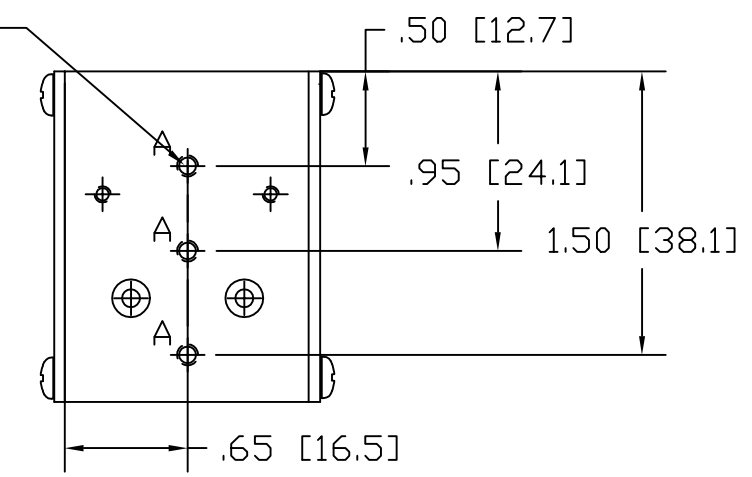
NOTES: UNLESS OTHERWISE SPECIFIED  
 1. DRAWING PREPARED IN ACCORDANCE WITH MIL-STD-100.  
 2. INTERPRET 3RD ANGLE PROJECTION.  $\triangleleft$  (ISO-A).  
 3. DIMENSIONING AND SYMBOLS PER ASME Y14.5M-1994.


REVISIONS				
ZONE	REV.	DESCRIPTION	CHNG / DATE	APVD / DATE



2-56 UNC-2B x .32 DP. 2 PLACES MARKED B

4-40 UNC-2B THRU 3 PLACES MARKED A



		MATERIAL	UNLESS OTHERWISE SPECIFIED DIMENSIONS ARE IN INCHES. DIMENSIONS AND VALUES IN BRACKETS ARE METRIC. TOLERANCES ARE: DECIMALS: INCHES MILLIMETERS .XX ±.02 [±.5] .XXX ± [±] ANGLES: ± SURFACE ROUGHNESS: ✓ REMOVE ALL BURRS AND SHARP EDGES. DIM. AND SURFACE ROUGHNESS APPLY AFTER COATING.	APPROVALS	DATE	 4005 OPPORTUNITY DRIVE MELBOURNE, FL 32934 (321) 242-7818 FAX: (321) 242-1019	
		FINISH		DRAWN BY: S. MORRIS CHECKED BY: ENGINEERING: WS APPROVED: CMC	8/02/05 8/16/05 8/22/05	TITLE OUTLINE DRAWING 72011	
NEXT ASSY	USED ON					SIZE	REV.
APPLICATION		DO NOT SCALE DRAWING				B SCALE	DWG NO. 53B3455
						FILE	SHEET
						53B3455	1 OF 1