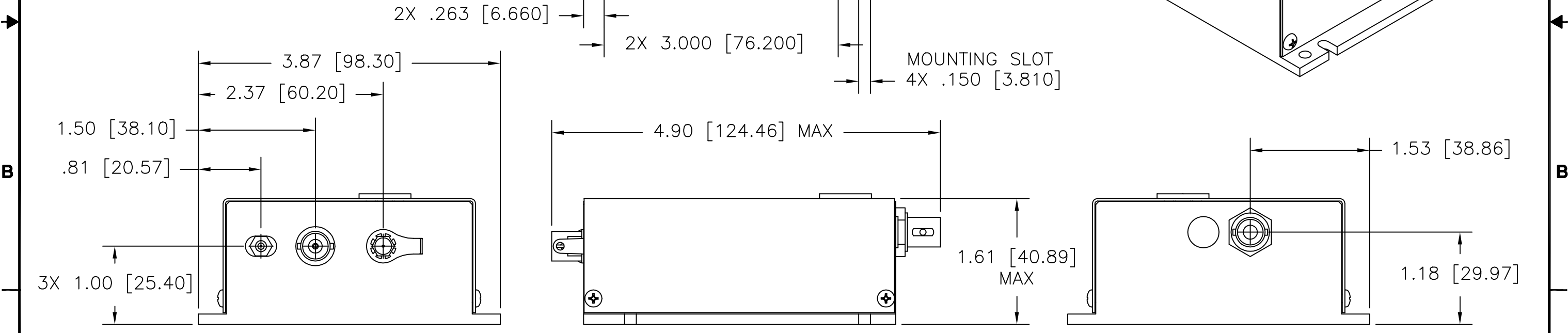
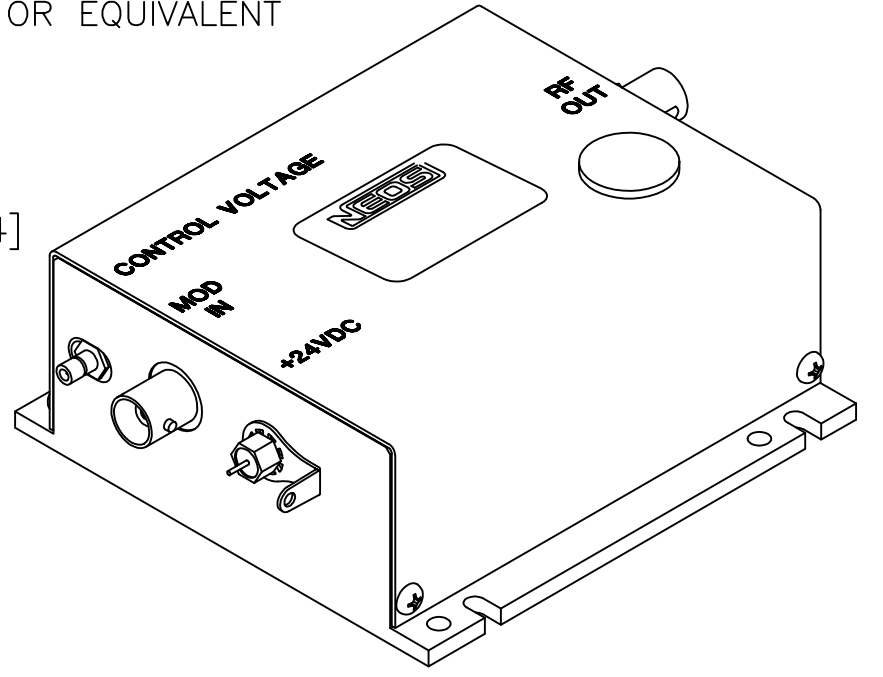
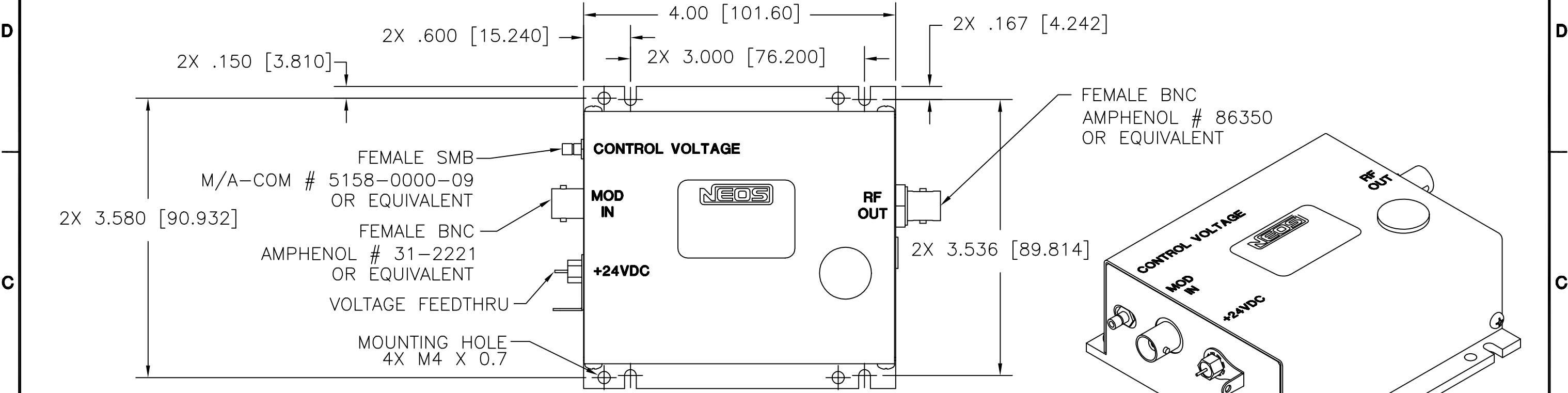


1 2 3 4 5 6

REVISIONS				
ZONE	REV.	DESCRIPTION	CHNG / DATE	APVD / DATE



21065-150-2AMVCO	21110-1AMVCO
	21080-2AMVCO
	21080-1.25AMVCO
	21080-1AMVCO
NEXT ASSY	USED ON
APPLICATION	

MATERIAL	UNLESS OTHERWISE SPECIFIED DIMENSIONS ARE IN INCHES DIMENSIONS AND VALUES IN BRACKETS ARE METRIC TOLERANCES ARE: DECIMALS:
FINISH	INCHES: MILLIMETERS: .XX ±.01 [±.25] .XXX ±.005 [±.127]
	ANGLES: ±.5°
	SURFACE ROUGHNESS: 63/
	REMOVE ALL BURRS AND SHARP EDGES
	DIM. AND SURFACE ROUGHNESS APPLY AFTER COATING
	DO NOT SCALE DRAWING

APPROVALS	DATE
DRAWN BY: R. SAUNDERS	2/7/03
CHECKED BY:	
ENGINEERING: JLL	2/21/03
APPROVED: RVB PS	2/20/03

NEOS
A Gooch and Housego Company

4300-C FORTUNE PLACE
MELBOURNE, FL 32904
(321)676-9020
FAX: (321)722-4499

TITLE
OUTLINE DRAWING,
AOM DRIVER CASE 101

SIZE **B** DWG NO. 53B2939 REV.

SCALE NONE FILE 53B2939 SHEET 1 OF 1

1 2 3 4 5 6