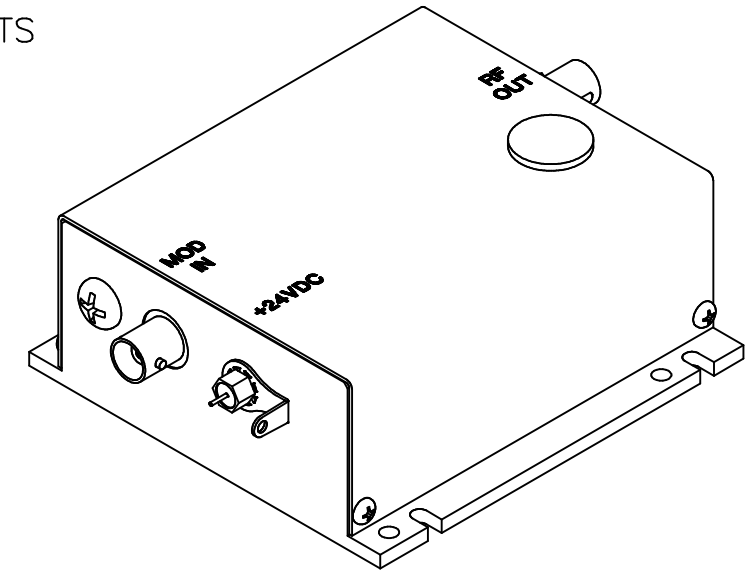
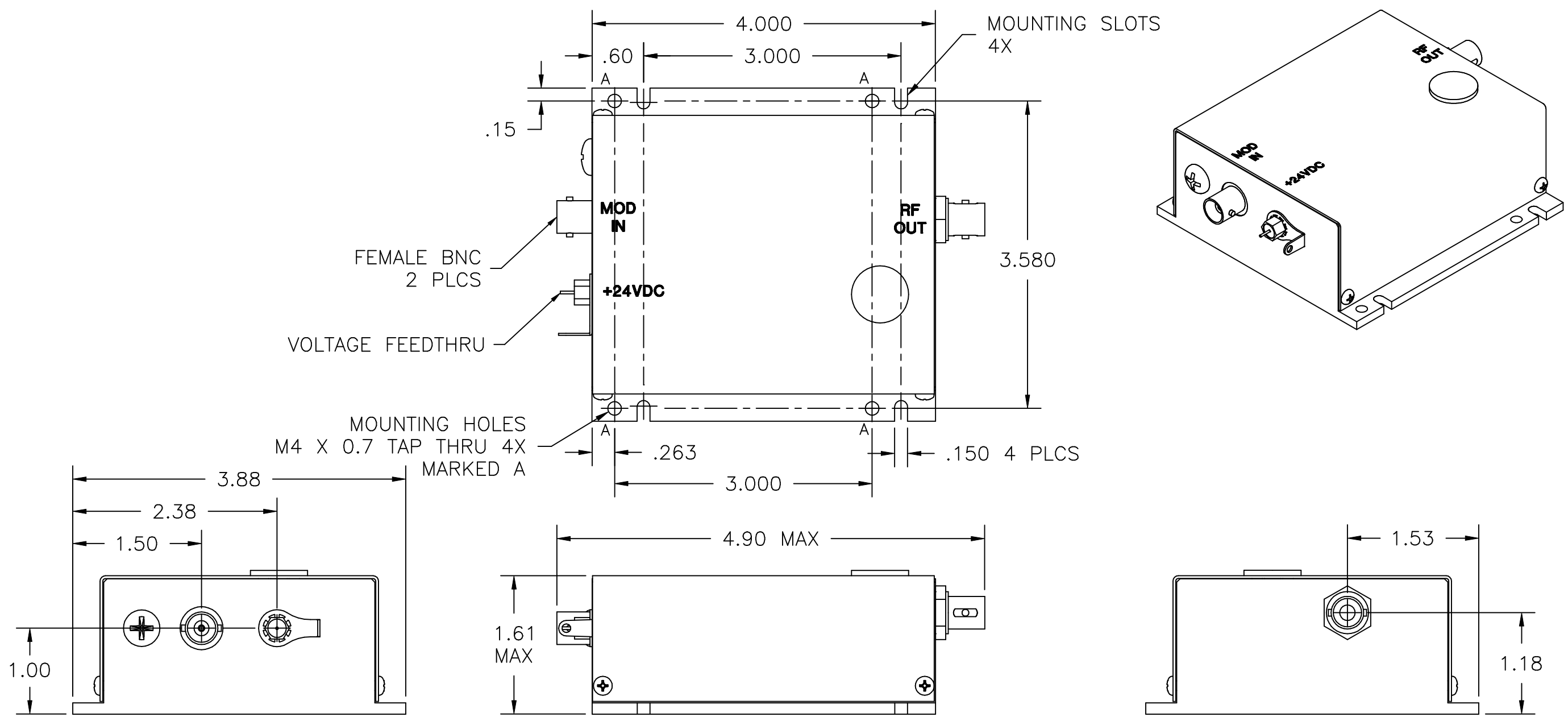



REVISIONS				
ZONE	REV.	DESCRIPTION	CHNG / DATE	APVD / DATE
	A	CHANGE PER ECO 58A17711	FC 12/21/04	CAM 1/13/05



		MATERIAL	UNLESS OTHERWISE SPECIFIED DIMENSIONS ARE IN INCHES TOLERANCES ARE: DECIMALS: MILLIMETER: .XX ± .01 ± .XXX ± .005 ± ANGLES: ± SURFACE ROUGHNESS REMOVE ALL BURRS AND SHARP EDGES DIM. AND SURFACE ROUGHNESS APPLY AFTER COATING	APPROVALS	DATE	 4300-C FORTUNE PLACE MELBOURNE, FL 32904 (407)676-9020 FAX: (407)722-4499			
		FINISH		DRAWN BY: C. RIVENES	10/30/00		TITLE OUTLINE DRAWING, N21080-1AMXTL-3DS		
NEXT ASSY	USED ON			CHECKED BY:		ENGINEERING: JLL	SIZE B	DWG NO. 53B2384A	REV. A
APPLICATION		DO NOT SCALE DRAWING		APPROVED: CMC	11/23/00	SCALE NONE	FILE 53B2384	SHEET 1 OF 1	