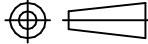
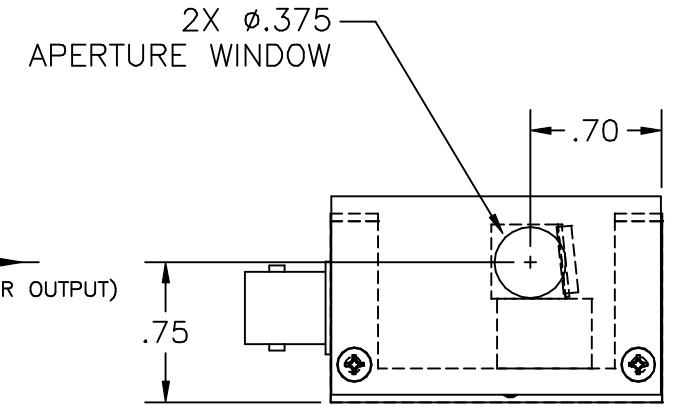
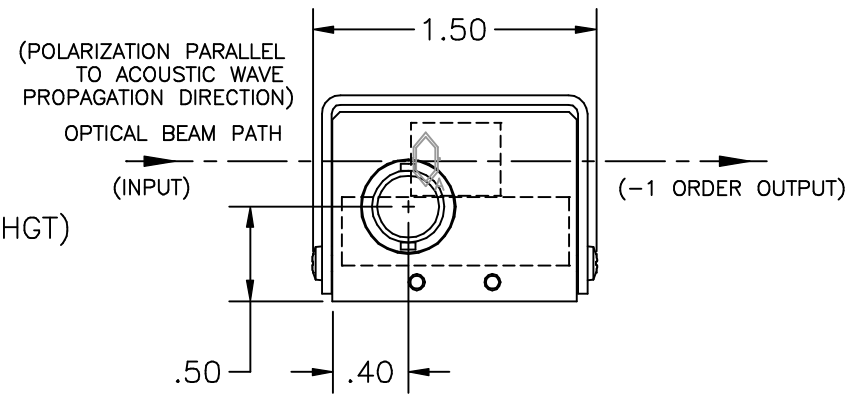
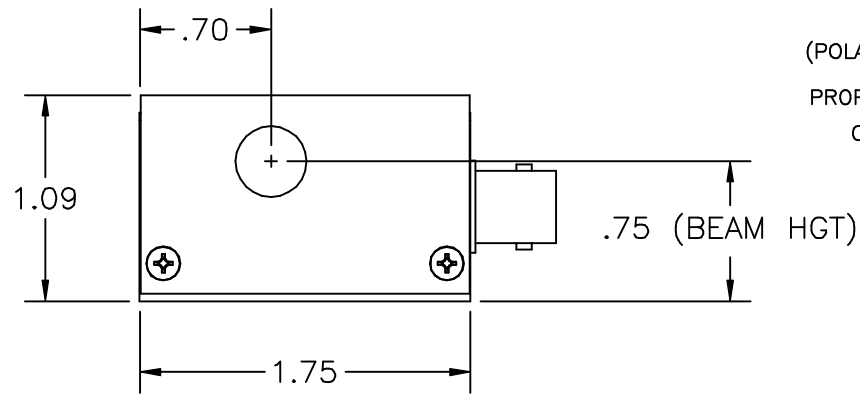
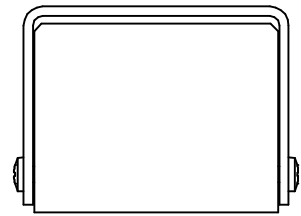
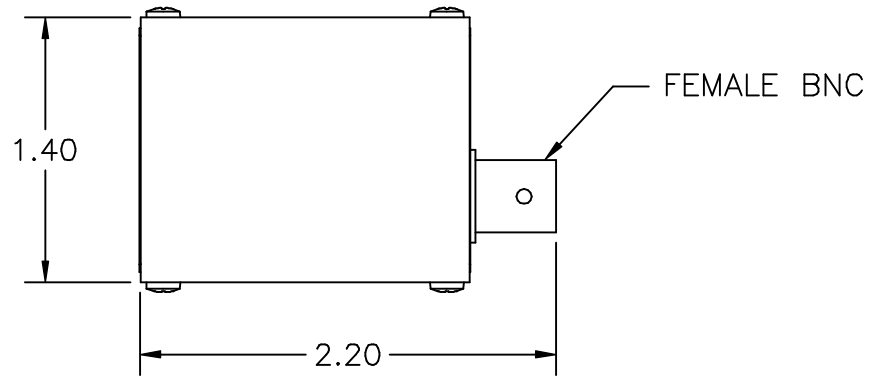


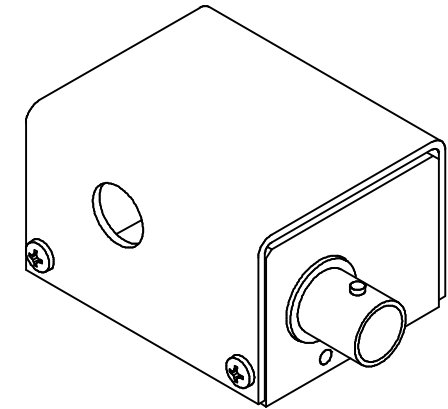
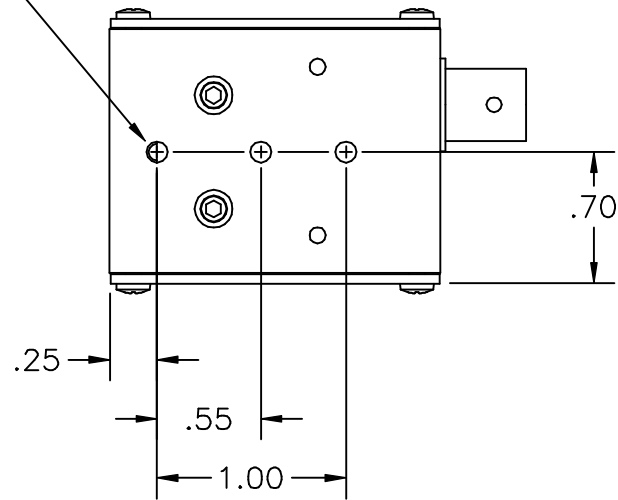
NOTES: UNLESS OTHERWISE SPECIFIED


1. DRAWING PREPARED IN ACCORDANCE WITH MIL-STD-100.
2. DIMENSIONING AND SYMBOLS PER ASME Y14.5M-1994.
3. INTERPRET 3RD ANGLE PROJECTION.
 (ISO-A).
4. DIMENSIONS ARE IN INCHES [MM].

REVISIONS				
ZONE	REV.	DESCRIPTION	CHNG / DATE	APVD / DATE



3X MOUNTING HOLE
 4-40 UNC-2B
 ↓.19



		MATERIAL	UNLESS OTHERWISE SPECIFIED DIMENSIONS ARE IN INCHES TOLERANCES ARE: DECIMALS: MILLIMETER: .XX ± .01 ± [.25mm] .XXX ± .005 ± [.127mm] ANGLES: ± .5° SURFACE ROUGHNESS 63/	APPROVALS	DATE	 4300-C FORTUNE PLACE MELBOURNE, FL 32904 (407)676-9020 FAX: (407)722-4499
		FINISH		DRAWN BY: T. EBAUGH	6/29/99	
12D1699			REMOVE ALL BURRS AND SHARP EDGES	CHECKED BY:		SIZE B
NEXT ASSY	USED ON		DIM. AND SURFACE ROUGHNESS APPLY AFTER COATING	ENGINEERING: HH	7/2/99	DWG NO. 53B2024
APPLICATION		DO NOT SCALE DRAWING		APPROVED: CMC	7/6/99	REV.
						SCALE NONE
						FILE 53B2024
						SHEET 1 OF 1