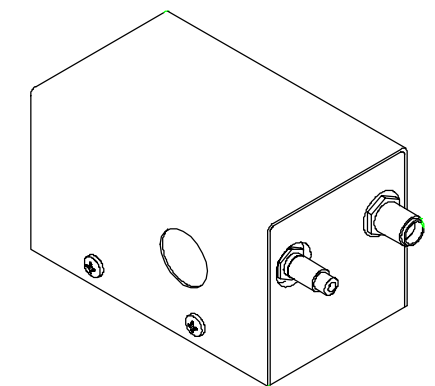
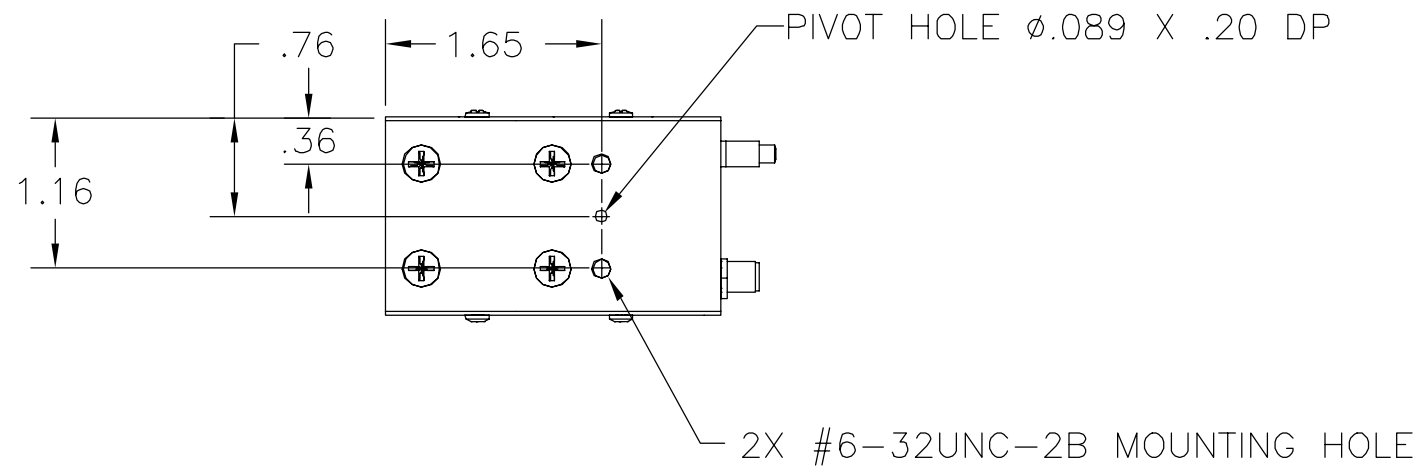
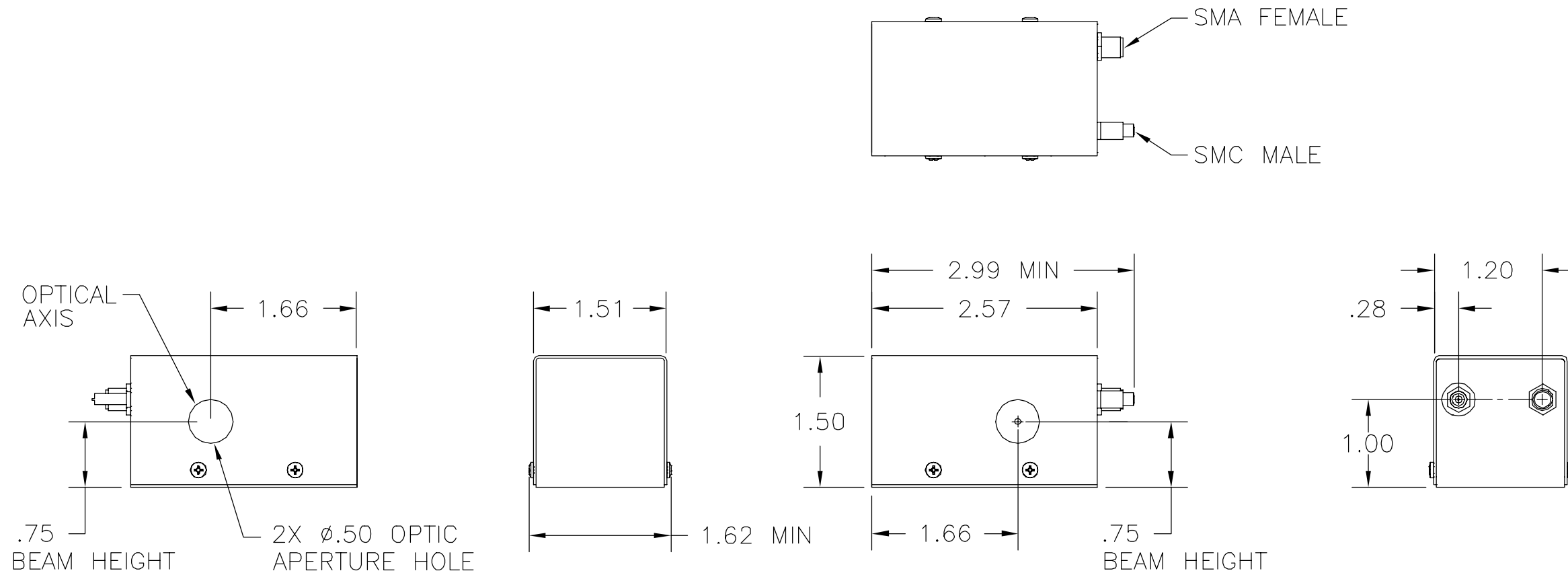



REVISIONS			
REV.	DESCRIPTION	DATE	APPROVED
A	ECO PER 58A15224	CC 3/21/03	HH 7/9/03



		MATERIAL	UNLESS OTHERWISE SPECIFIED DIMENSIONS ARE IN INCHES TOLERANCES ARE: DECIMALS: .XX ± .01 MILLIMETERS: ± [.25mm] .XXX ± .005 ± [.127mm] ANGLES: ± .5° SURFACE ROUGHNESS REMOVE ALL BURRS AND SHARP EDGES ✓ DIM. AND SURFACE ROUGHNESS APPLY AFTER COATING	DRAWN T. EBAUGH	DATE 3/26/98	 4300-C FORTUNE PLACE MELBOURNE, FL 32904 (407)676-9020 FAX: (407)722-4499		
		FINISH		CHECKED AA	4/9/98			OUTLINE DWG, 33027-50-5-1-DPLT
NEXT ASSY	USED ON			ISSUED HH	4/9/98	SIZE B	DWG. NO. 53B1289	REV. A
APPLICATION				DO NOT SCALE DRAWING		SCALE NS	FILE 53B1289A	SHEET 1 OF 1