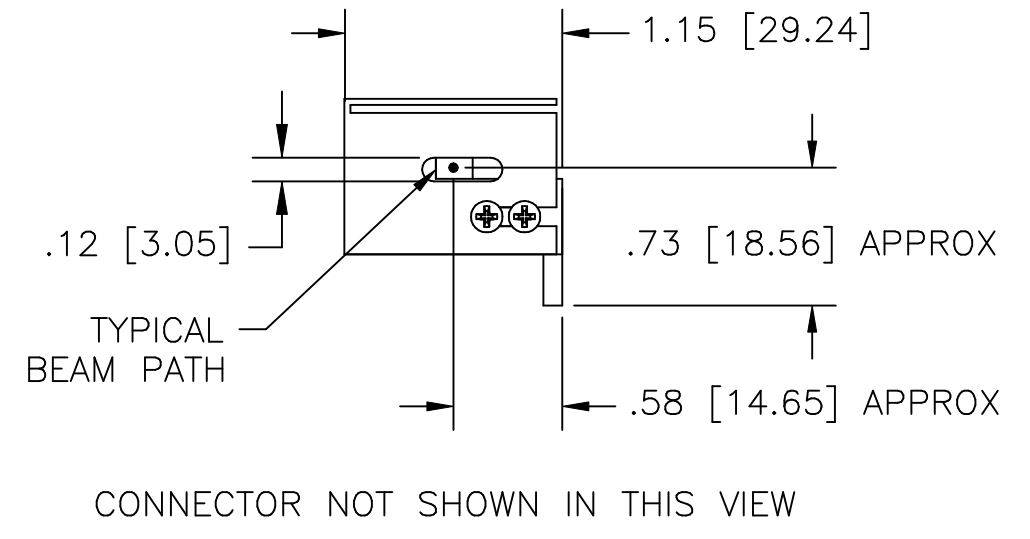
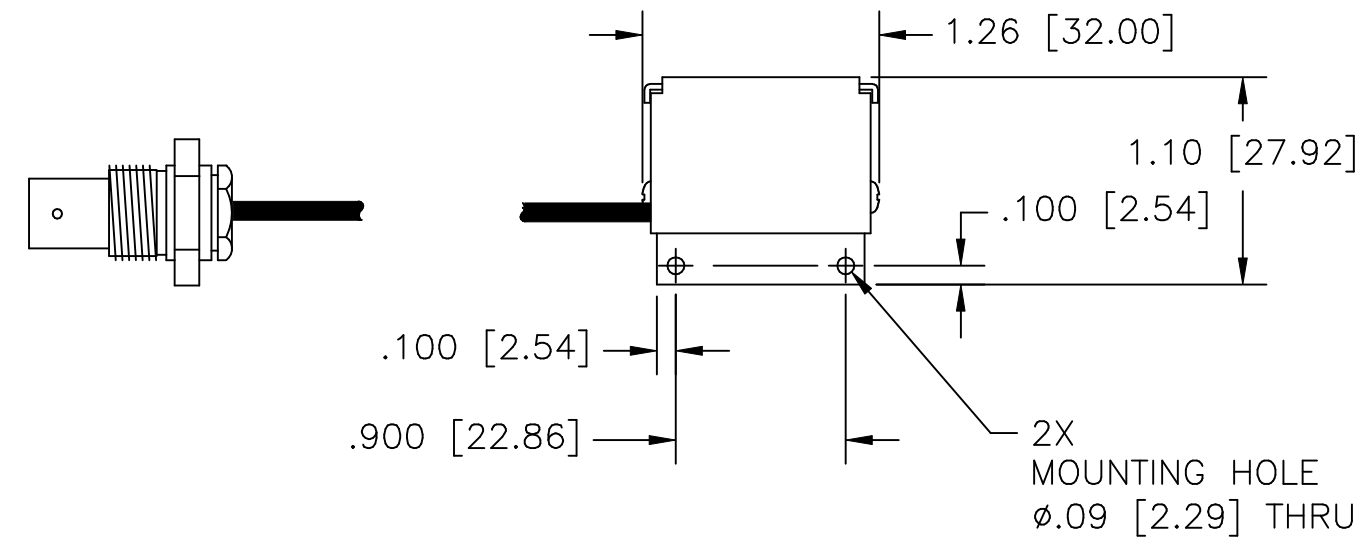
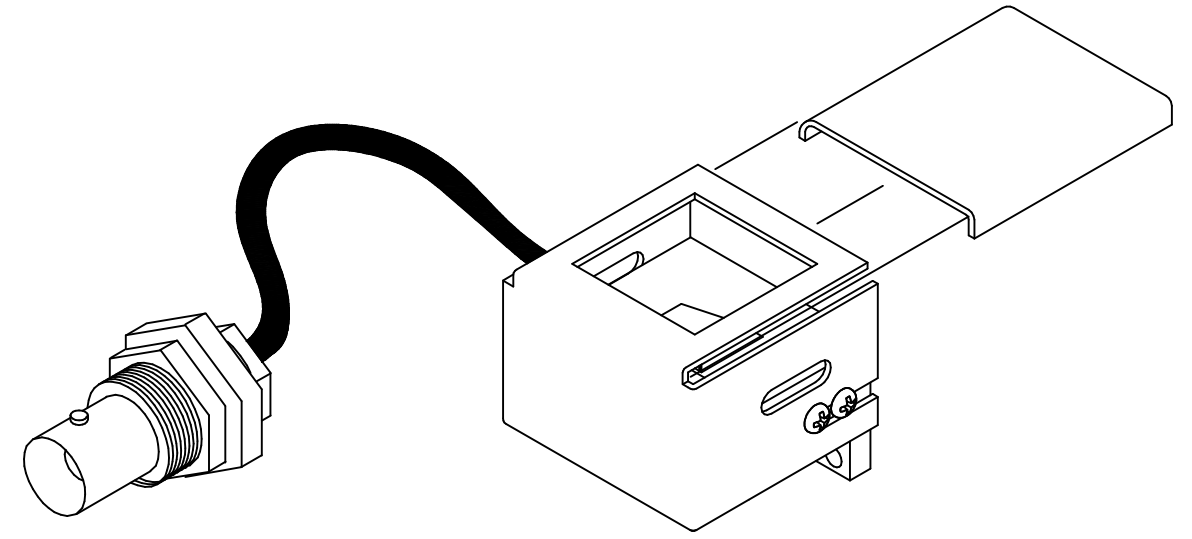
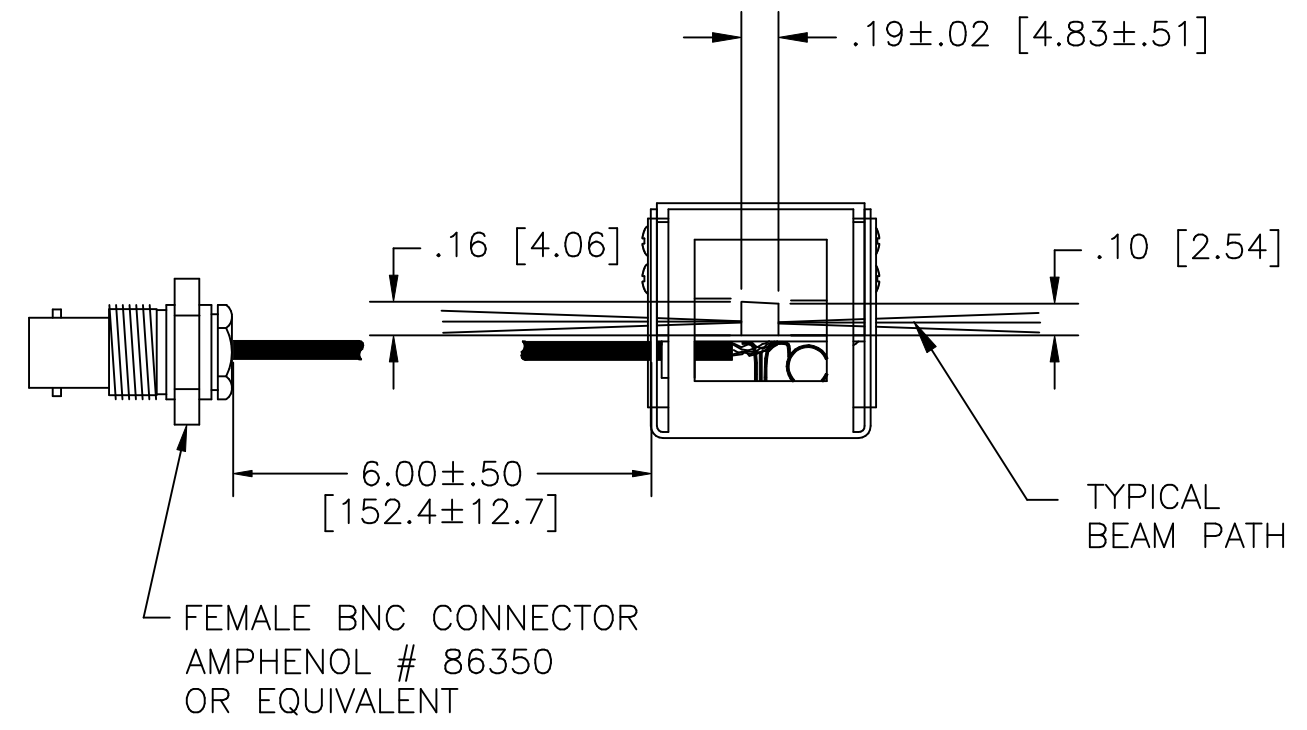



REVISIONS				
ZONE	REV.	DESCRIPTION	CHNG / DATE	APVD / DATE
	B	CHANGE PER ECO 58A15380	FC 5/22/03	PS 5/23/03



		MATERIAL	UNLESS OTHERWISE SPECIFIED DIMENSIONS ARE IN INCHES. DIMENSIONS AND VALUES IN BRACKETS ARE METRIC. TOLERANCES ARE: DECIMALS: INCHES MILIMETERS .XX ±.01 [±.25] .XXX ±.005 [±.127] ANGLES: ±.5° SURFACE ROUGHNESS: 63/√ REMOVE ALL BURRS AND SHARP EDGES. DIM. AND SURFACE ROUGHNESS APPLY AFTER COATING.	APPROVALS	DATE	 A Gooch and Housego Company 4300-C FORTUNE PLACE MELBOURNE, FL 32904 (321)676-9020 FAX: (321)722-4499		
		FINISH		DRAWN BY: A. ABELLA	7/23/96		TITLE OUTLINE, 17440-FOA	
NEXT ASSY	USED ON			CHECKED BY:		SIZE B	DWG NO. 53B0957	REV. B
APPLICATION		DO NOT SCALE DRAWING		ENGINEERING: WS	10/8/96	SCALE NONE	FILE 53B0957B	SHEET 1 OF 1
				APPROVED: PS	10/7/96			