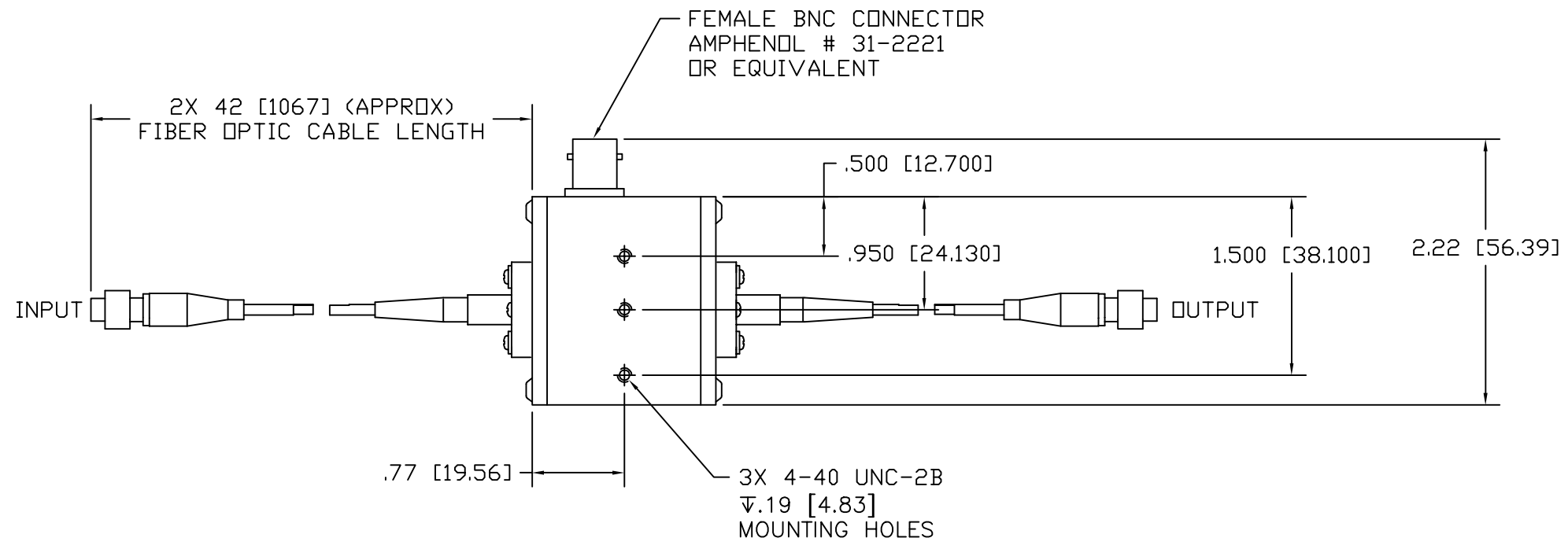
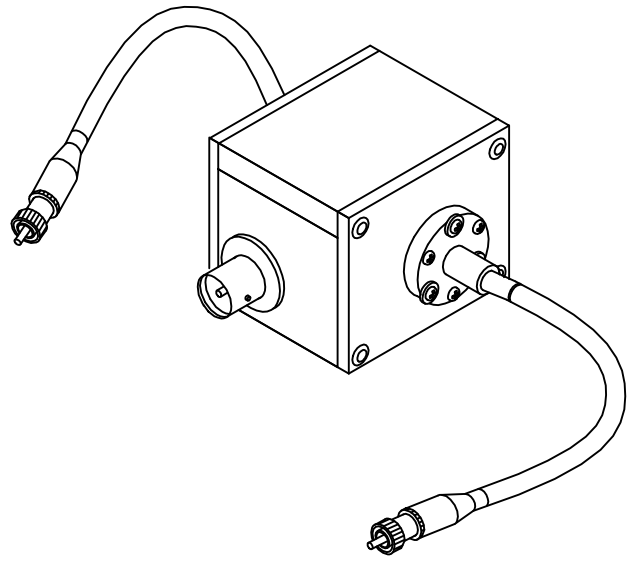
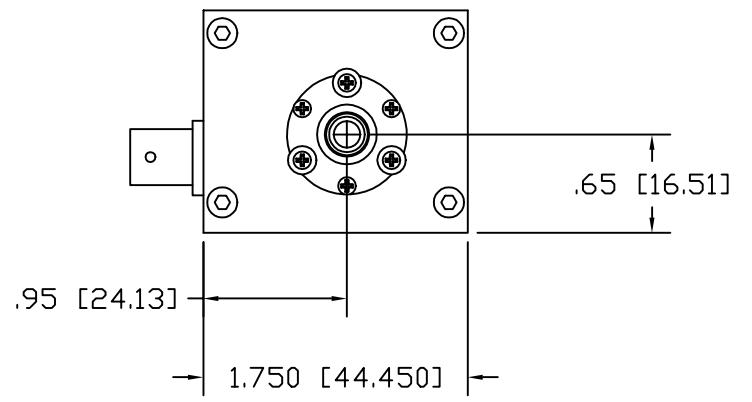
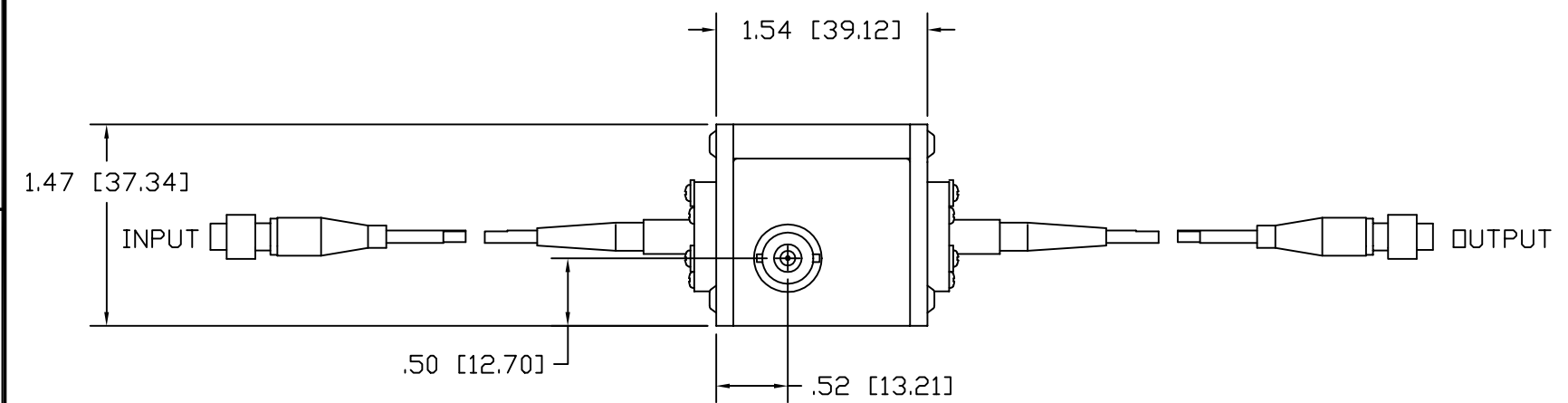



REVISIONS				
ZONE	REV.	DESCRIPTION	CHNG / DATE	APVD / DATE
	A	CHANGE PER ECO 58A15135	RS 2/28/03	PS 3/4/03



		MATERIAL	UNLESS OTHERWISE SPECIFIED DIMENSIONS ARE IN INCHES. DIMENSIONS AND VALUES IN BRACKETS ARE METRIC. TOLERANCES ARE: DECIMALS: INCHES MILIMETERS .XX ±.01 [±.25] .XXX ±.005 [±.127] ANGLES: ±.5° SURFACE ROUGHNESS: 63/ REMOVE ALL BURRS AND SHARP EDGES. DIM. AND SURFACE ROUGHNESS APPLY AFTER COATING.	APPROVALS	DATE	 A Gooch and Housego Company 4300-C FORTUNE PLACE MELBOURNE, FL 32904 (321)676-9020 FAX: (321)722-4499		
		FINISH		DRAWN BY: G.KOTOWSKI	5/2/96		TITLE OUTLINE DRAWING, 26055-1-1.55-LTD-FD	
NEXT ASSY	USED ON			CHECKED BY: P.S.		SIZE <b>B</b>	DWG NO. 53B0946	REV. A
APPLICATION		DO NOT SCALE DRAWING		ENGINEERING: W.S.	5/2/96	SCALE 1/1	FILE 53B0946A	SHEET 1 OF 1