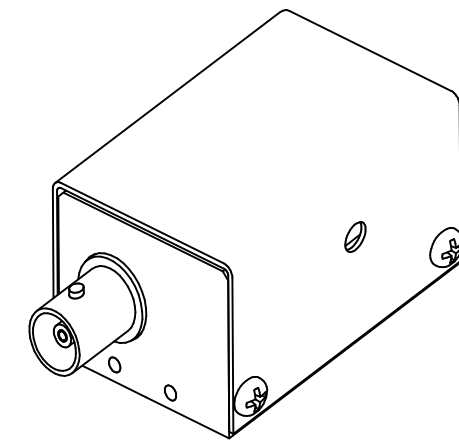
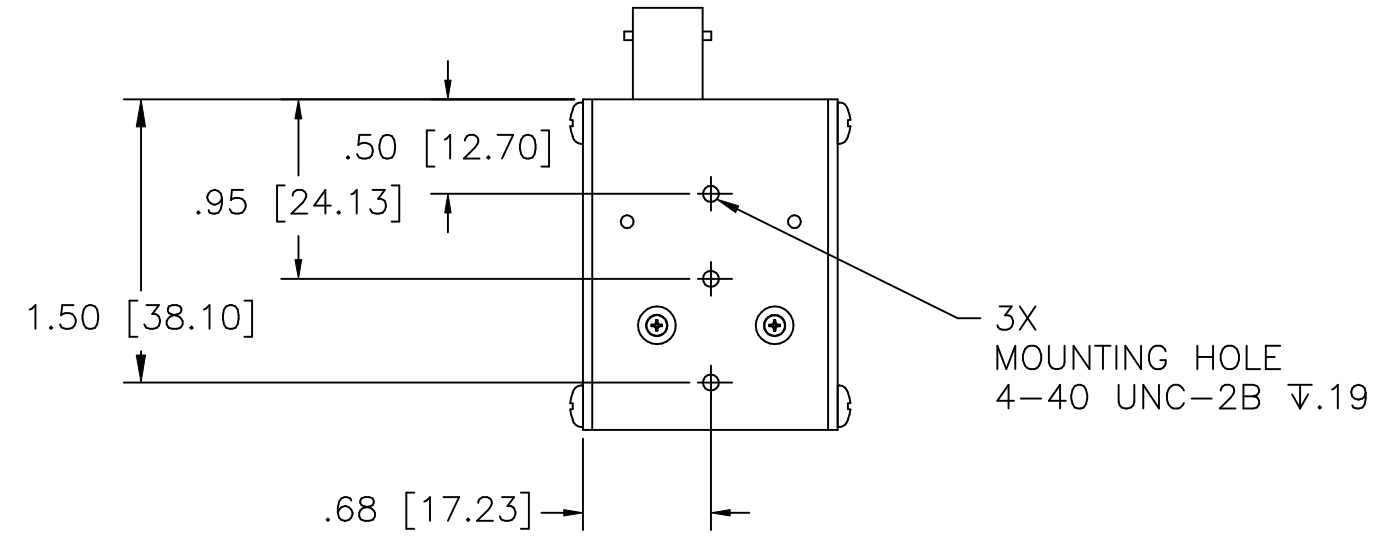
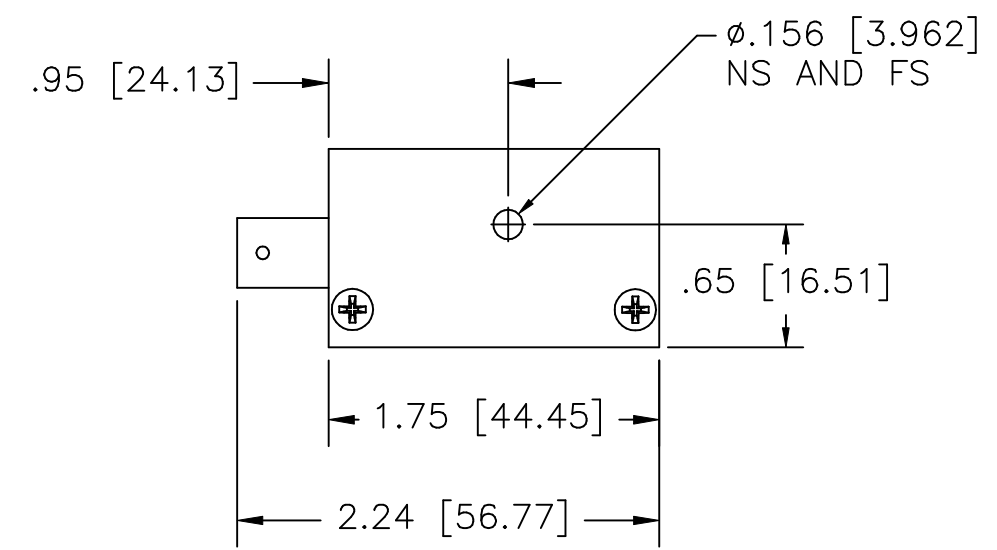
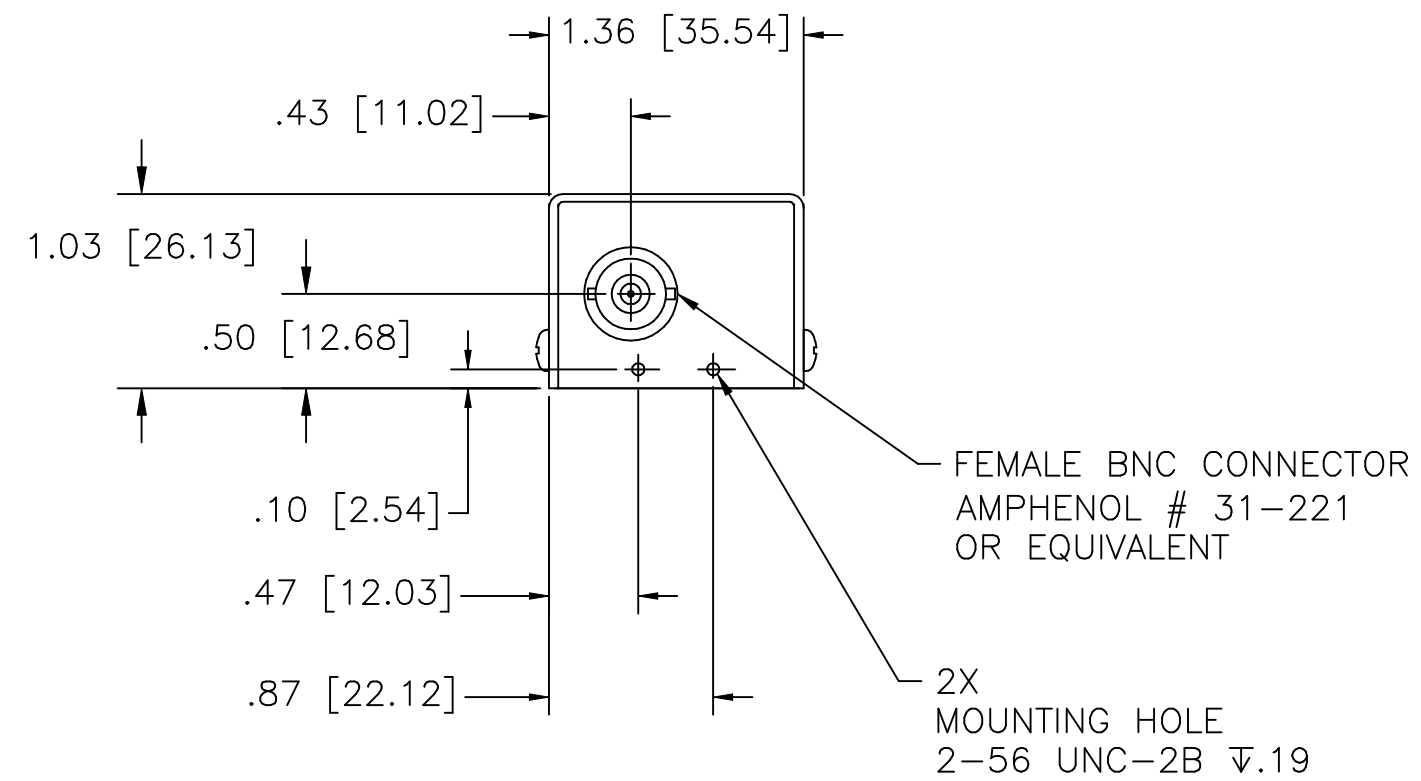


NOTES: UNLESS OTHERWISE SPECIFIED

REVISIONS				
ZONE	REV.	DESCRIPTION	CHNG / DATE	APVD / DATE
	A	CHANGE PER ECO 58A15051	CR 2/04/03	PS 2/07/03



		MATERIAL	UNLESS OTHERWISE SPECIFIED DIMENSIONS ARE IN INCHES DIMENSIONS AND VALUES IN BRACKETS ARE METRIC TOLERANCES ARE: DECIMALS: INCHES: MILLIMETERS: .XX ±.01 [±.25] .XXX ±.005 [±.127] ANGLES: ±.5° SURFACE ROUGHNESS: 63/ REMOVE ALL BURRS AND SHARP EDGES DIM. AND SURFACE ROUGHNESS APPLY AFTER COATING	APPROVALS	DATE	NEOS 4300-C FORTUNE PLACE MELBOURNE, FL 32904 (321) 676-9020 FAX: (321) 722-4499 A Gooch and Housego Company			
		FINISH		DRAWN BY: B. BURKETT	8/12/93		TITLE OUTLINE DRAWING, 15000,17000, 23000, 24000 NON-LTD SERIES		
NEXT ASSY	USED ON			CHECKED BY:		ENGINEERING:	SIZE B	DWG NO. 53B0504	REV. A
APPLICATION		DO NOT SCALE DRAWING		APPROVED: PS	8/12/93	SCALE NONE	FILE 53B0504A	SHEET 1 OF 1	