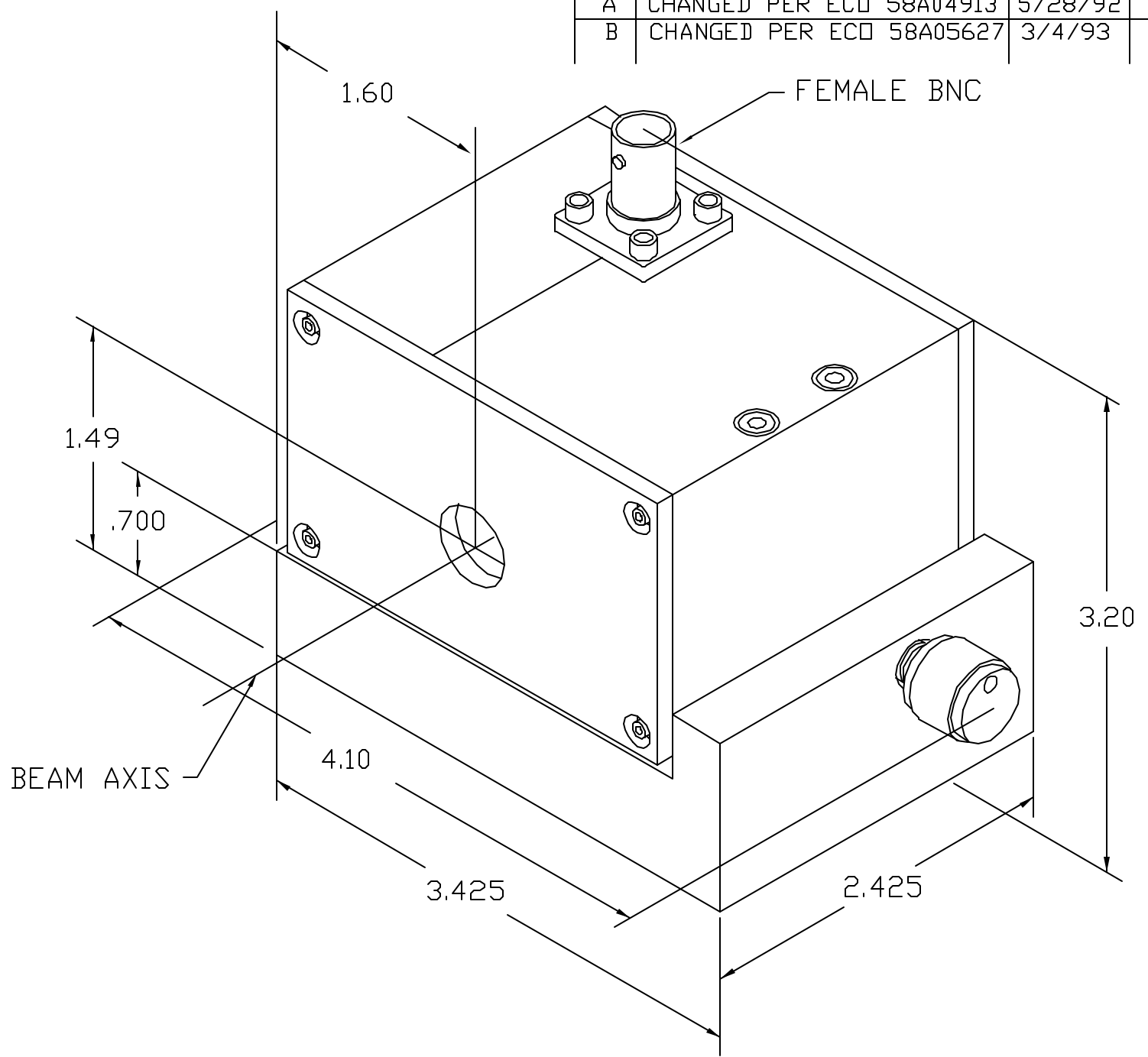
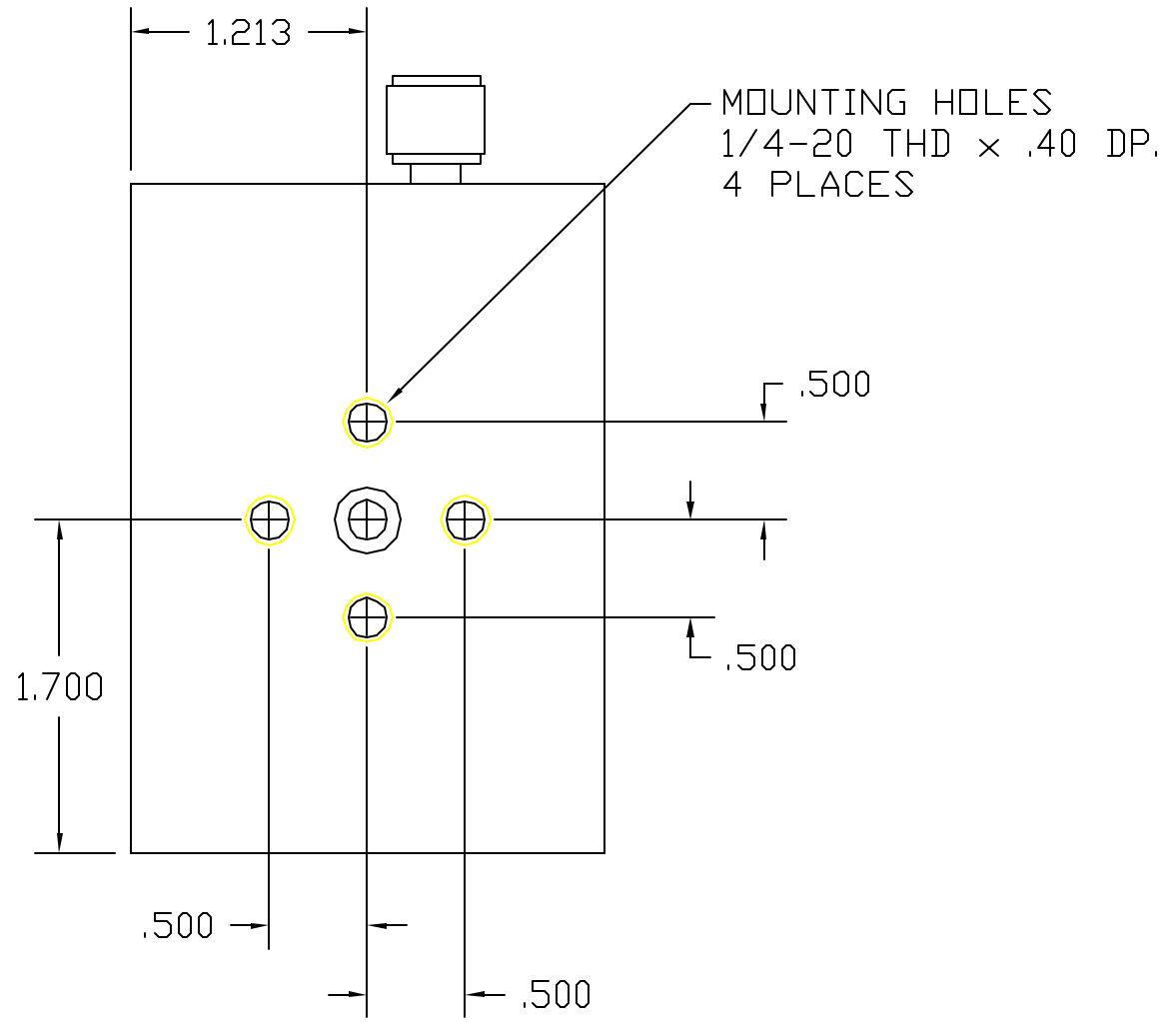


REVISIONS			
REV.	DESCRIPTION	DATE	APPROVED
A	CHANGED PER ECO 58A04913	5/28/92	P.S.
B	CHANGED PER ECO 58A05627	3/4/93	G.T.



QTY REQD	FSCM NO.	PART OR IDENTIFYING NO.	NOMENCLATURE OR DESCRIPTION	MATERIAL SPECIFICATION
PARTS LIST				
UNLESS OTHERWISE SPECIFIED DIMENSIONS ARE IN INCHES TOLERANCES ARE:		CONTRACT NO.		NEOS
FRACTIONS ±	DECIMALS .XX±.01 .XXX±.005	ANGLES ±	DATE	
MATERIAL	FINISH	APPROVALS	DATE	OUTLINE DRAWING, 72005 BRAGG MOUNT WITH ADM
NEXT ASSY	USED ON	DRAWN P. SHANNONHOUSE	5/28/92	
APPLICATION	DO NOT SCALE DRAWING	CHECKED P.S.	3/4/93	SIZE B
		ISSUED		FSCM NO.
				DWG. NO. 53B00278
				REV. B
				SCALE 1/1
				FILE 53B00278 SHEET 1 OF 1