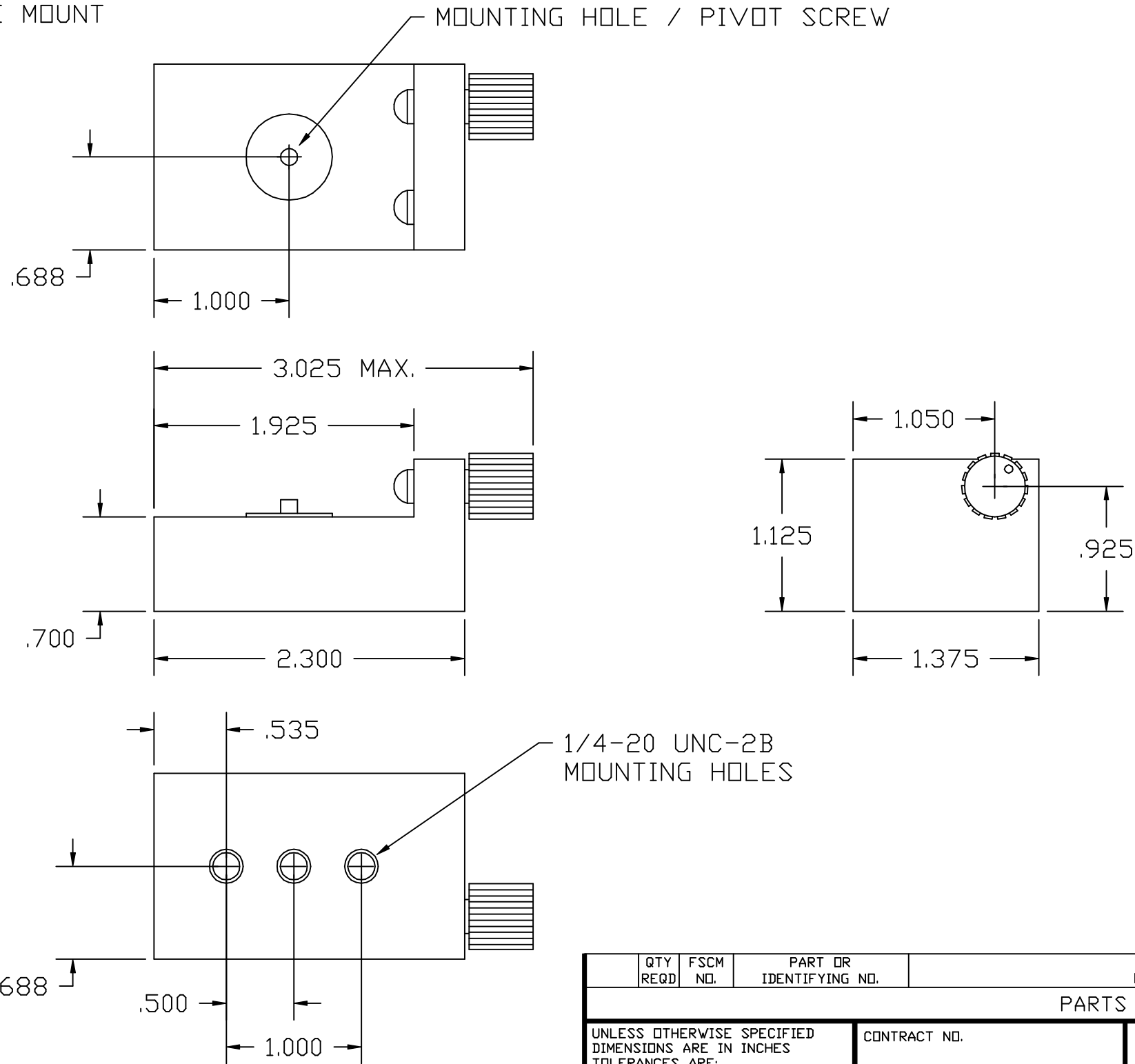


REVISIONS			
REV.	DESCRIPTION	DATE	APPROVED
A	CHANGE PER ECO 58A01079	12/4/86	P.S.

NOTES: UNLESS OTHERWISE SPECIFIED

1. ADM SITS .04 ABOVE MOUNT



QTY REQD	FSCM NO.	PART OR IDENTIFYING NO.	NOMENCLATURE OR DESCRIPTION	MATERIAL SPECIFICATION
PARTS LIST				
UNLESS OTHERWISE SPECIFIED DIMENSIONS ARE IN INCHES TOLERANCES ARE:		CONTRACT NO.		NEOS
FRACTIONS ±	DECIMALS .XX ± .01 .XXX ± .005	ANGLES ±	DATE	
MATERIAL	FINISH	APPROVALS	DATE	OUTLINE DRAWING, ADM BRAGG MOUNT
		DRAWN P. SHANNONHOUSE	3/31/86	
NEXT ASSY	USED ON	CHECKED P.S.	7/15/93	SIZE B
APPLICATION	DO NOT SCALE DRAWING	ISSUED		FSCM NO.
				DWG. NO. 53B00189
				REV. A
				SCALE 1/1 FILE 53B00189 SHEET 1 OF 1