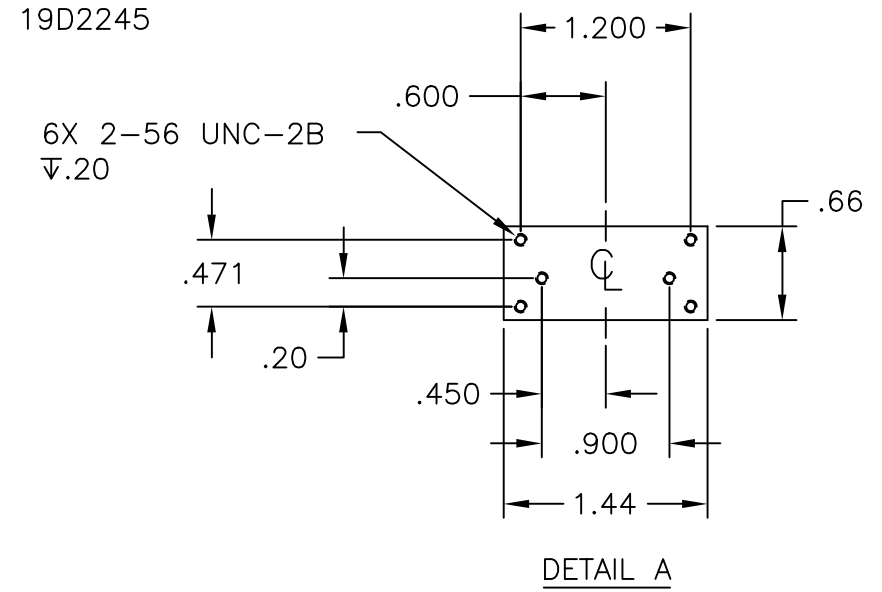
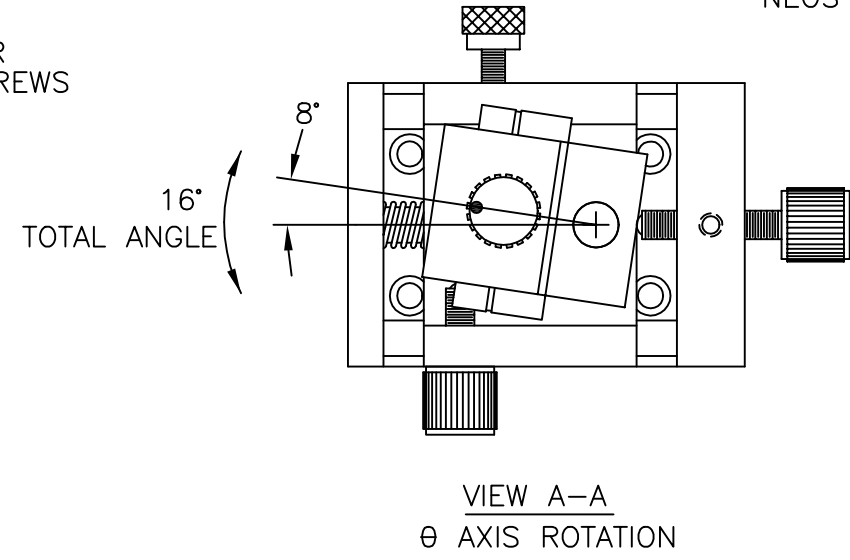
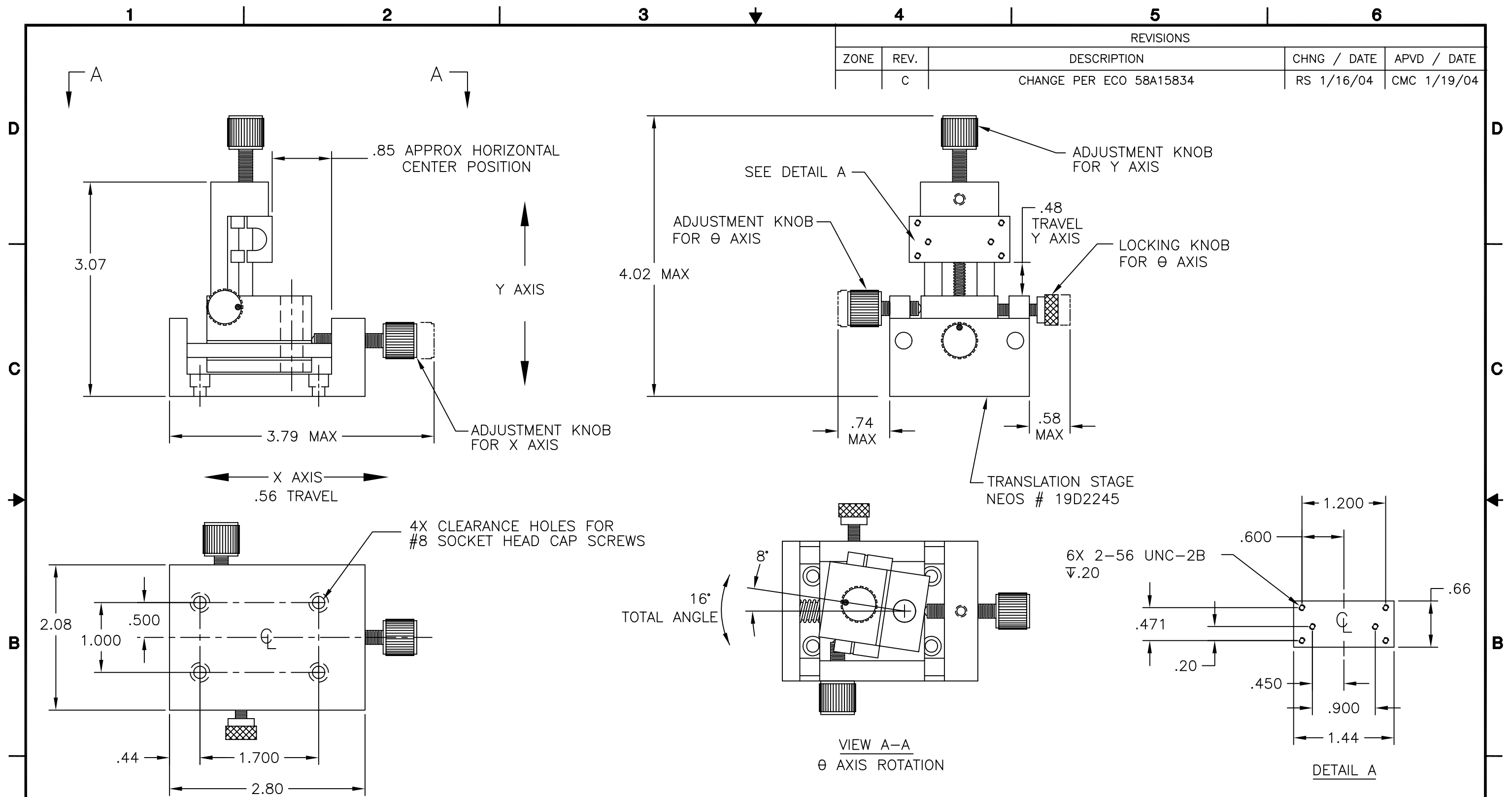



REVISIONS				
ZONE	REV.	DESCRIPTION	CHNG / DATE	APVD / DATE
	C	CHANGE PER ECO 58A15834	RS 1/16/04	CMC 1/19/04



		MATERIAL	UNLESS OTHERWISE SPECIFIED DIMENSIONS ARE IN INCHES. DIMENSIONS AND VALUES IN BRACKETS ARE METRIC. TOLERANCES ARE: DECIMALS: INCHES MILIMETERS .XX ±.01 [±.25] .XXX ±.005 [±.127] ANGLES: ±.5° SURFACE ROUGHNESS: 63/√ REMOVE ALL BURRS AND SHARP EDGES. DIM. AND SURFACE ROUGHNESS APPLY AFTER COATING.	APPROVALS	DATE	 4300C FORTUNE PLACE MELBOURNE, FL 32904 (321)676-9020 FAX: (321)722-4499
		FINISH		DRAWN BY: P.SHANNONHOUSE	11/25/85	
NEXT ASSY	USED ON			CHECKED BY: PS	7/23/92	SIZE B
APPLICATION		DO NOT SCALE DRAWING		ENGINEERING:		DWG NO. 53B00171
				APPROVED:		SCALE NONE
						FILE 53B00171C
						SHEET 1 OF 1