

NEOS TECHNOLOGIES

A Gooch & Housego Company

MODEL NUMBER: **64040-75-.1-8CH-16B**

SPECIFICATION DOCUMENT NUMBER: 56A7877E

Product Description:

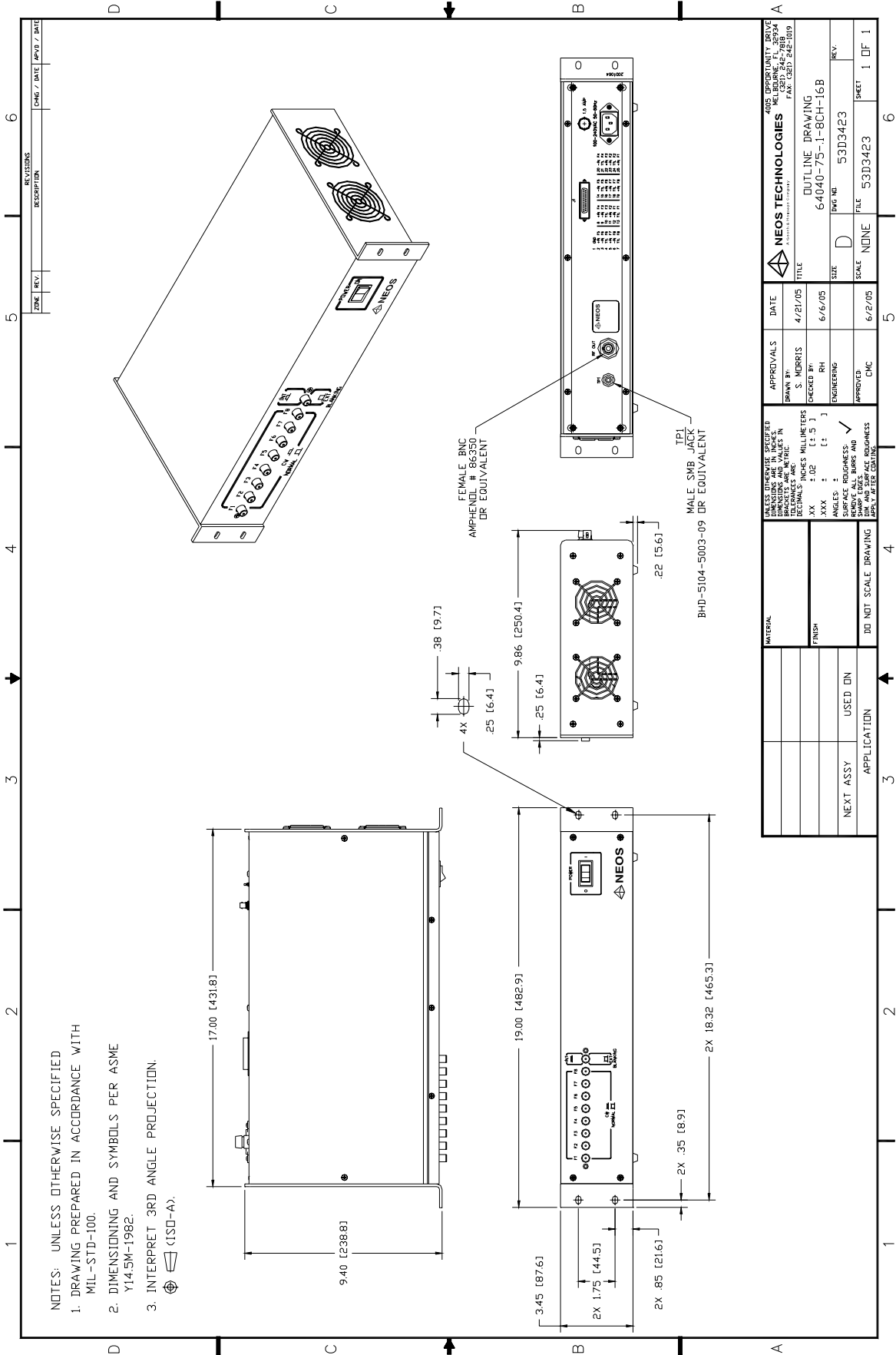
The 64040-75-.1-8CH-16B is an eight channel, frequency synthesized driver for the **48062** series Poly-Chromatic Acousto Optic Modulator (PCAOM), which can modulate eight wavelengths of light at the same time. The driver has independent analog modulation and TTL blanking for each channel. The wavelengths for each channel are switch selectable from 16 standard wavelengths stored in an E-Prom (see page 4 lookup table). Other wavelengths can be custom factory programmed.

PARAMETER

SPECIFICATION

Number of Channels	Eight
Frequency Stability	$\pm .01\%$
Power Out	50-200 mW
Wavelengths per Channel	16
Fine Tuning Range	+ 56 KHz, - 64 KHz in 8 KHz Steps
Analog Inputs (8)	0-5 Volts into 10K Ohms
Blanking Inputs (8)	TTL, 4.7K Ohms pull ups. No input or high is not blanked
Rise/Fall Time	500 ns Max
Extinction Ratio	Analog > 60 dB TTL > 60 dB
Power	100-240 VAC, 50-60Hz, 1.5A Maximum
Connectors:	
RF out:	BNC Female (mates with Amphenol P/N 69475)
Data in:	25 Pin D-Sub Female (mates with Panduit P/N IDM25PH5)
TP1(-20dB)	SMB Male (mates with ITT Cannon P/N B51-007- 0000-220)
Outline Drawing:	53D3423

OUTLINE DRAWING



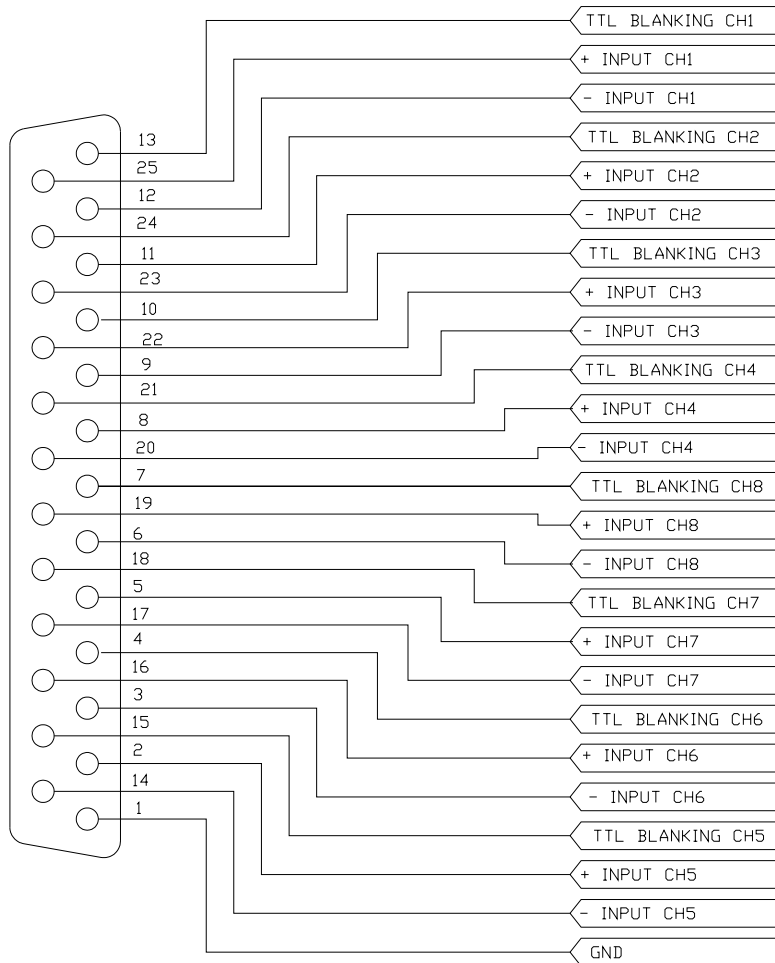


FIGURE 3
 J1 PINOUT
 FEMALE DB25
 8CH-16 DRIVER

45A8212A

**SWITCH SETTINGS VS. WAVELENGTH FOR EACH CHANNEL
STANDARD WAVELENGTHS**

SWITCH POSITION	WAVELENGTH nm
0	676
1	647
2	632
3	575
4	568
5	530
6	528
7	520
8	514
9	501
A	496
B	488
C	476
D	472
E	465
F	457