

# NEOS TECHNOLOGIES

A Gooch & Housego Company

MODEL NUMBER:

## 64048-80-.1-4CH-5M

### SPECIFICATIONS

DOCUMENT NUMBER: 56A17421A

#### Product Description:

The 64048-80-.1-4CH-5M is a four channel, crystal controlled driver for the **48058** series Poly-Chromatic Acousto Optic Modulator (PCAOM) which can modulate four wavelengths of light at the same time. The driver has independent analog modulation and TTL blanking for each channel. The wavelength on channel one is switch selectable between the two wavelengths listed below. Other wavelengths can be custom factory programmed.

#### PARAMETER

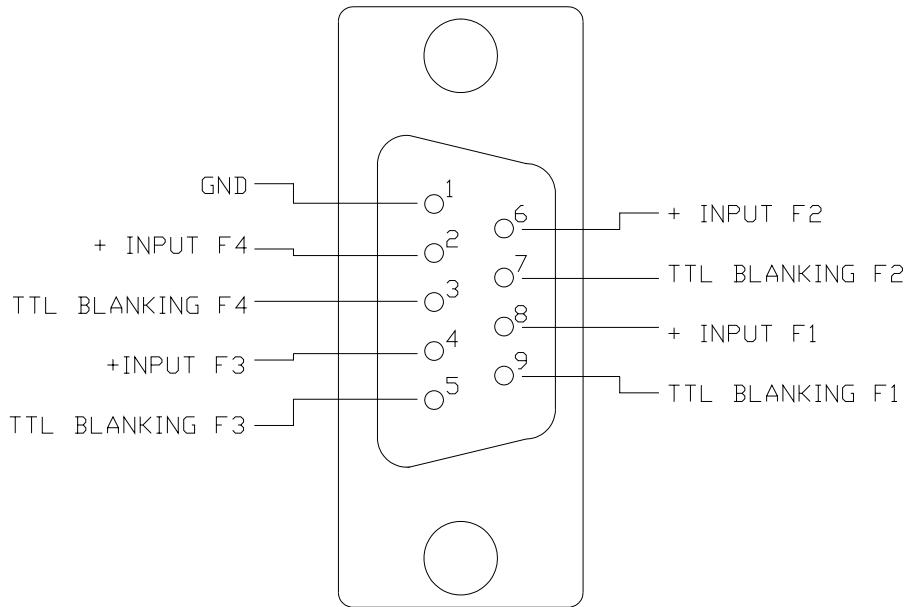
#### SPECIFICATION

Number of Channels	Four
Frequency Stability	±0.01%
Power Out	40-200 mW
Wavelengths	CH 1 647 nm or 632 nm
*CH 1 wavelength selectable by switch	CH 2 514 nm CH 3 488 nm CH 4 476 nm
Analog Inputs (4)	0-5 Volts into 6K Ohms
Blanking Inputs (4)	TTL, 4.7K Ohms, no input or high is not blanked
Rise/Fall Time	200 ns typical
Extinction Ratio	Analog > 60 dB TTL > 60 dB
Power	+24 VDC at 800mA
Connectors:	
RF out:	BNC Female
Data in:	9 Pin D-Sub female
Outline Drawing	53A8736



# PINOUT

PINOUT J1 DB9 FEMALE  
N64040-75-.1-4CH-5



45A8729