



# NEOS TECHNOLOGIES

A Gooch & Housego Company

## DEVICE SPECIFICATIONS

### MODEL NUMBER:

# 54055-1.55-.5AS-4FO

### DOCUMENT NUMBER: 56A17356A

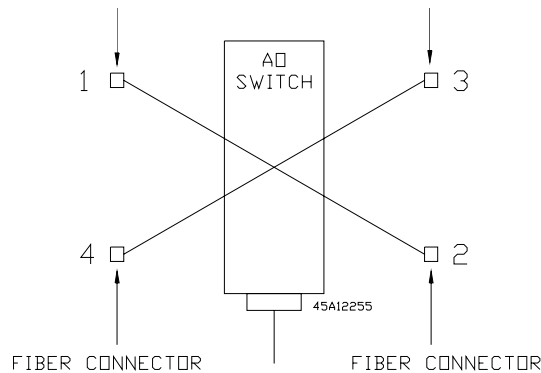
<u>PARAMETER</u>	<u>SPECIFICATION</u>
Interactive Material	AMTIR
Acoustic Mode	Longitudinal
Operating Wavelength	1550 nm
Window Configuration	AR Coated
Operating Frequency	55 MHz
Insertion loss* (max)	3.5 dB (AOM OFF) Port 1 to 2, 3 to 4 4 dB (AOM ON) Port 1 to 3, 2 to 4
Crosstalk (Typical)	-50 dB Port 1 to 3, 2 to 4 -50 dB Port 1 to 4, 2 to 3 -16 dB Port 1 to 2, 3 to 4
Light Polarization	Random
Polarization Dependent Loss	<0.15 dB
Rise Time	100 ns Maximum
Modulation Input:	Analog 0 to +5 Volts: Output proportional to input Voltage. +5VDC = Low loss path port 1 to 3, 2 to 4 0 VDC = Low loss path port 1 to 2, 3 to 4 Without input signal: Low loss path port 1 to 2, 3 to 4
Power Input	100 to 240Volts AC
<b>MECHANICAL :</b>	
Package:	53D2044
Physical Size	Rack Mount Box : 19.01"W X 3.48"H X 10.03"D
Mounting Hole Spacing	1.75 H X 18.31 W
<b>CONNECTORS:</b>	
Modulation Connector:	BNC Female
Connector Type:	FC/PC Standard, FC/APC or others optional
Fiber Type:	Single Mode Fibers, 9/125
Power Input Connection:	3 pin ECI with EMI Filter.
<b>RELATED DOCUMENTS:</b>	
Operating Manual:	51A17355
Acceptance Test Procedure:	42A15074
Acceptance Test Results form:	52A14105
Not including loss at FC/PC connector interfaces	

# CONTROL SIGNAL DIAGRAM

MODULATION INPUT:

Analog 0 to +5 Volts: Output proportional to input Voltage.  
 +5VDC = Low loss path port 1 to 3, 2 to 4  
 0 VDC = Low loss path port 1 to 2, 3 to 4  
 Without input signal: Low loss path port 1 to 2, 3 to 4

FIGURE 1



SCHEMATIC

## OUTLINE DRAWING

45A12255

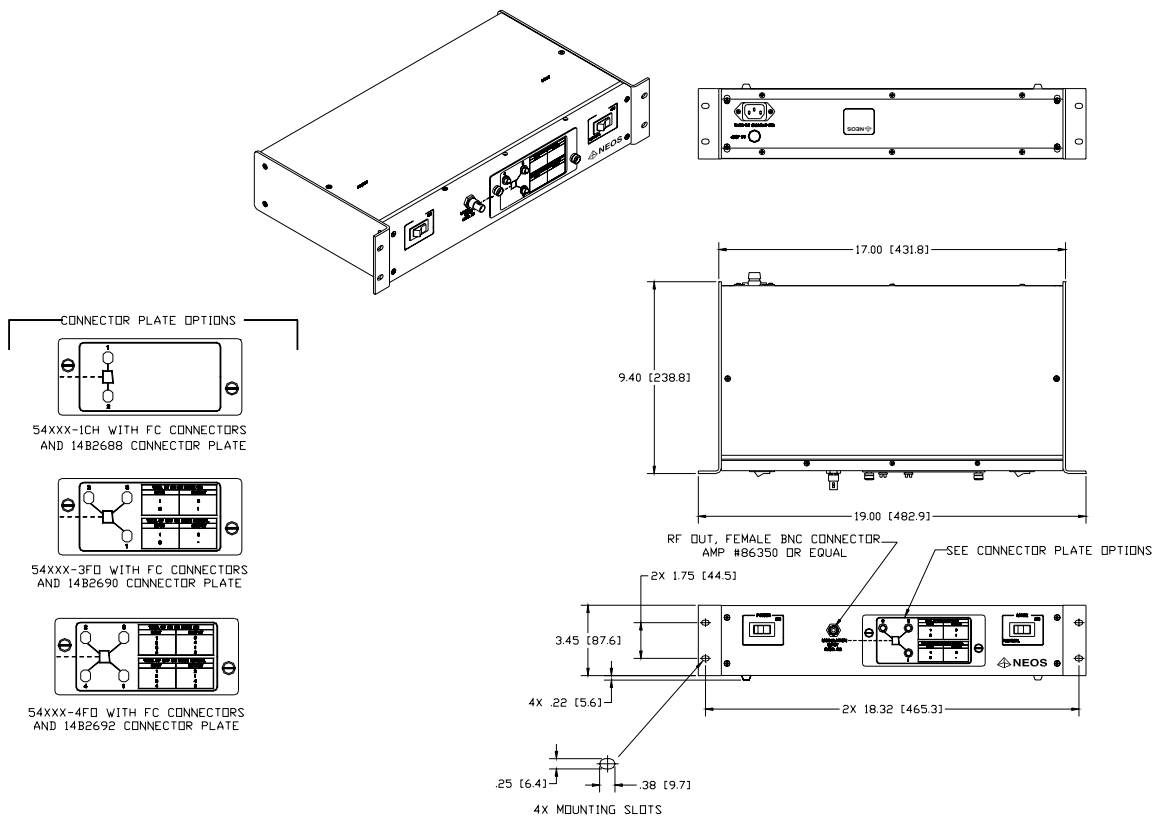


FIGURE 2

53D2044

Dimensions are in inches  
 Dimensions in [ ] are in mm.

Tolerances: Decimal: .xx = .01 .xxx = .005  
 Milimeter: .xx = .25mm .xxx = .127mm  
 Angle: = ± 30'

For More Information, Contact:

neos@neostech.com Ph. (321) 242-7818 Fax (321) 242-1019