



NEOS TECHNOLOGIES

A Gooch & Housego Company

DEVICE SPECIFICATIONS

MODEL NUMBER:

54055-1.55-.5DS-4FO

DOCUMENT NUMBER: 56A17354A

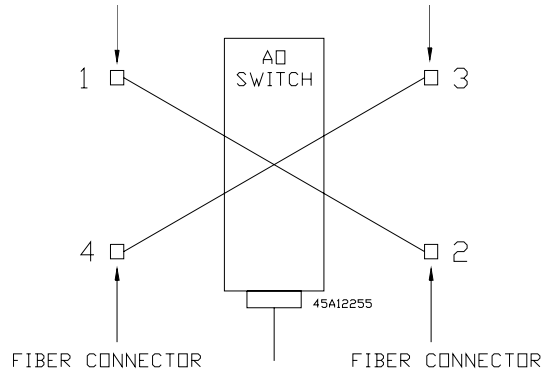
<u>PARAMETER</u>	<u>SPECIFICATION</u>
Interactive Material	AMTIR
Acoustic Mode	Longitudinal
Operating Wavelength	1550 nm
Window Configuration	AR Coated
Operating Frequency	55 MHz
Insertion loss* (max)	3.5 dB (AOM OFF) Port 1 to 2, 3 to 4 4 dB (AOM ON) Port 1 to 3, 2 to 4
Crosstalk (Typical)	-50 dB Port 1 to 3, 2 to 4 -50 dB Port 1 to 4, 2 to 3 -16 dB Port 1 to 2, 3 to 4
Light Polarization	Random
Polarization Dependent Loss	<0.15 dB
Rise Time	100 ns Maximum
Modulation Input	TTL Levels: TTL HIGH = Low loss path port 1 to 3, port 2 to 4 TTL LOW = Low loss path port 1 to 2, port 3 to 4 Without input signal: Low loss path port 1 to 2, port 3 to 4
Power Input	100 to 240Volts AC
MECHANICAL :	
Package:	53D2044
Physical Size	Rack Mount Box : 19.01"W X 3.48"H X 10.03"D
Mounting Hole Spacing	1.75 H X 18.31 W
CONNECTORS:	
Modulation Connector:	BNC Female
Fiber Connector Type:	FC/PC Standard, FC/APC or others optional
Fiber Type:	Single Mode Fibers, 9/125
Power Input Connection:	3 pin ECI with EMI Filter.
RELATED DOCUMENTS:	
Operating Manual:	51A17353
Acceptance Test Procedure:	42A15074
Acceptance Test Results form:	52A14105
*Not including loss at FC/PC connector interfaces	

CONTROL SIGNAL DIAGRAM

MODULATION INPUT:

TTL Levels: TTL HIGH = Low loss path port 1 to 3, port 2 to 4
 TTL LOW = Low loss path port 1 to 2, port 3 to 4
 Without input signal: Low loss path port 1 to 2, port 3 to 4

FIGURE 1



SCHMATIC

OUTLINE DRAWING

45A12255

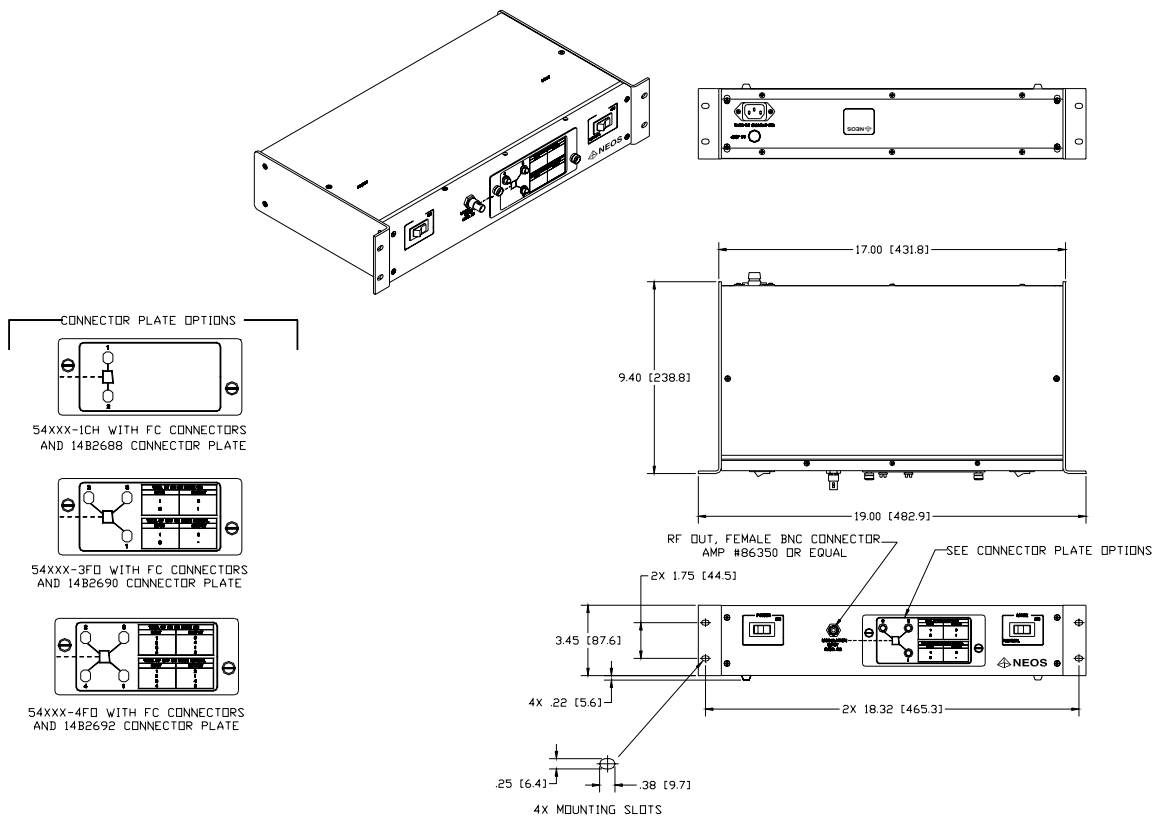


FIGURE 2

53D2044

Dimensions are in inches
 Dimensions in [] are in mm.

Tolerances: Decimal: .xx = .01 .xxx = .005
 Milimeter: .xx = .25mm .xxx = .127mm
 Angle: $\pm 30'$

For More Information, Contact:

neos@neostech.com Ph. (321) 242-7818 Fax (321) 242-1019