

NEOS TECHNOLOGIES

A Gooch & Housego Company

SPECIFICATIONS

MODEL NUMBER:

54055-1.55-.5DS-3FO

DOCUMENT NUMBER: 56A17350A

PARAMETER:

SPECIFICATION:

Interactive Material	AMTIR
Acoustic Mode	Longitudinal
Operating Wavelength	1550 nm
Window Configuration	AR Coated
Operating Frequency	55 MHz
Insertion loss* (Maximum)	3.5 dB (0 order) Port 1 to 2 4 dB (1 st order) Port 1 to 3
Light Polarization	Random
Polarization Dependent Loss	<0.15 dB
Contrast Ratio	16dB (0 order) Port 1 to 2 50 dB (1 st order) Port 1 to 3
Crosstalk (Typical)	-50 dB Port 2 to 3
Rise Time	100 ns Maximum
Modulation Input	TTL Levels: TTL HIGH = Low loss path port 1 to port 3 TTL LOW = Low loss path port 1 to port 2 Without input signal: Low loss path port 1 to port 2
Power Input	100 to 240Volts AC

MECHANICAL :

Package:	53D2044
Physical Size	Rack Mount Box : 19.01"W X 3.48"H X 10.03"D
Mounting Hole Spacing	1.75 H X 18.31 W

CONNECTORS:

Modulation Connector:	BNC Female
Fiber Connector Type:	FC/PC Standard, FC/APC or others optional
Fiber Type:	Single Mode Fibers, 9/125
Power Input Connection:	3 pin ECI with EMI Filter.

RELATED DOCUMENTS:

Operating Manual:	51A17349
Acceptance Test Procedure:	42A15972
Acceptance Test Results form:	52A14104

* Not including loss at FC/PC connector interfaces

CONTROL SIGNAL DIAGRAM

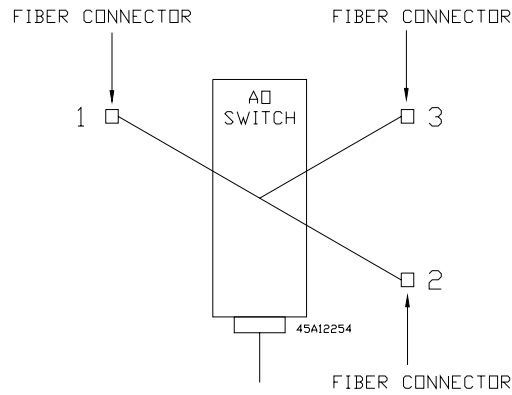
MODULATION INPUT:

TTL HIGH = Low loss path port 1 to port 3

TTL LOW = Low loss path port 1 to port 2

Without input signal: Low loss path port 1 to port 2

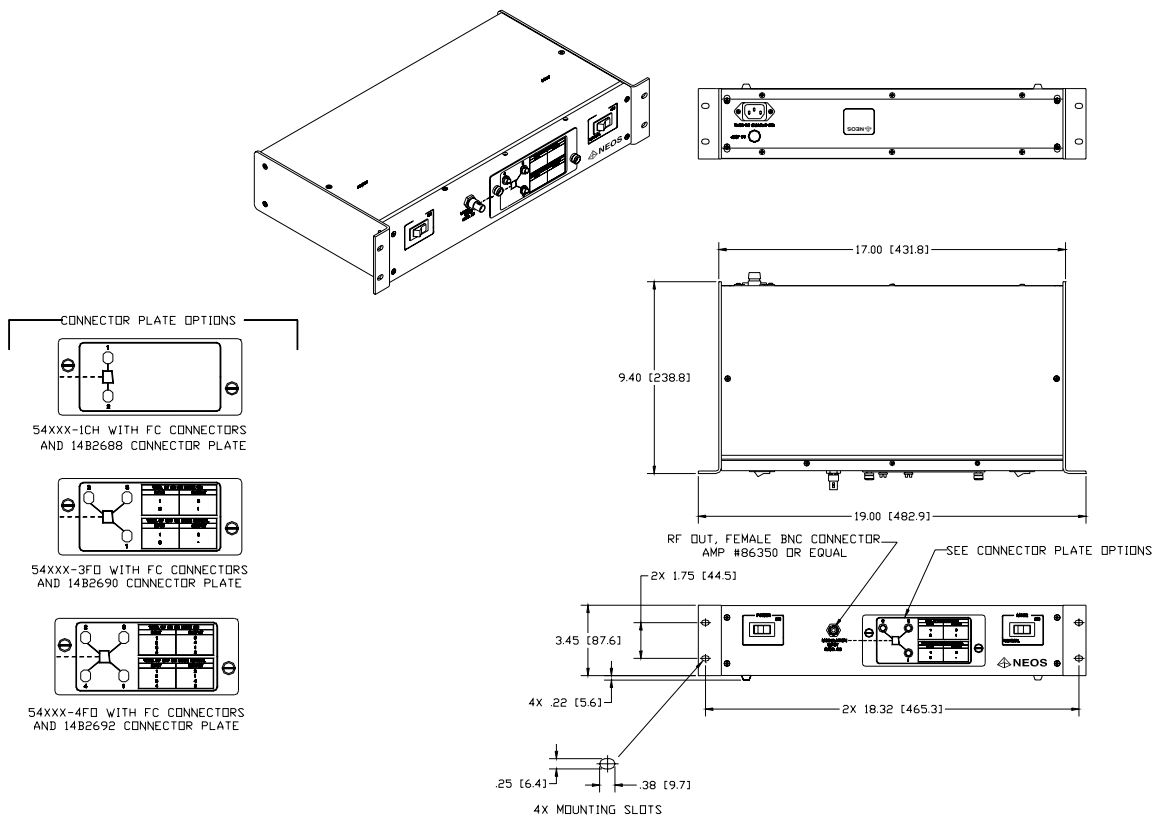
FIGURE 1



45A12254

SCHEMATIC

OUTLINE DRAWING



53D2044

FIGURE 2

Dimensions are in inches
Dimensions in [] are in mm.

Tolerances: Decimal: .xx = .01 .xxx = .005
Millimeter: .xx = .25mm .xxx = .127mm
Angle: = ± 30'

For More Information, Contact:

neos@neostech.com Ph. (321) 242-7818

Fax (321) 242-1019

56A17350A.doc Approved 10/10/05 W SEALE