

NEOS TECHNOLOGIES

A Gooch & Housego Company

DEVICE SPECIFICATIONS

MODEL NUMBER:

48062-2.5-.55

DOCUMENT NUMBER: 56A14329G

<u>PARAMETER</u>	<u>SPECIFICATION</u>
Interactive Material	TeO ₂
Acoustic Mode	Shear
Operating Wavelength	442 to 676 nm
Operating Frequency	See Chart below
Window Configuration	AR Coated
Static Transmission	>95 %
Diffraction Efficiency	≥80 % per wavelength
Input Light Polarization	Linear, Horizontal (Parallel to acoustic propagation)
Input Beam Divergence	<1 mrad (solid angle)
Acoustic Aperture Size	≤ 2.5 mm
Resolution	35 Å @ 467 nm 40 Å @ 647 nm
Deflection Angle (with respect to incident light)	1.3° (wavelength insensitive)
Drive Power Per Wavelength	0.1 watt nominal
Total Power for All Wavelength	0.8 watt maximum
Impedance	50 ohm nominal
VSWR	≤2:1
Housing	53B00592
Housing with 72000 Bragg Mount	53B1827
Operating Manual: 51A05418	Acceptance Test Procedure: 42A8873 Acceptance Test Results form: 52A7132
Recommended Drivers:	
Eight Channel:	PCAOM Driver System: 64040-75-.1-8CH-16B PCAOM Driver Module: 64040-75-.1-8CH-16MB
Four Channel:	PCAOM Driver System: 64040-75-.1-4CH-5 PCAOM Driver Module: 64040-75-.1-4CH-5M

Driver Frequency @ Specified Wavelength

<u>PARAMETER</u>	<u>SPECIFICATION</u>
Wavelength (nm)	Frequency (MHz)
442	82.69
457*	78.19
465*	76.29
472*	74.67
476*	73.85
482	72.51
488*	71.38
496*	69.69
501*	68.70
514*	66.39
520*	65.32
525	64.50
528*	64.04
530*	63.75
532	63.51
543	61.84
561	59.23
568*	58.35
575*	57.50
632*	51.10
635	50.91
647*	49.72
650	49.46
676*	47.17

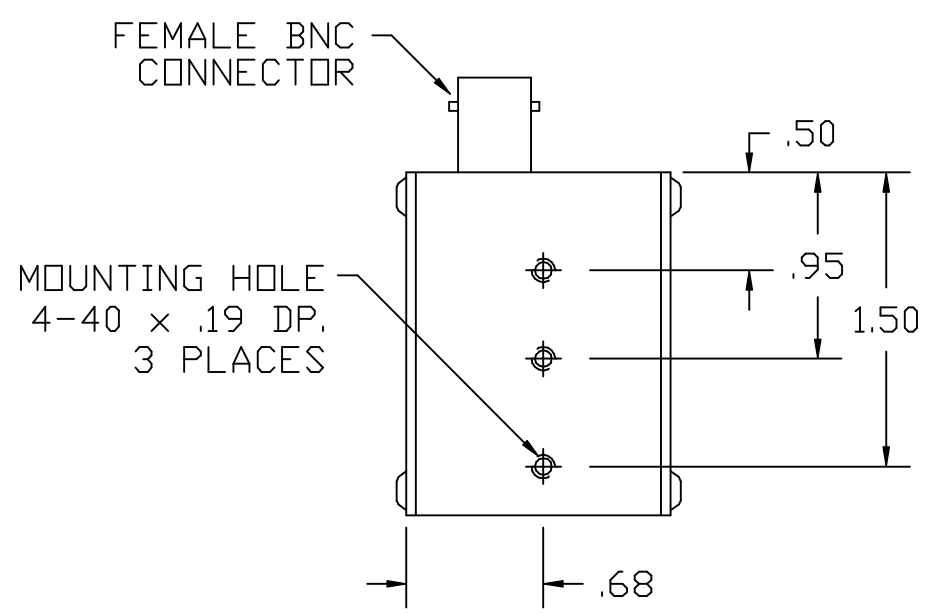
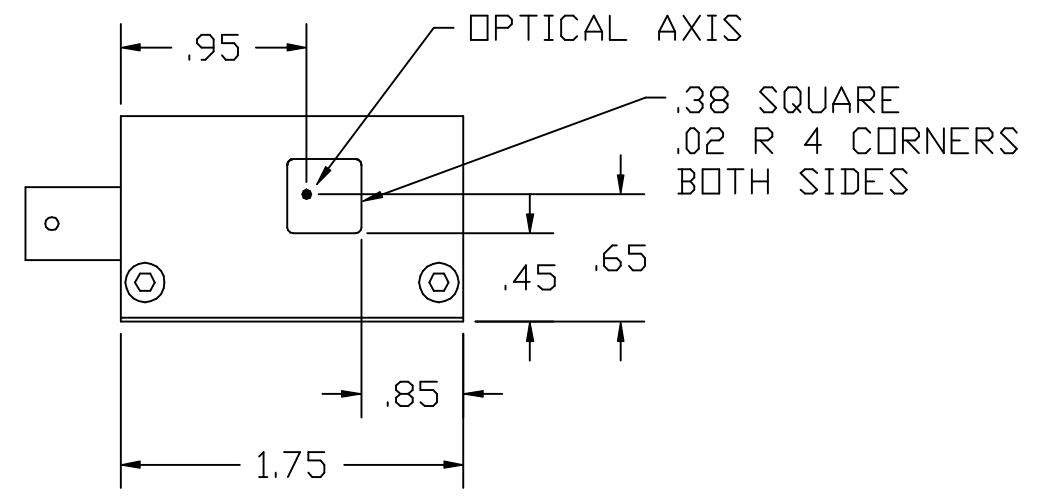
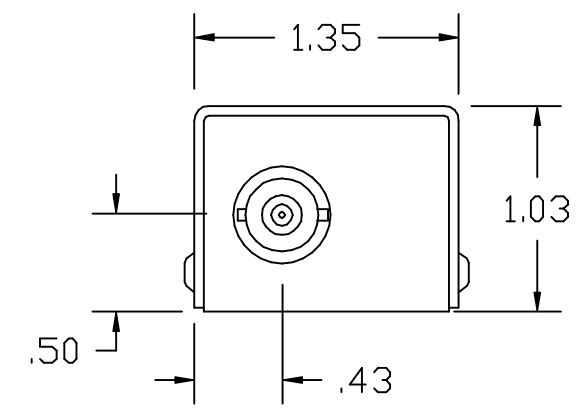
* NEOS Driver Standard Settings.

Data for other wavelengths are available.

For More Information, Contact: **neos@neostech.com** **Ph. (321) 242-7818** **Fax (321) 242-1019**

REVISIONS			
REV.	DESCRIPTION	DATE	APPROVED
A	CHANGE PER ECO 58A8747	11/5/96	G.K.

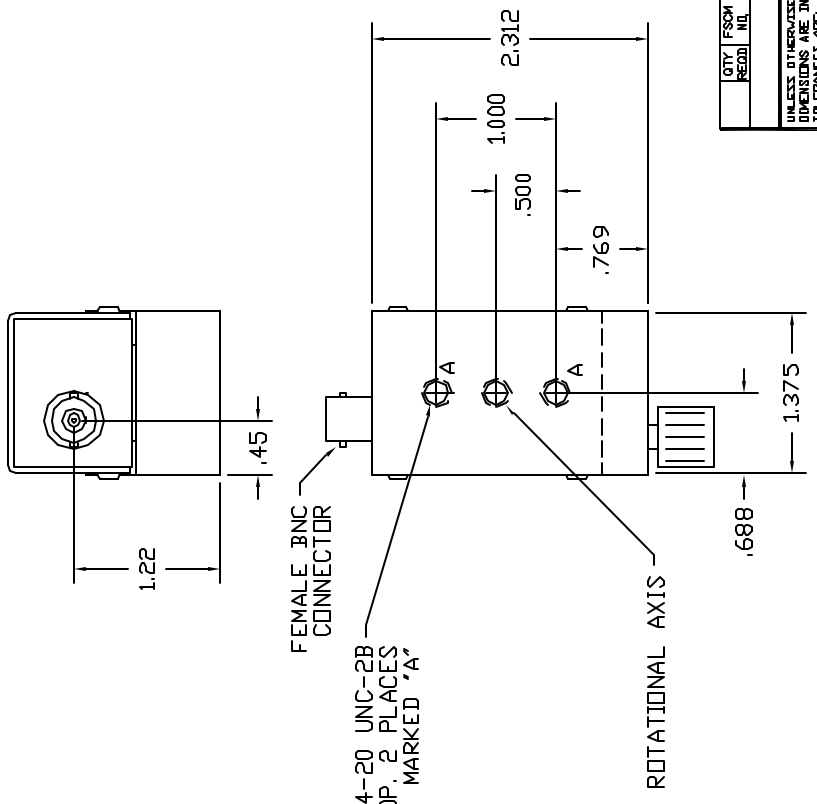
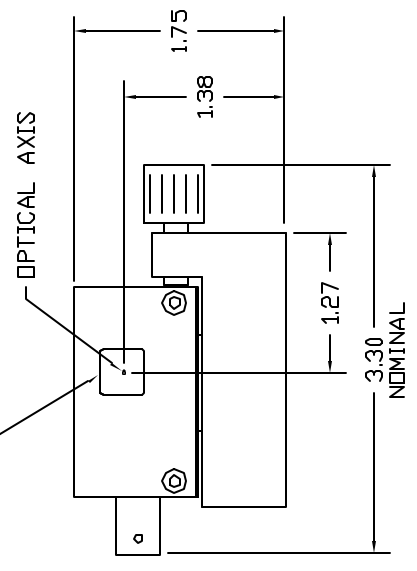
NOTES: UNLESS OTHERWISE SPECIFIED



QTY REQD	FSCM NO.	PART OR IDENTIFYING NO.	NOMENCLATURE OR DESCRIPTION	MATERIAL SPECIFICATION
PARTS LIST				
UNLESS OTHERWISE SPECIFIED DIMENSIONS ARE IN INCHES TOLERANCES ARE:		CONTRACT NO.		NEOS
FRACTIONS ±	DECIMALS .XX ± .02 .XXX ±	ANGLES ±	APPROVALS	
MATERIAL	FINISH		DATE	OUTLINE DWG, N23080-3
			4/27/93	
NEXT ASSY	USED ON	DO NOT SCALE DRAWING	ISSUED E.Y. 11/5/96	SIZE B
APPLICATION				FSCM NO.
				DWG. NO. 53B00592
				REV. A
				SCALE 1/1 FILE 53B0592A SHEET 1 OF 1

REVISIONS		
REV.	DESCRIPTION	DATE

.38 SQUARE OPTIC WINDOW



QTY	FSCM	PART OR	NOMENCLATURE	MATERIAL
REQD	NO.	IDENTIFYING NO.	OR DESCRIPTION	SPECIFICATION
PARTS LIST				
CONTRACT NO.				
UNLESS OTHERWISE SPECIFIED DIMENSIONS ARE IN INCHES TOLERANCES ARE DECIMALS ANGLES IN DEGREES UNLESS OTHERWISE SPECIFIED				
MATERIAL				
FINISH				
DO NOT SCALE DRAWING				
APPLICATION				
NEXT ASSY				
USED IN				
DATE				
DRAWN CARBONELL				
CHECKED CMC				
ISSUED EY				
1/6/99				
1/6/99				
1/6/99				
OUTLINE DWG, N48062				
ON N72000 BASE				
SIZE FSCM NO.				
B				
DWG. NO. 53B1827				
REV.				
SCALE				
SHEET 1 OF 1				

NEOS