



NEOS TECHNOLOGIES

A Gooch & Housego Company

DEVICE SPECIFICATIONS

MODEL NUMBER:

26055-1-1.55-LTD-3FO

DOCUMENT NUMBER: 56A05409G

| <u>PARAMETER</u> | <u>SPECIFICATION</u> |
|-----------------------------------|--|
| Interactive Material | AMTIR |
| Acoustic Mode | Longitudinal |
| Operating Wavelength | 1550 nm |
| Window Configuration | AR Coated |
| Operating Frequency | 55 MHz |
| Insertion loss* (Maximum) | 3.5 dB (0 order) Port 1 to 2 4 dB (1 st order) Port 1 to 3 |
| Light Polarization | Random |
| Polarization Dependent Loss | <0.15 dB |
| Contrast Ratio | 16 dB (0 order) Port 1 to 2 50 dB (1 st order) Port 1 to 3 |
| Crosstalk (Typical) | -50 dB Port 2 to 3 |
| Rise Time | 100 ns Maximum |
| RF Power Level | <1 Watt |
| Impedance | 50 Ohms |
| VSWR | <1.2:1 @ 55 MHz |
| Package: | 53D3700 |
| Connector Type: | FC/PC Standard, FC/APC or others optional |
| Fiber Type: | Single Mode Fibers, 9/125 |
| Operating Manual: | 51A06366 |
| Acceptance Test Procedure: | 42A15063 |
| Acceptance Test Results form: | 52A14091 |
| Recommended Driver: | |
| Analog System Driver: 21055-0.4AS | Digital System Driver: 21055-0.4DS |
| Analog Module Driver: 21055-0.4AM | Digital Module Driver: 21055-0.4DM |

* Not including loss at FC/PC connector interfaces

For More Information, Contact: neos@neostech.com **Ph. (321) 242-7818** **Fax (321) 242-1019**

CONTROLS AND CONNECTIONS

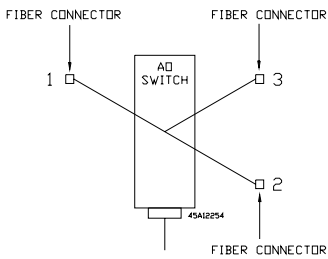
BNC Connector:

RF Input 55 MHz @ < 0.5 Watt

FC/PC Connectors

X 3 port 1, 2, 3

SCHEMATIC:



45A12254

LOGIC:

RF ON: low loss path:

port 1 to port 3
port 3 to port 1
port 1 to 2

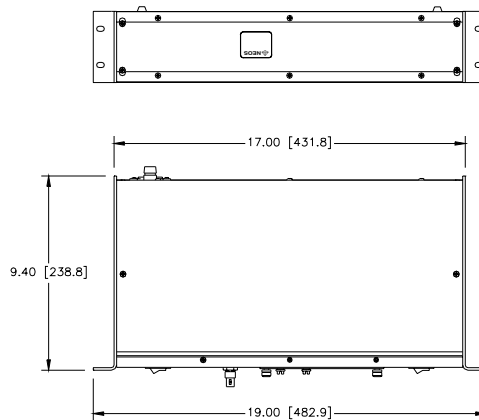
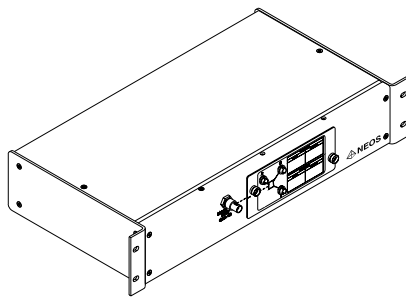
Light Frequency Shift
up shifted by 55 MHz
up shifted by 55 MHz
residual light un-shifted

RF OFF low loss path:

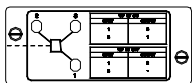
port 1 to port 2
port 2 to port 1
port 1 to port 3

no shift
no shift
maximum contrast

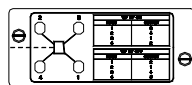
**OUTLINE
DRAWING:**



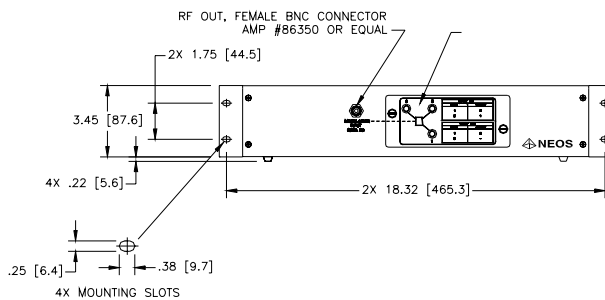
CONNECTOR PLATE OPTIONS



26055-1-1.55-LTD-3FO WITH FC CONNECTORS AND 14B3477 CONNECTOR PLATE



26055-1-1.55-LTD-4FO WITH FC CONNECTORS AND 14B2730 CONNECTOR PLATE



Dimensions are in inches
Dimensions in [] are in mm.

Tolerances: Decimal: .xx = .01 .xxx = .005
Millimeter: .xx = .25mm .xxx = .127mm
Angle: = ± 30'

53D3700