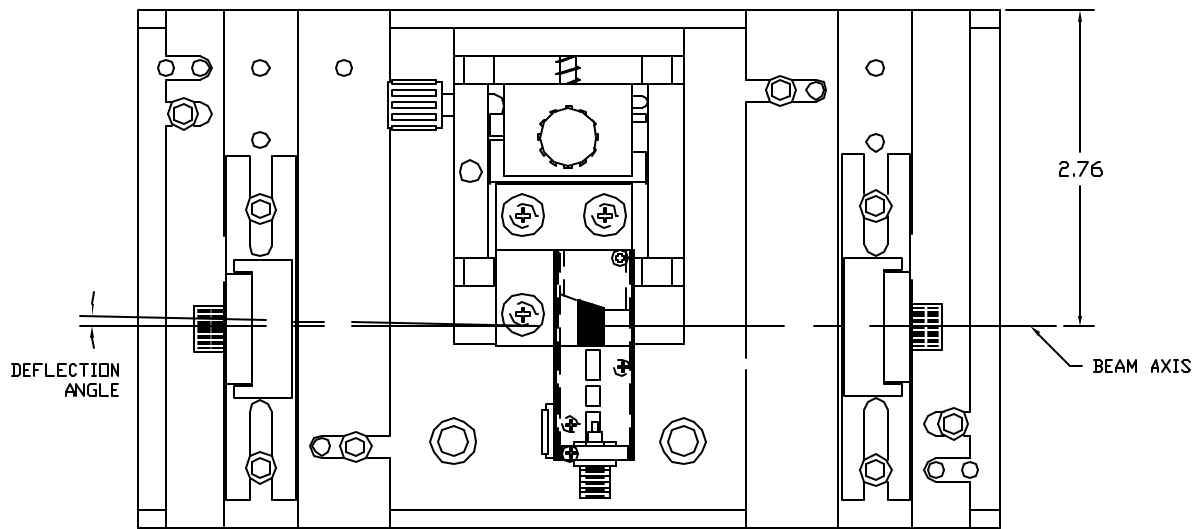
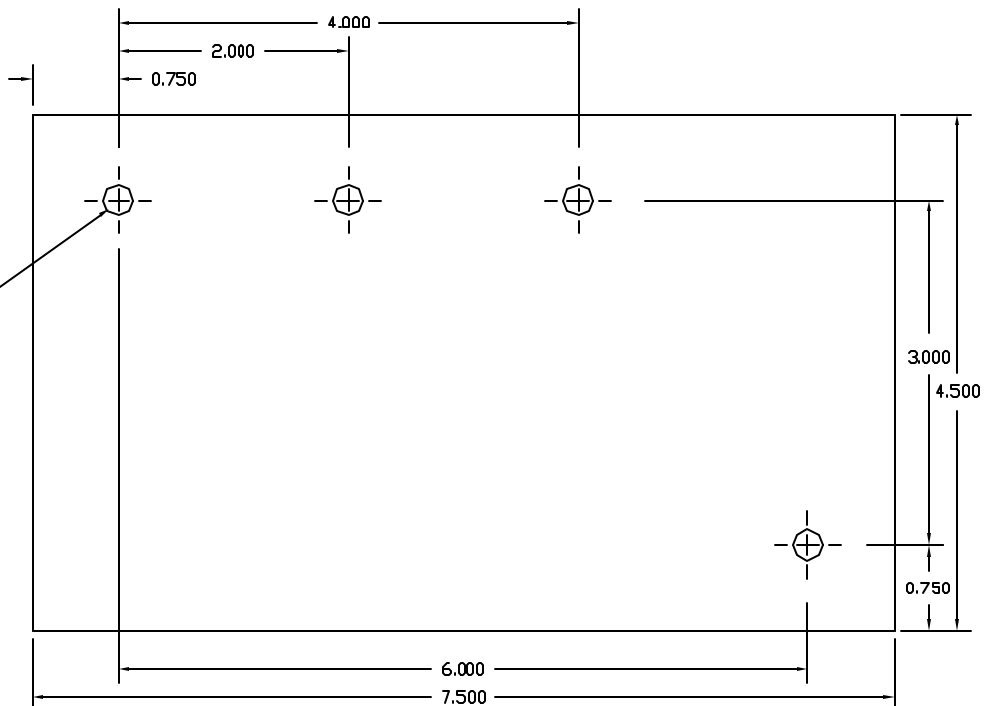
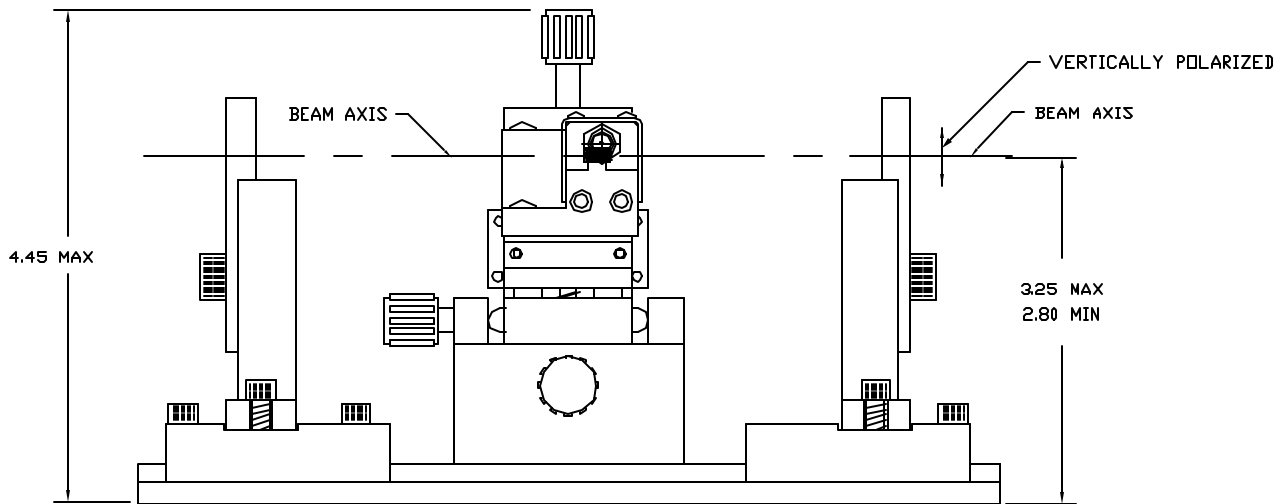


71013 WITH 35250-.2-.53-XQ



FEMALE BNC CONNECTOR



MOUNTING HOLES
0.270 DIA. THRU
4 PLS.
NOTE: TWO CORNER
MOUNTING HOLES
ARE NOT
ACCESSABLE ONCE
MOUNT IS FULLY
ASSEMBLED