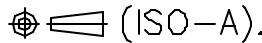
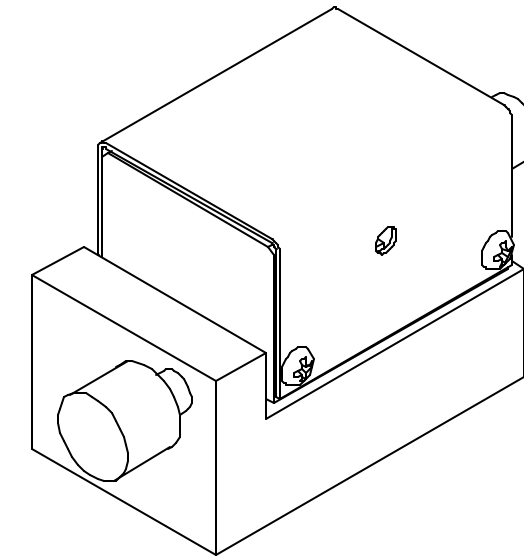
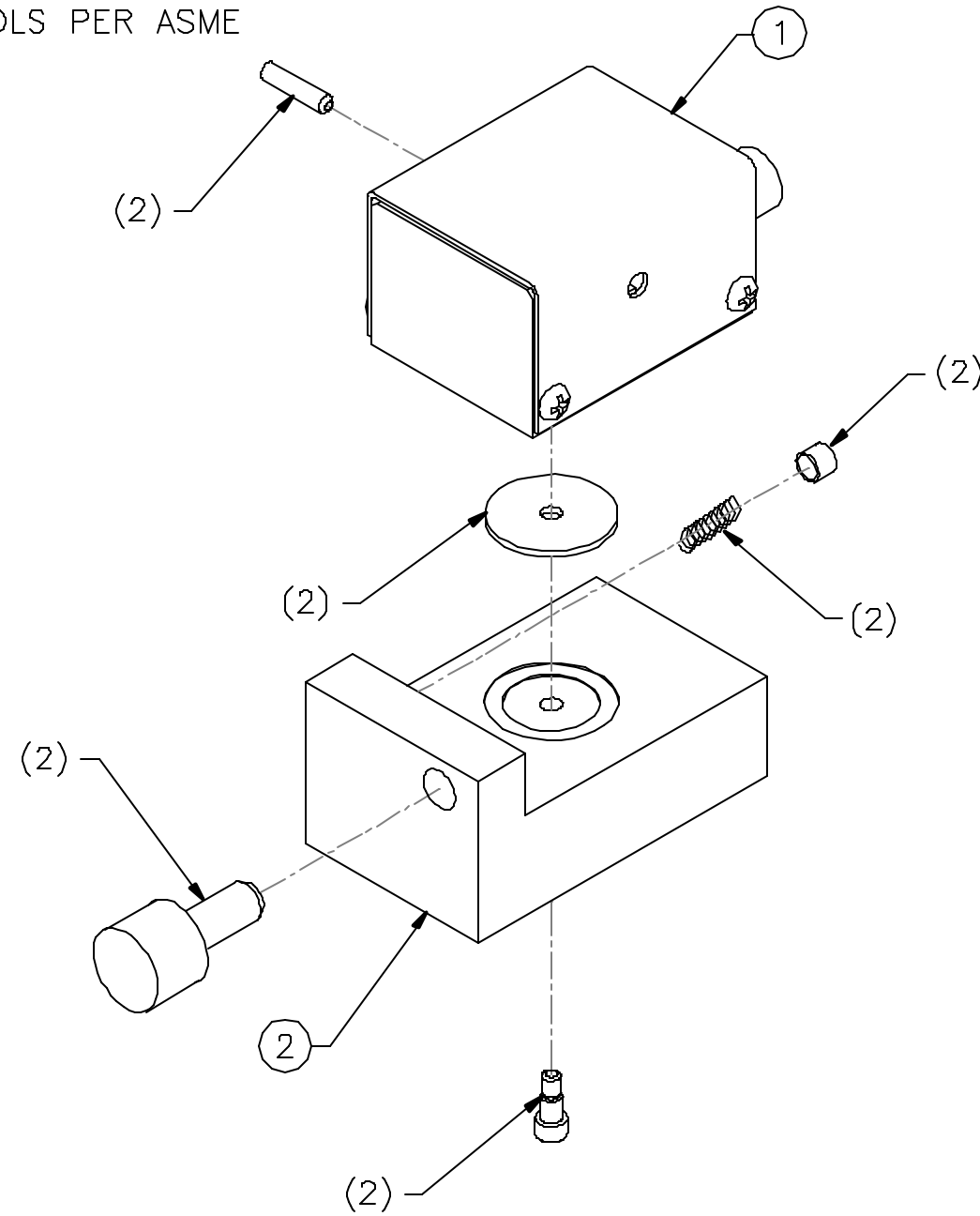



NOTES: UNLESS OTHERWISE SPECIFIED

1. DRAWING PREPARED IN ACCORDANCE WITH MIL-STD-100.
2. INTERPRET 3RD ANGLE PROJECTION.
 (ISO-A).
3. DIMENSIONING AND SYMBOLS PER ASME Y14.5M-1994.

REVISIONS				
ZONE	REV.	DESCRIPTION	CHNG / DATE	APVD / DATE



FOR SEPARATE PARTS LIST SEE PL12D3776

		MATERIAL	UNLESS OTHERWISE SPECIFIED DIMENSIONS ARE IN INCHES. DIMENSIONS AND VALUES IN BRACKETS ARE METRIC. TOLERANCES ARE: DECIMALS: INCHES MILLIMETERS .XX ± [±] .XXX ± [±] ANGLES: ± SURFACE ROUGHNESS: ✓ REMOVE ALL BURRS AND SHARP EDGES. DIM. AND SURFACE ROUGHNESS APPLY AFTER COATING.	APPROVALS	DATE	 4005 OPPORTUNITY DRIVE MELBOURNE, FL 32834 (321) 242-7818 FAX: (321) 242-1018
		FINISH		DRAWN BY: S. MORRIS CHECKED BY: R. HAYES ENGINEERING:	11/29/05 11/30/05	
NEXT ASSY	USED ON			APPROVED:	12/01/05	SIZE D DWG NO. 12D3776 SCALE NONE FILE 12D3776 SHEET 1 OF 1
APPLICATION		DO NOT SCALE DRAWING		CMC		