
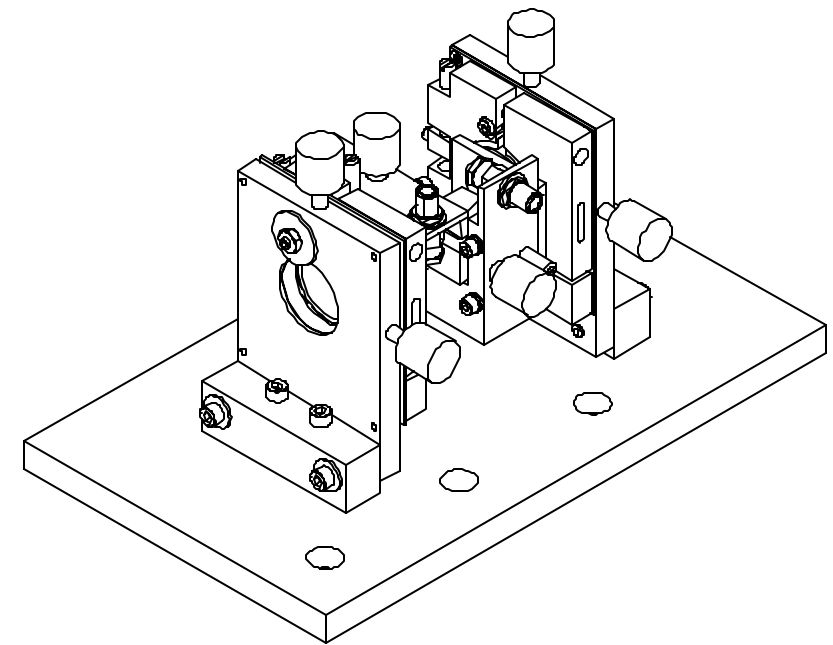
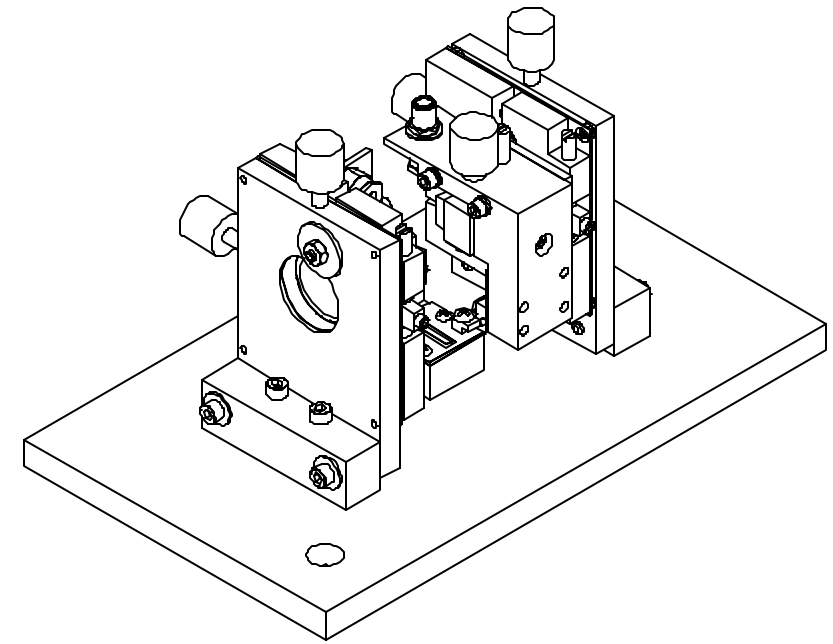
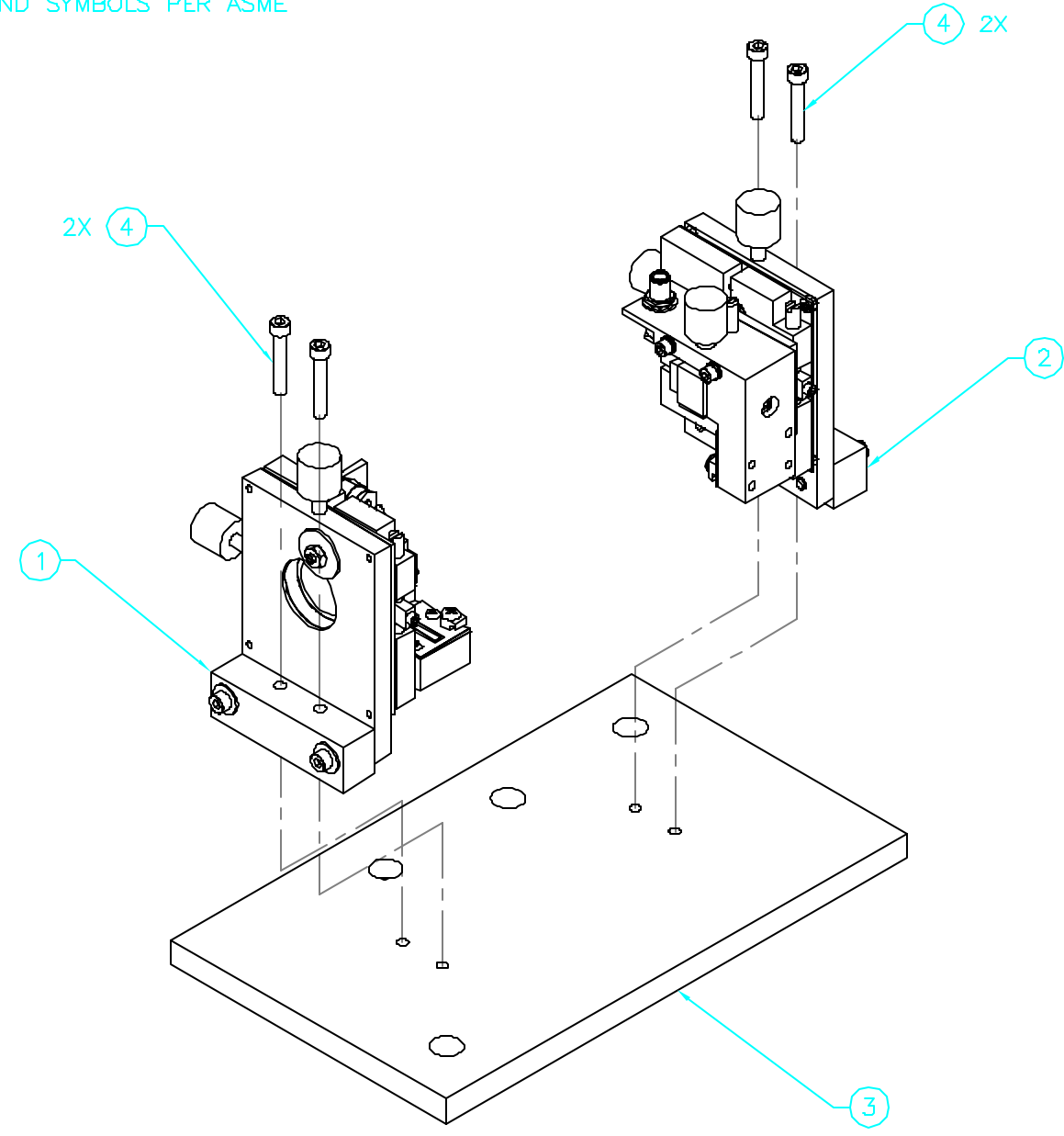



1 | 2 | 3 | 4 | 5 | 6

REVISIONS					
ZONE	REV.	DESCRIPTION	CHNG / DATE	APVD / DATE	

- NOTES: UNLESS OTHERWISE SPECIFIED**
- DRAWING PREPARED IN ACCORDANCE WITH MIL-STD-100.
  - INTERPRET 3RD ANGLE PROJECTION.  
 (ISO-A).
  - DIMENSIONING AND SYMBOLS PER ASME Y14.5M-1994.



FOR SEPARATE PARTS LIST SEE PL12D1916

		MATERIAL	UNLESS OTHERWISE SPECIFIED DIMENSIONS ARE IN INCHES TOLERANCES ARE: DECIMALS: MILLIMETER: .XX ± .01 ± [.25mm] .XXX ± .005 ± [.127mm] ANGLES: ± 30' SURFACE ROUGHNESS 63 ✓ REMOVE ALL BURRS AND SHARP EDGES DIM. AND SURFACE ROUGHNESS APPLY AFTER COATING	APPROVALS	DATE	 4300-C FORTUNE PLACE MELBOURNE, FL 32904 (321)676-9020 FAX: (321)722-4489
		FINISH		DRAWN BY: C. RIVENES CHECKED BY: ENGINEERING: WS APPROVED: CMC	1/05/01  1/9/01  1/9/01	
		NEXT ASSY	USED ON			REV.
		APPLICATION		DO NOT SCALE DRAWING		SHEET 1 OF 1

1 | 2 | 3 | 4 | 5 | 6