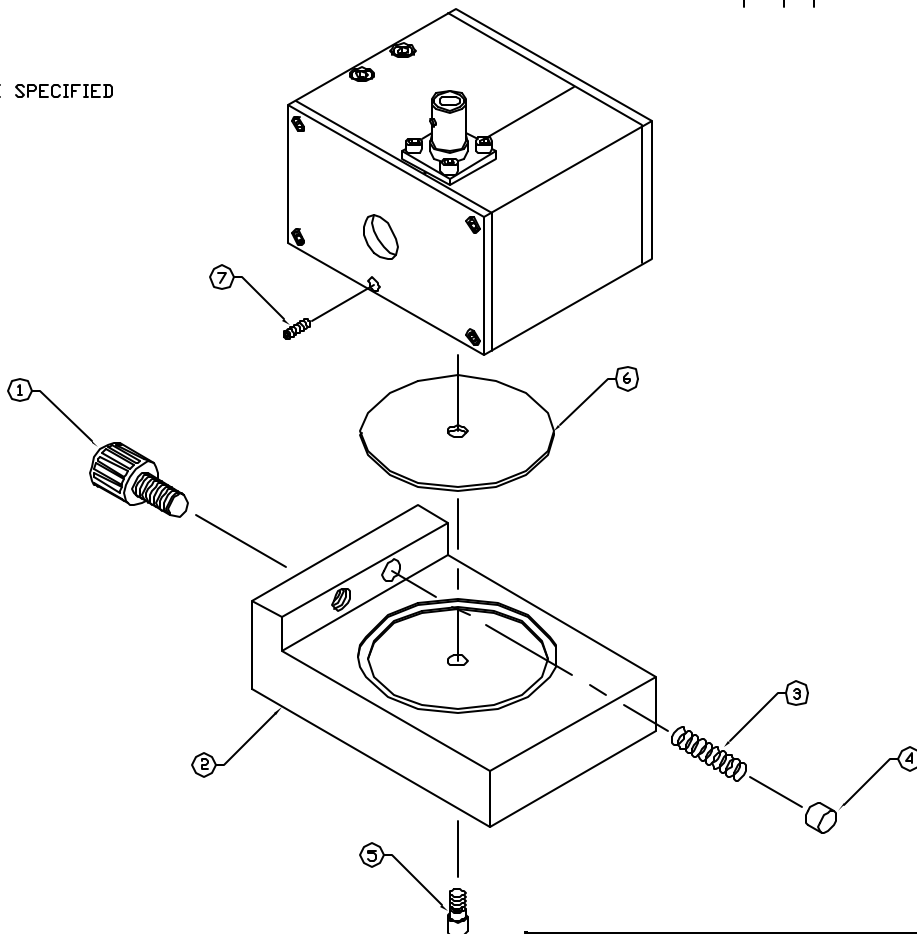


REVISIONS				
DATE	REV.	DESCRIPTION	DATE	APPROVED

NOTES: UNLESS OTHERWISE SPECIFIED



CITY	FISH	PART OR	NOMENCLATURE		MATERIAL
REC'D	NO.	IDENTIFYING NO.	OR DESCRIPTION		SPECIFICATION
PARTS LIST					
UNLESS OTHERWISE SPECIFIED DIMENSIONS ARE IN INCHES TOLERANCES ARE: FRACTIONS DECIMALS ANGLES		CONTRACT NO.		NEWPORT ELECTRO-OPTICS SYSTEMS	
MATERIAL		APPROVALS	DATE	TOP ASSEMBLY, N72005	
NEXT ASSY	ISSN IN	DRAWN PL. SHANNON/HEWES	L/REV/NO.	SIZE 1/2"	FISH NO.
FINISH		CHECKED	DATE	DWG. NO.	REV.
APPLICATION		3D NET SCALE DRAWING	ISSUED	SCALE	FILE
				1/1	12C00509
					SHEET 1 OF 1